

# YIC Quartz Crystal Unit (XT532/534 Series)

XT532,XT534 Series: SMD Crystal 5x3.2 2pad & 4pad

8.000 - 125.000MHz

● SPECIFICATION

|                       |   |
|-----------------------|---|
| Type                  | XT532 & XT534   |
| Frequency Range       | 8.000 - 125.000MHz  |
| Frequency Tolerance   | ± 10 , 20 , 30 PPM ( at 25°C )                                  |
| Frequency Stability   | ± 10 , 20 , 30 PPM ( Ref. to 25°C )                             |
| Operation Temperature | -10°C ~ +70°C Typical   |
| Storage Temperature   | -40°C ~ +85°C   |
| Load Capacitance      | Series,9pF,10pF,12pF,15pF,18pF,20pF,30pF or Special requirement |
| Drive Level           | 15,30,50,100,200,500 μW or Special requirement                  |
| Series Resistance     | See below   |
| Shunt Capacitance     | 7pF max   |
| Aging                 | ±3PPM/year  |

● EQUIVALENT SERIES RESISTANCE

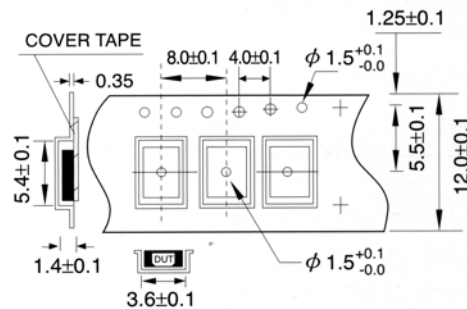
XT534

| Frequency (MHz)     | ESR (Ω)  |
|---------------------|----------|
| Fundamental         |          |
| 8.000 - 12.000MHz   | 100 max. |
| 12.001 - 20.000MHz  | 40 max.  |
| 20.001 - 30.000MHz  | 40 max.  |
| 30.001 - 40.000MHz  | 40 max.  |
| 40.001 - 48.000MHz  | 40 max.  |
| 3rd Overtone        |          |
| 40.000 - 60.000MHz  | 120 max. |
| 60.000 - 100.000MHz | 80 max.  |

XT532

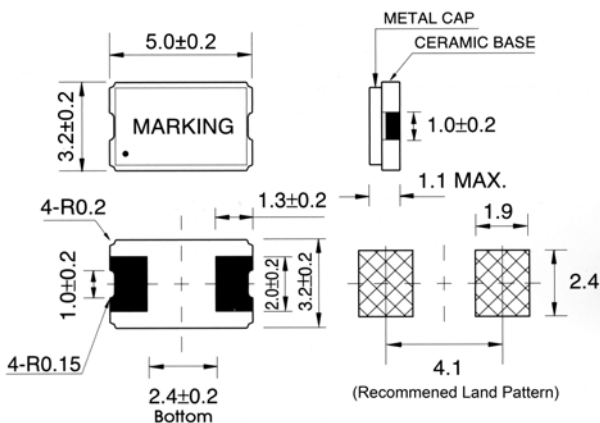
| Frequency (MHz)    | ESR (Ω)  |
|--------------------|----------|
| Fundamental        |          |
| 8.000 - 40.000MHz  | 100 max. |
| 40.000- 100.000MHz | 120 max. |

● TAPE SPECIFICATION(mm)



● DIMENSIONS(mm)

XT 532



XT 534

