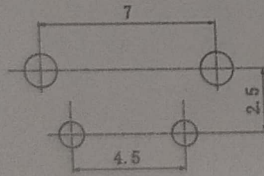
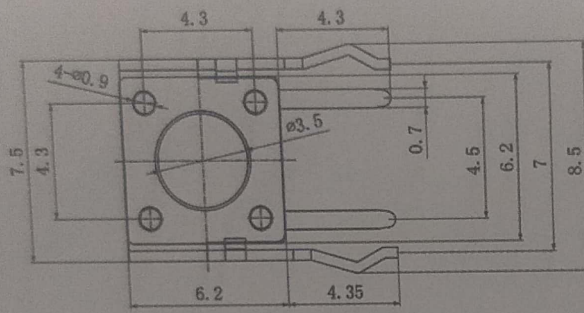
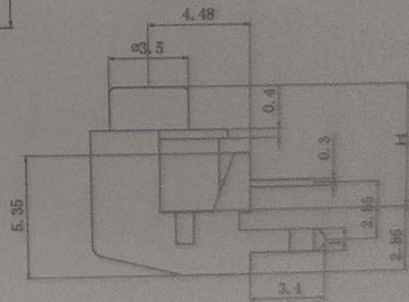
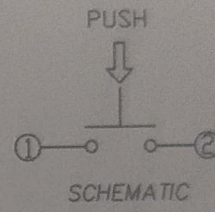




TS66HZJ



Recommended P.C.B layout



(H)
4.3
5.0
6.0
...
12.0