



SDR104 SERIES – SMD POWER INDUCTORS



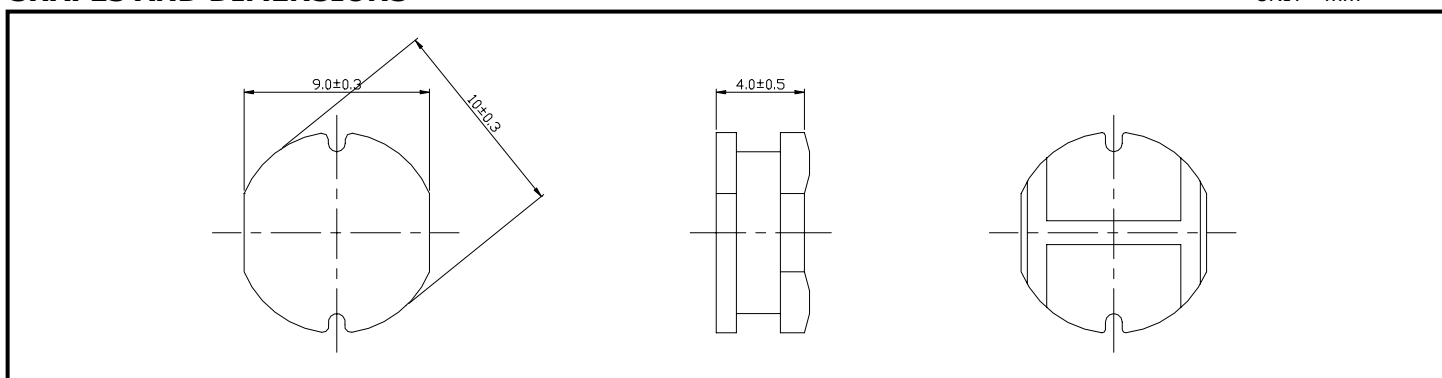
RoHS Compliant

PART NUMBERING SYSTEM

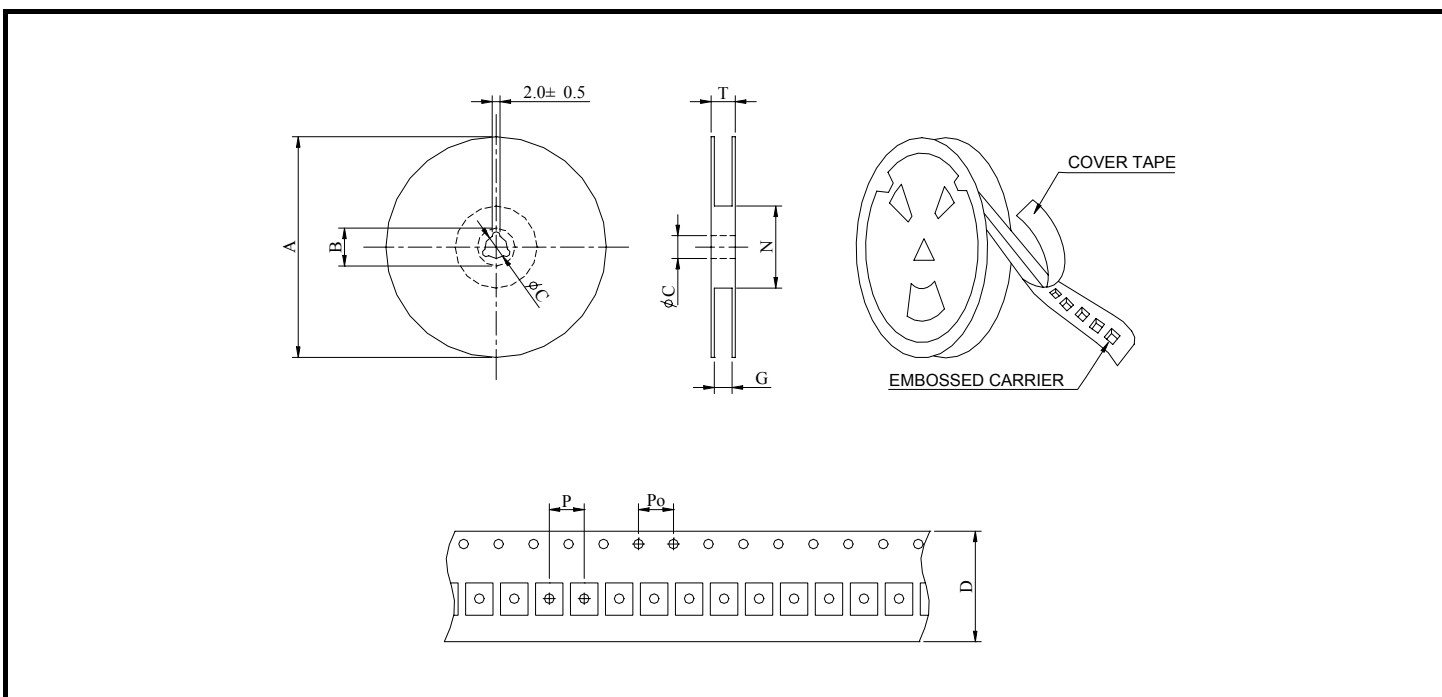
SDR	104	—	100M	—	LF
TYPE	DIMENSIONS		INDUCTANCE		LEAD FREE

SHAPES AND DIMENSIONS

UNIT : mm



PACKAGING SPECIFICATION



SERIES	STAYLE	Q' TY (PCS)	DIMENSIONS (m/m)								
			A	B±0.8	C±0.5	D	G ⁺⁰	N ⁻⁰	P	Po	T
SDR104	13-24	500	330	21	13	24	26	50	12	4	30.4



SDR104 SERIES – SMD POWER INDUCTORS



RoHS Compliant

SPECIFICATION TABLE

PART NUMBER	INDUCTANCE (μ H)	DCR (Ω) (Max.)	IDC (A) (Max.)	TEST FREQ. (MHz)
SDR104-100M-LF	10 \pm 20%	0.05	2.38	2.52
SDR104-120M-LF	12 \pm 20%	0.06	2.13	2.52
SDR104-150M-LF	15 \pm 20%	0.07	1.87	2.52
SDR104-180M-LF	18 \pm 20%	0.08	1.73	2.52
SDR104-220M-LF	22 \pm 20%	0.09	1.60	2.52
SDR104-270M-LF	27 \pm 20%	0.10	1.44	2.52
SDR104-330M-LF	33 \pm 20%	0.12	1.26	2.52
SDR104-390M-LF	39 \pm 20%	0.15	1.20	2.52
SDR104-470M-LF	47 \pm 20%	0.17	1.10	2.52
SDR104-560K-LF	56 \pm 10%	0.20	1.01	2.52
SDR104-680K-LF	68 \pm 10%	0.22	0.91	2.52
SDR104-820K-LF	82 \pm 10%	0.25	0.85	2.52
SDR104-101K-LF	100 \pm 10%	0.34	0.74	1KHz
SDR104-121K-LF	120 \pm 10%	0.40	0.69	1KHz
SDR104-151K-LF	150 \pm 10%	0.54	0.61	1KHz
SDR104-181K-LF	180 \pm 10%	0.62	0.56	1KHz
SDR104-221K-LF	220 \pm 10%	0.72	0.53	1KHz
SDR104-271K-LF	270 \pm 10%	0.95	0.45	1KHz
SDR104-331K-LF	330 \pm 10%	1.10	0.42	1KHz
SDR104-391K-LF	390 \pm 10%	1.24	0.38	1KHz
SDR104-471K-LF	470 \pm 10%	1.53	0.35	1KHz
SDR104-561K-LF	560 \pm 10%	1.90	0.32	1KHz

- DC current at which the inductance drops 10% (typ) from its value without current.
- Operating temperature range -40°C to +125°C.
- Electrical specifications at 25°C.
- Packing : 13" reel, machine-ready ,embossed plastic tape (500 parts per full reel).