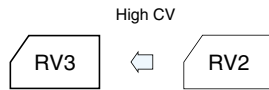


### Chip Type 85°C Capacitors (height:5.5mm,8.0mm) Series RV3

- Compatible with surface mounting for 5.5mm, 8.0mm high capacitors.
- Supplied with carrier taping.
- Guarantees 2000 hours at 85°C.



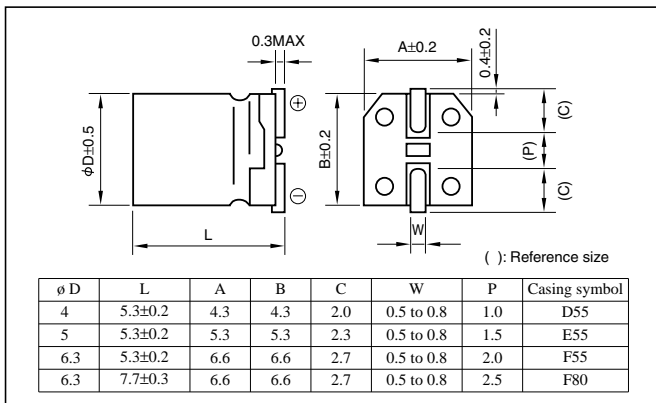
Marking color : Black print

#### Specifications

Item	Performance								
Category temperature range (°C)	-40 to +85								
Tolerance at rated capacitance (%)	±20 (20°C, 120Hz)								
Leakage current (µA)	Less than 0.01CV or 3 whichever is larger(after 2 minutes) C: Rated capacitance(µF); V: Rated voltage(V) (20°C)								
Tangent of loss angle (tanδ)	Rated voltage (V)	6.3	10	16	25	35	50		
	tanδ (max.)	0.42	0.32	0.26	0.18	0.14	0.12	(20°C, 120Hz)	
Characteristics at high and low temperature	Impedance ratio (max.)	Rated voltage (V)	6.3	10	16	25	35	50	
		Z-25°C / Z+20°C	4	3	2	2	2	2	(120Hz)
		Z-40°C / Z+20°C	8	8	5	5	4	4	
Endurance (85°C) (Applied ripple current)	Test time	2000 hours							
	Leakage current	The initial specified value or less							
	Percentage of capacitance change	Within ±30% of initial value							
	Tangent of the loss angle	300% or less of the initial specified value							
Shelf life (85°C)	Test time : 1000 hours; other items are the same as those for the endurance. Voltage application treatment : According to JIS C5101-1								
Applicable standards	JIS C5101-1, -18 1998 (IEC 60384-1 1992, -18 1993)								

#### Outline Drawing

Unit: mm



#### Coefficient of Frequency for Rated Ripple Current

Rated voltage(V)	Frequency(Hz)			
	50	120	1k	10k · 100k
6.3 to 16	0.80	1	1.15	1.25
25 to 35	0.80	1	1.25	1.40
50	0.70	1	1.35	1.50

#### Part numbering system (example: 16V220µF)

Environmental item	RV3	—	16	V	221	M	F80	□	U	□
	Series code		Rated voltage symbol		Rated capacitance symbol	Capacitance tolerance symbol	Casing symbol	Additional symbol		Taping symbol
Former item	RV3	—	16	V	221	M	F80	□	—	□
	Series code		Rated voltage symbol		Rated capacitance symbol	Capacitance tolerance symbol	Casing symbol	Additional symbol		Taping symbol

- Soldering conditions and land size are described on page 14.
- The taping specifications are described on page 15.

#### Standard Ratings

Rated voltage(V)	6.3			10			16			25			35			50		
	Case	ESR	Rated ripple current	Case	ESR	Rated ripple current	Case	ESR	Rated ripple current	Case	ESR	Rated ripple current	Case	ESR	Rated ripple current	Case	ESR	Rated ripple current
Rated capacitance(µF)	φ D(mm)	Ω	mArms	φ D(mm)	Ω	mArms	φ D(mm)	Ω	mArms	φ D(mm)	Ω	mArms	φ D(mm)	Ω	mArms	φ D(mm)	Ω	mArms
4.7	—	—	—	—	—	—	—	—	—	—	—	—	—	—	—	—	—	—
10	—	—	—	—	—	—	—	—	—	4x5.3	30	23	4x5.3	23	27	5x5.3	20	34
22	—	—	—	4x5.3	24	26	4x5.3	20	30	5x5.3	14	43	5x5.3	11	47	6.3x5.3	9.0	59
33	4x5.3	21	28	4x5.3	16	33	5x5.3	13	44	5x5.3	9.0	54	6.3x5.3	7.0	67	6.3x7.7	6.0	82
47	4x5.3	15	34	5x5.3	11	45	5x5.3	9.2	50	6.3x5.3	6.4	75	6.3x5.3	4.9	90	6.3x7.7	4.2	98
68	5x5.3	10	47	5x5.3	7.8	54	6.3x5.3	6.3	74	6.3x5.3	4.4	90	6.3x7.7	3.4	109	—	—	—
100	5x5.3	7.0	58	—	—	—	6.3x5.3	4.3	103	6.3x7.7	3.0	124	—	—	—	—	—	—
150	6.3x5.3	4.6	83	6.3x7.7	3.5	98	6.3x7.7	2.9	109	—	—	—	—	—	—	—	—	—
220	6.3x7.7	3.2	113	6.3x7.7	2.4	130	6.3x7.7	2.0	144	—	—	—	—	—	—	—	—	—
330	6.3x7.7	2.1	139	—	—	—	—	—	—	—	—	—	—	—	—	—	—	—

(Note) Rated ripple current : 85°C, 120Hz ; ESR : 20°C, 120Hz