

## SMD TYPE CERAMIC (SMD 5 x 3.2)



### Application of SMD crystal:

- Blue tooth
- PDA
- Notebook
- Digital camera
- MP3
- Wireless Lan

### {Features}

1.1mm thickness is equal to SMD-type IC  
 Excellent reliability and environment capability  
 High-density mounting-type SMD  
 Excellent vibration resistance & shock resistance



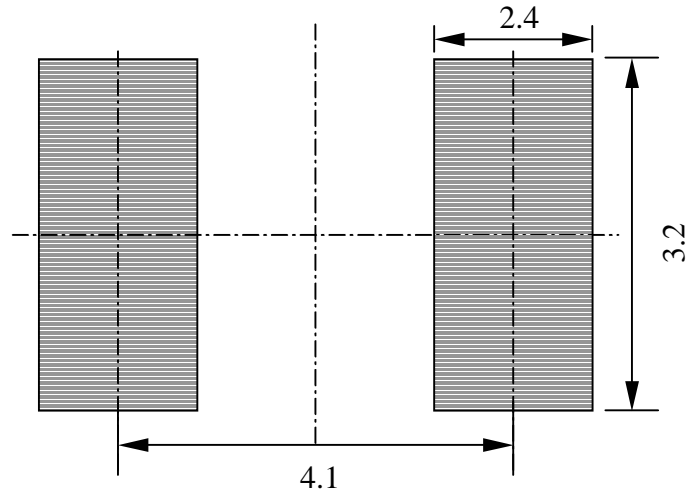
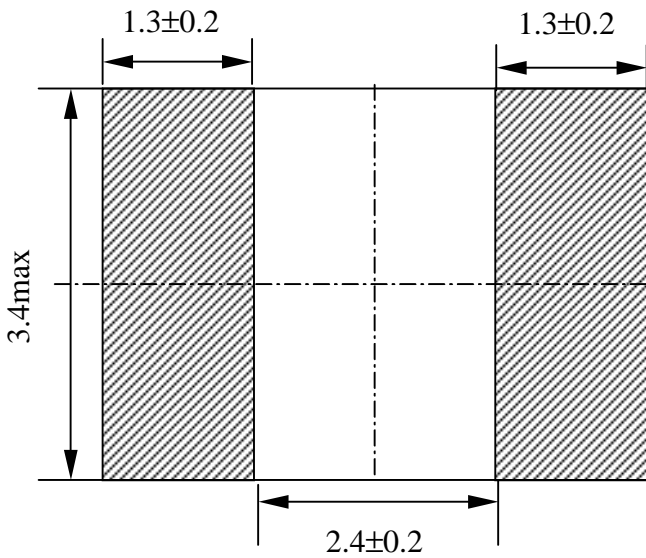
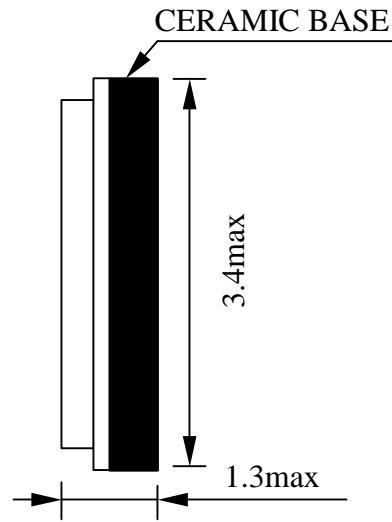
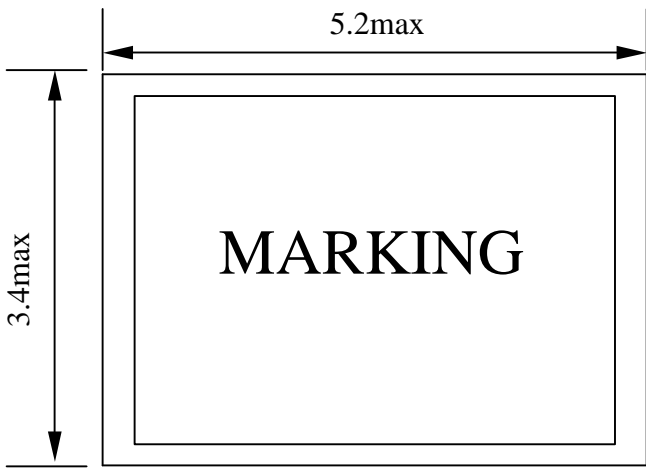
### Electrical Specification:

Model	NXH-53-AP2-SEAM
<b>1.Frequency</b>	
Frequency Range	13.0 ~ 52.000 MHz
Frequency Tolerance at 25 ℃ ± ℃	±0 ~ ±100 ppm (TYP.)
Frequency Stability Over Operating Temp Range	±0 ~ ±100 ppm (TYP.)
<b>2.Environmental Condition</b>	
Operating Temp Range	-10 ℃~ +60 ℃,-20 ℃~ +70 ℃ or customer requirement
Storage Temp Range	-40 ℃ ~ +85 ℃
Aging Rate	±1 ppm , ±2 ppm , ±3 ppm/year
<b>3.Electrical Specifications</b>	
Test Circuit	S&A 250B
Load Capacitance	6 pF ~ 32 pF, series or special
Drive Level	1uW ~ 100uW or special
Shunt Capacitance	7.0pF max

### Equivalent Series Resistance(ESR) VS Frequency:

Frequency (MHz)	Oscillation Mode	NXH-53-AP2-SEAM
13.0 ~ 25.0	Fundamental	80
25.1 ~ 52.0	Fundamental	50

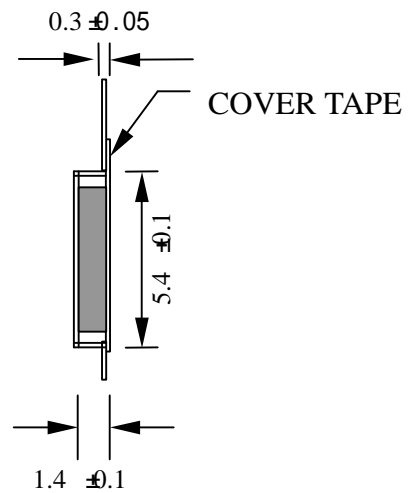
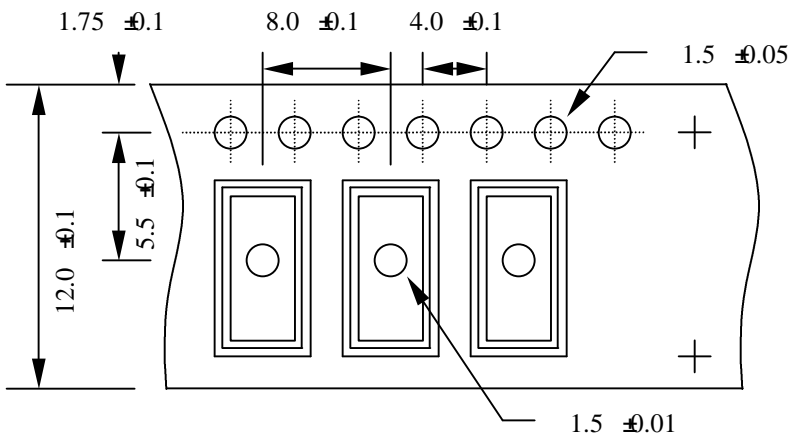
**Dimensions: (mm):**



<TOP VIEW>

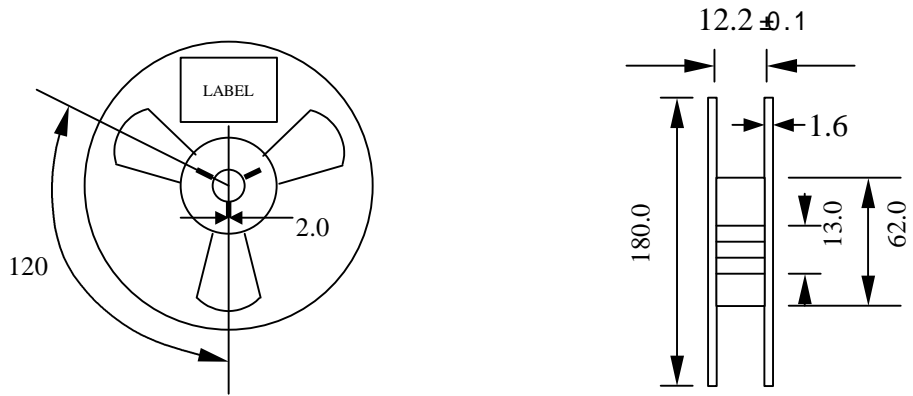
(Recommended Land Pattern)

**Tape specification: (mm)**



\* Above specification subject to change without prior notice, please consult our sales representative for more information @ [www.nsk.com.tw](http://www.nsk.com.tw)

## Reel packing: (mm)



## Reflow Temperature profile:

