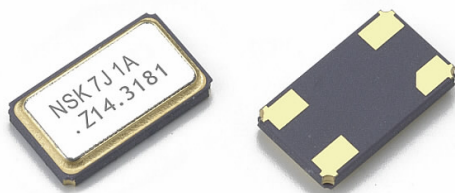


SMD TYPE CERAMIC (SMD 6 x 3.5)



Application of SMD crystal:

- Rodio communication
- TCXO
- Office automation equipment
- GPS
- Audio-visual equipment



{Features}

Seam welding
 Excellent solderability
 Automatic and perfect packing due to emboss taping
 Excellent vibration resistance & shock resistance
 Rohs compliant / Pb free

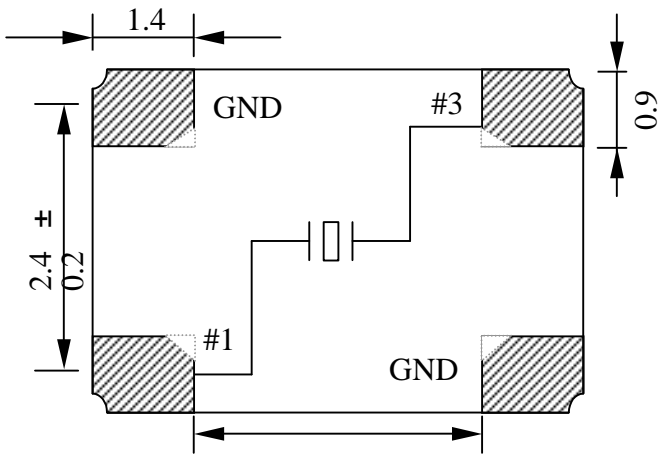
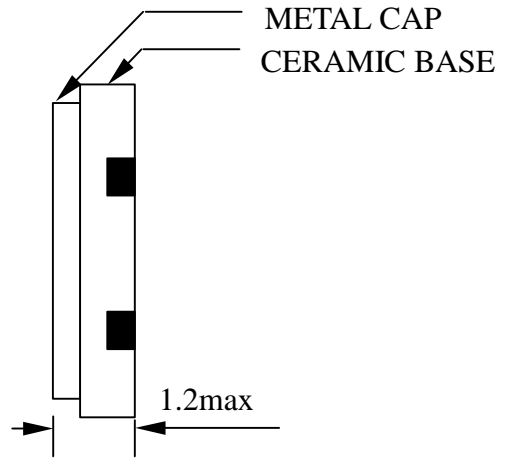
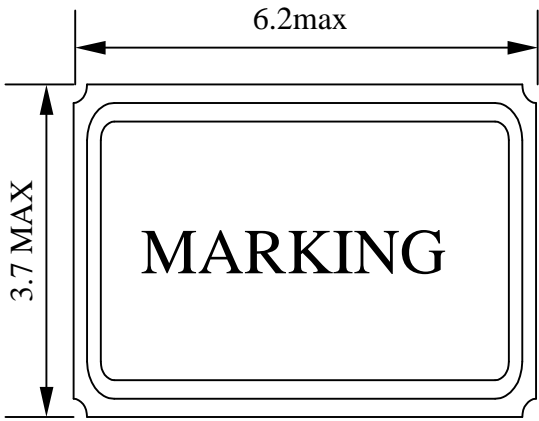
Electrical Specification:

Model	NXC-63
1.Frequency	
Frequency Range	10.0 ~ 125.000 MHz
Frequency Tolerance at 25 ℃ ± ℃	±0 ~ ±100 ppm (TYP.)
Frequency Stability Over Operating Temp Range	±0 ~ ±100 ppm (TYP.)
2.Environmental Condition	
Operating Temp Range	-10 ℃~ +60 ℃,-20 ℃~ +70 ℃ or customer requirement
Storage Temp Range	-40 ℃ ~ +85 ℃
Aging Rate	±3ppm/year
3.Electrical Specifications	
Test Circuit	S&A 250B
Load Capacitance	6 pF ~ 32 pF, series or special
Drive Level	1uW ~ 100uW or special
Shunt Capacitance	7.0pF max

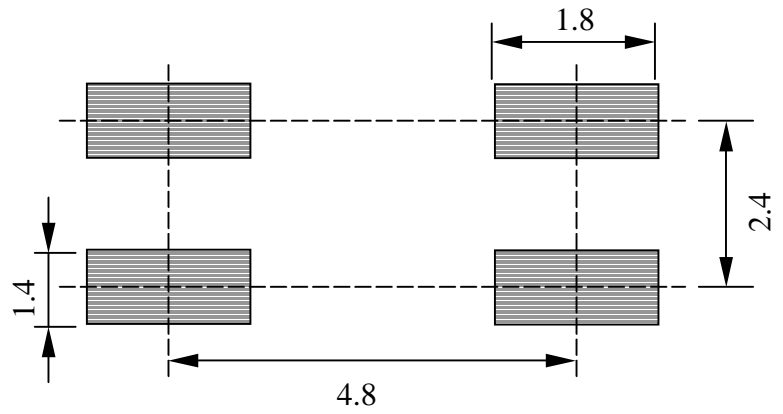
Equivalent Series Resistance(ESR) VS Frequency:

Frequency (MHz)	Oscillation Mode	NXC-63
10 ~ 12.0	Fundamental	80
12.1 ~ 25.0	Fundamental	60
25.1 ~ 52.0	Fundamental	40
45.1 ~ 125.0	3rd overtone	80

Dimensions (mm):

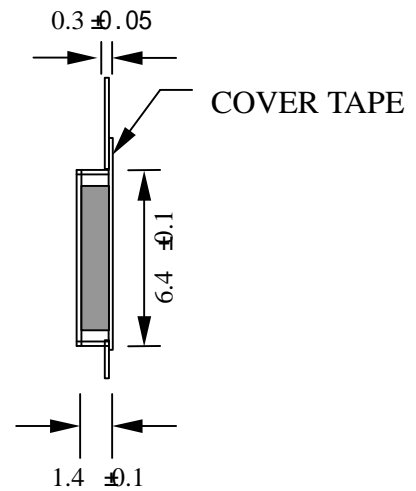
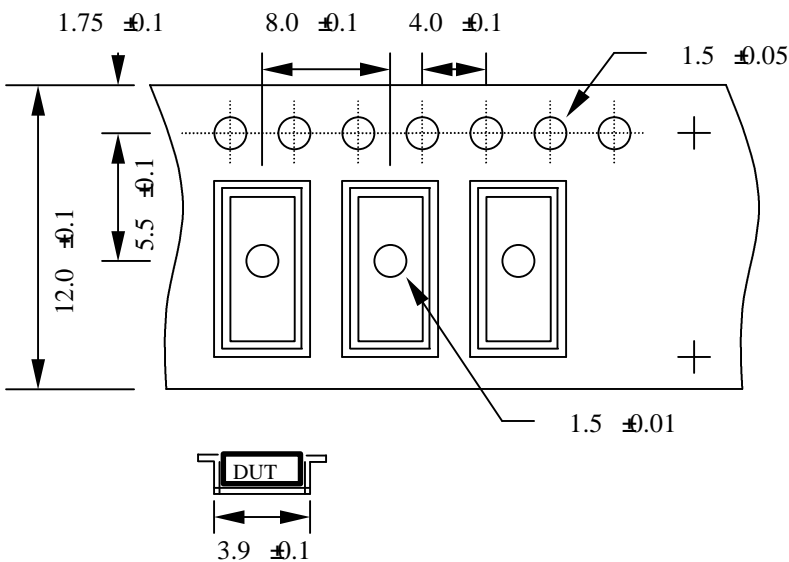


< TOP VIEW >



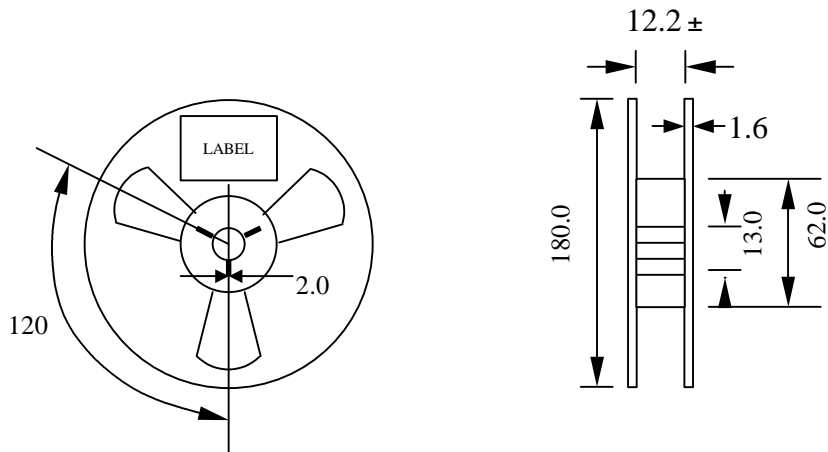
(Recommended Land Pattern)

Tape specification: (mm)



* Above specification subject to change without prior notice, please consult our sales representative for more information @ www.nsk.com.tw

Reel packing (mm):



Reflow Temperature profile:

