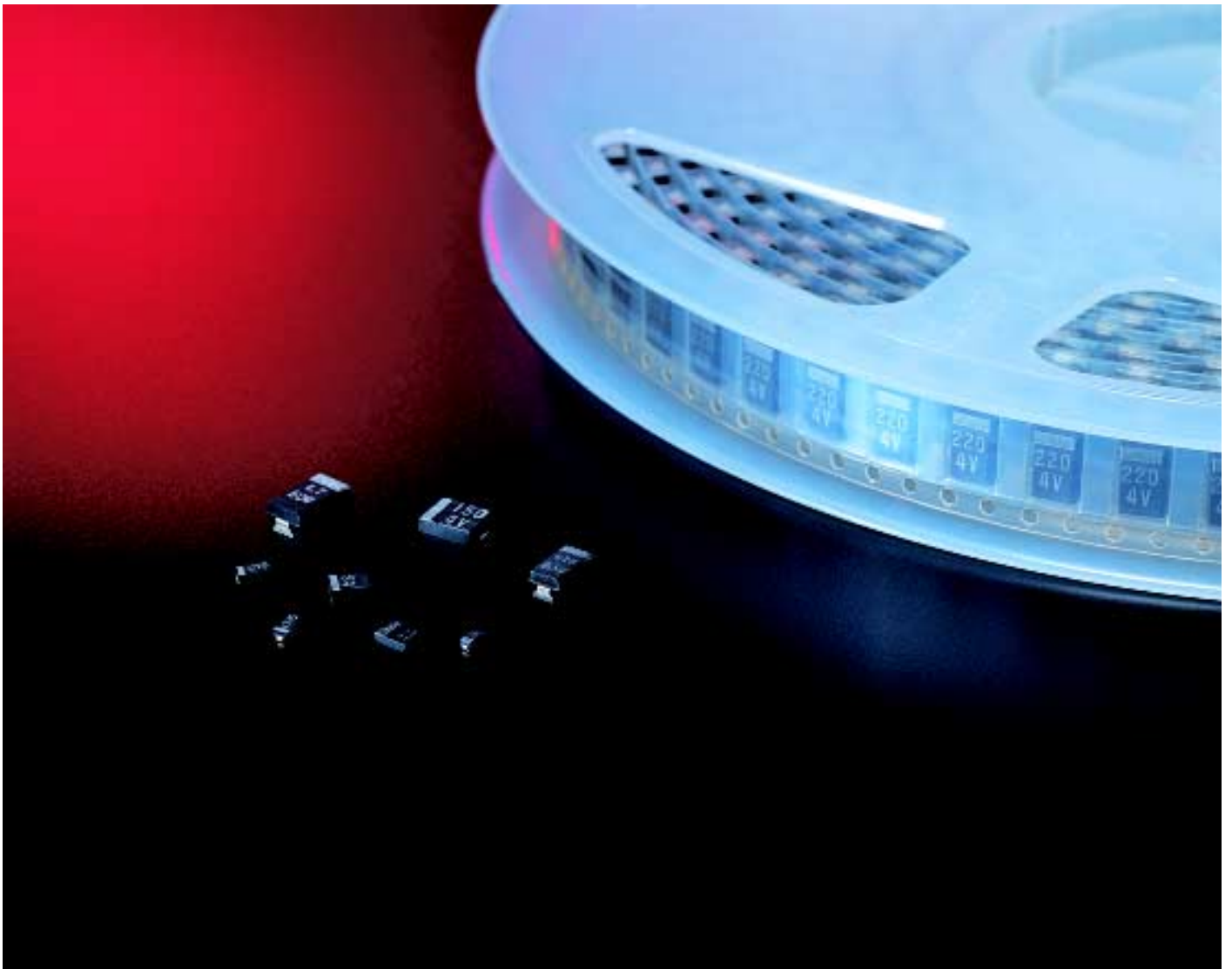


CAPACITORS

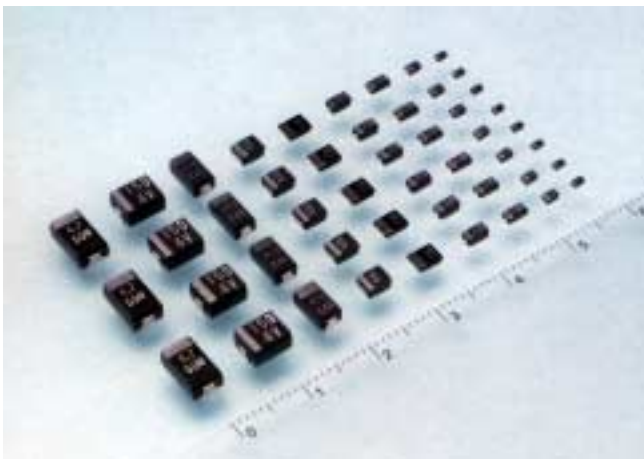


Correct Use of Solid Tantalum Capacitors

Most tantalum capacitor failures are the result of leakage current or short circuits. Please refer to Notes on Using the Tantalum Capacitors on pages 31 to 39 of this brochure before designing tantalum capacitors into your system.

NEC offers the latest technology

<Tantalum Capacitors>

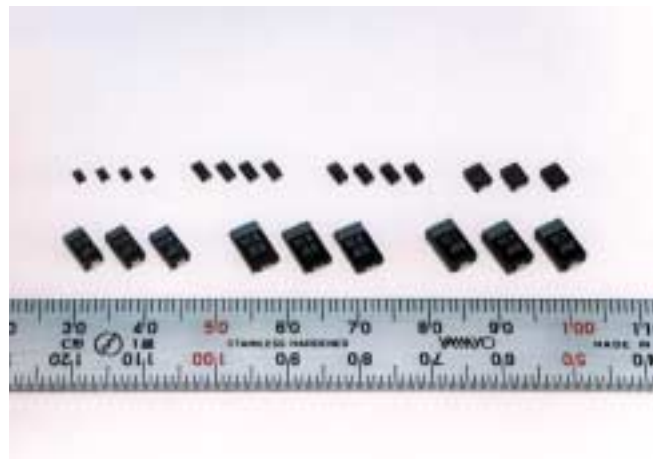


NEC has been manufacturing solid electrolyte tantalum capacitors for more than 30 years. As a result of NEC's active research and development programs, NEC capacitors offer the designer the latest technology plus outstanding performance.

NEC capacitors are used extensively in industrial, commercial, entertainment, and medical electronic equipment.

NEC has obtained ISO 9001 and QS9000 certificates of registration for capacitors.

<Conductive Polymer Tantalum Capacitors>
"NeoCapacitors"



The low-ESR conductive polymer tantalum capacitors are expected to meet an important market need; they are suited for DC/DC converters, video cameras, personal handy phones, etc.

TABLE OF CONTENTS

Tantalum Capacitors	4
R Series Tantalum Chip Capacitors	5
SV/S Series Tantalum Chip Capacitors	11
SV/H Series Tantalum Chip Capacitors (Higher Performance Type)	13
SV/F Series Tantalum Chip Capacitors (Fuse Built-in Type)	16
SV/Z Series Tantalum Chip Capacitors (Low-ESR Type)	19
Tape and Reel Specifications	21
Conductive Polymer Tantalum Capacitors (NeoCapacitors)	
PS/L Series NeoCapacitors	23
PS/N Series NeoCapacitors	26
Tape and Reel Specifications	29
Notes on Using the Solid Tantalum Capacitors	31
Notes on Using the Chip Tantalum Capacitors, excluding NeoCapacitors	34
Notes on Using NeoCapacitors	37

TANTALUM CAPACITORS

Description

NEC's tantalum capacitors offer the designer advanced technological design and excellent performance characteristics for filtering, bypassing, coupling, decoupling, blocking, and R C timing circuits. They are used extensively in industrial, commercial, entertainment, and medical electronic equipment.

The tantalum capacitor is inherently very reliable and there is significant evidence that this reliability improves with age—perhaps indefinitely. Capacitance loss with age and other problems often associated with liquid electrolytes are nonexistent in solid electrolyte tantalums.

A process used to further improve the reliability of tantalums is to burn them in at elevated voltages at 85°C for extended periods of time, thus eliminating high leakage and other undesirable characteristics. This process is done because solid electrolyte tantalum capacitors do not conform to the exponential distribution of time ordered failures, but instead exhibit a constantly decreasing failure rate.

If you specify NEC tantalums, you can feel confident that you are getting the best available quality, reliability, and price.

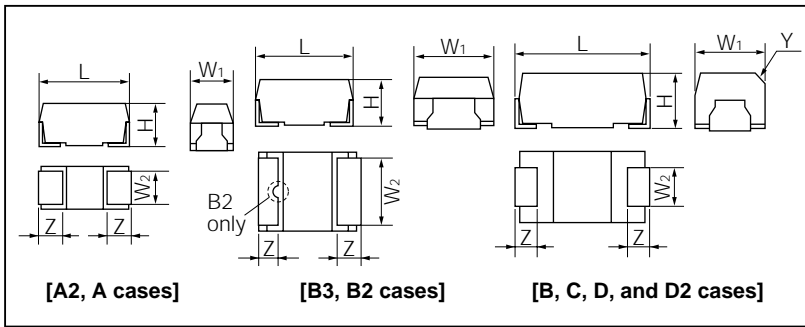
CHIP TANTALUM CAPACITORS

Conventional Type (Manganese Dioxide Type)							
Series	Operating Temperature Range (°C)	DC Rated Voltage Range (V)	Capacitance Range (μF)	Capacitance Tolerance (%)	DC Leakage Current (μA)	Tangent of Loss Angle	Features
R	-55 to +125	(Standard) 4 to 50	(Standard) 0.47 to 68	±20 ±10	0.01 CV ⁽¹⁾ or 0.5 whichever is greater	0.047 to 4.7 μF : 0.04 6.8 to 68 μF : 0.06	Standard
		(Extended) 2.5 to 35	(Extended) 0.47 to 470	±20 ±10	0.01 CV ⁽¹⁾ or 0.5 whichever is greater	2.5 Vdc to 10 Vdc ⁽²⁾ : 0.08 to 0.16 16 Vdc to 35 Vdc : 0.06, 0.10	Miniaturized
SV/S	-55 to +125	2.5 to 16	0.47 to 33	±20	0.01 CV ⁽¹⁾ or 0.5 whichever is greater	0.1, 0.2 ⁽³⁾	Ultra miniaturized
SV/H	-55 to +125	10 to 35	0.47 to 33	±20 ±10	0.01 CV ⁽¹⁾ or 0.5 whichever is greater	0.47 to 4.7 μF : 0.04 6.8 to 33 μF : 0.06	Higher performance
SV/F	-55 to +125	10 to 50	1 to 47	±20 ±10	0.01 CV ⁽¹⁾ or 0.5 whichever is greater	1 to 4.7 μF : 0.04 6.8 to 47 μF : 0.06	Built-in Fuse
SV/Z	-55 to +125	4 to 10	10 to 330	±20	0.01 CV ⁽¹⁾ or 0.5 whichever is greater	0.08 to 0.14 ⁽⁴⁾	Low ESR
NeoCapacitor (Conductive Polymer Type)							
PS/L	-55 to +105	4 to 10	3.3 to 330	±20	0.1 CV ⁽¹⁾ or 3, whichever is greater	0.09 to 0.50 ⁽⁵⁾	Ultra-low ESR
PS/N	-55 to +85	4 to 16	3.3 to 220	±20	0.1 CV ⁽¹⁾ or 3, whichever is greater	0.09 to 0.50 ⁽⁵⁾	Low ESR

- Notes**
1. Product of capacitance in μF and voltage in V.
 2. Refer to Standard Ratings on pages 9,10
 3. Refer to Standard Ratings on page 12
 4. Refer to Standard Ratings on page 20
 5. Refer to Standard Ratings on page 25

R Series Tantalum Chip Capacitors

DIMENSIONS [mm]



(Unit: mm)

Case Code	L	W ₁	W ₂	H	Z	Y
A2 (U)	3.2 ± 0.2	1.6 ± 0.2	1.2 ± 0.1	1.1 ± 0.1	0.8 ± 0.2	
A	3.2 ± 0.2	1.6 ± 0.2	1.2 ± 0.1	1.6 ± 0.2	0.8 ± 0.2	
B3 (W)	3.5 ± 0.2	2.8 ± 0.2	2.2 ± 0.1	1.1 ± 0.1	0.8 ± 0.2	
B2 (S)	3.5 ± 0.2	2.8 ± 0.2	2.3 ± 0.1	1.9 ± 0.2	0.8 ± 0.2	
B	4.7 ± 0.2	2.6 ± 0.2	1.4 ± 0.1	2.1 ± 0.2	0.8 ± 0.2	0.4 C
C	6.0 ± 0.2	3.2 ± 0.2	2.2 ± 0.1	2.5 ± 0.2	1.3 ± 0.2	0.4 C
D2 (T)	5.8 ± 0.2	4.6 ± 0.2	2.4 ± 0.1	3.2 ± 0.2	1.3 ± 0.2	
D	7.3 ± 0.2	4.3 ± 0.2	2.4 ± 0.1	2.8 ± 0.2	1.3 ± 0.2	0.5 C

(STANDARD C-V VALUE REFERENCE BY CASE CODE)

DC Rated Voltage (Vdc) / μF	4	6.3	10	16	20	25	35	50
0.47						A	B2, B	B2
0.68					A		B2, B	C
1.0				A			B2, B	C
1.5			A	A		B2, B	C	C
2.2		A	A		B2, B		C	D
3.3	A	A		B2, B		C	C, D	D, D2
4.7	A		B2, B		C	C	D2, D	D
6.8		B2, B		C	C	D2, D	D2, D	
10	B2, B		C	C	D2, D	D2, D		
15		C	C	D2, D	D2, D			
22	C	C	D2, D	D2, D				
33	C	D2, D	D2, D					
47	D2, D	D2, D						
68	D2, D							

PERFORMANCE CHARACTERISTICS

Operating temperature range
 -55 to +125°C with proper voltage derating as shown in the following table.

DC working voltage and surge voltage

Rated voltage	2.5	4	6.3	10	16	20	25	35	50	V
Working	at 85°C	2.5	4	6.3	10	16	20	25	35	50
	at 125°C	1.6	2.5	4	6.3	10	13	16	22	32
Surge	at 85°C	3.3	5.2	8	13	20	26	33	46	65

Capacitance (at 20°C, 120 Hz)

Range: 0.47 μF to 470 μF

Tolerance: ± 20%, (±10%)

Capacitance change with temperature

Not to exceed -12% at -55°C, +12% at 85°C, and +15% at 125°C

Tangent of loss angle (at 20°C, 120 Hz)

(Standard)

0.047 μF to 4.7 μF: less than 0.04

6.8 μF to 68 μF: less than 0.06

(Extended)(1)

2.5 Vdc to 10 Vdc: less than 0.08

16 Vdc to 35 Vdc: less than 0.06

DC leakage current (at 20°C)

0.01 C·V(2) μA or 0.5 μA, whichever is greater

Damp heat (90 to 95% RH at 40°C, 56 days (1344 h))

Capacitance change: ±5% (±12%)(3)

Tangent of loss angle: 150% of initial requirements

DC leakage current: initial requirements

Endurance (at 85°C, DC rated voltage, 2000 h)

Capacitance change: ±10% (±12%)(3)

Tangent of loss angle: initial requirements

DC leakage current: 125% of initial requirements

Resistance to soldering heat

(solder reflow at 260°C, 10 s.

or solder dip at 260°C, 5 s.)

Capacitance change: +5% (+12%)(3)

Leakage current: initial requirements

Tangent of loss angle: initial requirements

NEC obtained IEC Qualification Approval on R Series Standard Ratings in September 1987.

1. Refer to standard ratings for tangent of loss angle of the following items:

2.5 V/15 μF, 22 μF, 4 V/10 μF, 15 μF, 22 μF, 6.3 V/15 μF products in A2 case.

2.5 V/47 μF, 68 μF, 4 V/33 μF, 47 μF, 6.3 V/22 μF, 33 μF, 16 V/10 μF products in A case.

2.5 V/47 μF, 68 μF, 100 μF, 4 V/33 μF, 47 μF, 68 μF, 6.3 V/22 μF, 33 μF, 47 μF, 10V/15 μF, 22 μF, 16 V/10 μF products in B3 case.

2.5 V/150 μF, 220 μF, 4 V/100 μF, 150 μF, 6.3 V/68 μF, 100 μF products in B2 case.

2.5 V/220 μF, 470 μF, 4 V/150 μF, 220 μF, 6.3 V/100 μF, 150 μF, 220 μF products in C case.

2.5 V/330 μF, 4 V/220 μF, 6.3 V/150 μF, 10 V/100 μF products in D2 case.

2.5 V/470 μF, 4 V/330 μF, 6.3 V/220 μF, 10 V/150 μF, 16V/100 μF products in D case.

2. Product of capacitance in μF and voltage in V.

3. Capacitance change of ± 12% applies to

2.5 V/4.7 μF to 22 μF, 4 V/4.7 μF to 22 μF, 6.3 V/3.3 μF to 15 μF, 10 V/2.2 μF to 10 μF, 16 V/1.5 μF, 2.2 μF, 20 V/1 μF, 1.5 μF products in A2 case;

2.5 V/15 μF to 47 μF, 4 V/10 μF to 47 μF, 6.3 V/6.8 μF to 33 μF, 10 V/4.7 μF to 10 μF, 16 V/3.3 μF to 6.8 μF, 20 V/2.2 μF to 4.7 μF, 25 V/1.5 μF, 2.2 μF, 35 V/1 μF, 1.5 μF products in A case;

2.5 V/33 μF to 150 μF, 4 V/100 μF, 6.3 V/68 μF, 100 μF, 10 V/4.7 μF products in B2 case;

(R SERIES EXTENDED C-V VALUE REFERENCE BY CASE CODE)

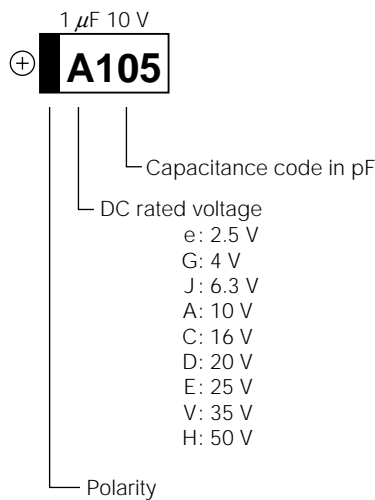
DC Rated Voltage μF	2.5	4	6.3	10	16	20	25	35
0.47						A2		A
0.68					A2	A2	A	A
1.0				A2	A2	A2, A	A	A
1.5			A2	A2	A2	A2, A	A	A, B2, B
2.2		A2	A2	A2	A2, A	A	A, B2	B2, B
3.3		A2	A2	A2, A	A	A, B2	B2, B	B2
4.7	A2	A2	A2, A	A2, A	A, B2	A, B2, B	B2	C
6.8	A2	A2, A	A2, A	A, B2	A, B3, B2, B	B2	C	C
10	A2	A2, A	A2, A, B2	A2, A, B3, B2, B	A, B3, B2	B2, C	C	D2, D
15	A2, A	A2, A, B2	A2, A, B3, B2, B	B3, B2	B2, C	C	D2, D	D
22	A2, A	A2, A, B3, B2, B	A, B3, B2	B3, B2, C	B2, C	C, D2, D	D	
33	A, B3, B2	A, B3, B2	A, B3, B2, C	B2, C	C, D2, D	D2, D		
47	A, B3, B2	A, B3, B2, C	B3, B2, C	B2, C, D2, D	C, D2, D	D		
68	A, B3, B2	B3, B2, C	B2, C, D2, D	C, D2, D	D			
100	B3, B2	B2, C, D2, D	B2, C, D2, D	C, D2, D	D			
150	B2	C, D2, D	C, D2, D	D				
220	B2, C	C, D2, D	C, D	D				
330	D2	C, D	D					
470	C, D	D						

2.5 V/220 μF, 470 μF, 4 V/150 μF to 330 μF, 6.3 V/100 μF, 10 V/68 μF, 16 V/47 μF products in C case;
 2.5 V/330 μF, 4 V/220 μF, 6.3 V/150 μF, 10 V/100 μF products in D2 case;
 2.5 V/470 μF, 4 V/330 μF, 470 μF, 6.3 V/220 μF, 330 μF, 10 V/150 μF, 220 μF, 16 V/100 μF products in D case.
 Capacitance change of ±15% applies to all products with the B3 case.

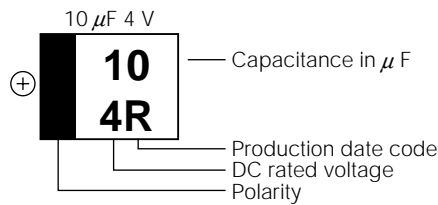
See pages 21 and 22 for taping specifications.

MARKINGS

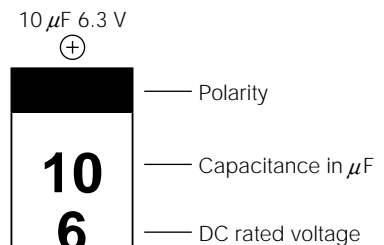
The standard marking shows capacitance, DC rated voltage, and polarity.



[A2, A cases]



[B3, B2, and D2 cases]

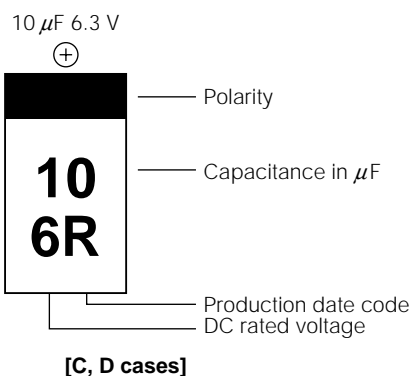


[B case]

[Marking of production date code]

Y	M	Jan.	Feb.	Mar.	Apr.	May	Jun.	Jul.	Aug.	Sep.	Oct.	Nov.	Dec.
1999		a	b	c	d	e	f	g	h	j	k	l	m
2000		n	p	q	r	s	t	u	v	w	x	y	z
2001		A	B	C	D	E	F	G	H	J	K	L	M
2002		N	P	Q	R	S	T	U	V	W	X	Y	Z

Note: Production date code will repeat beginning in 2003.



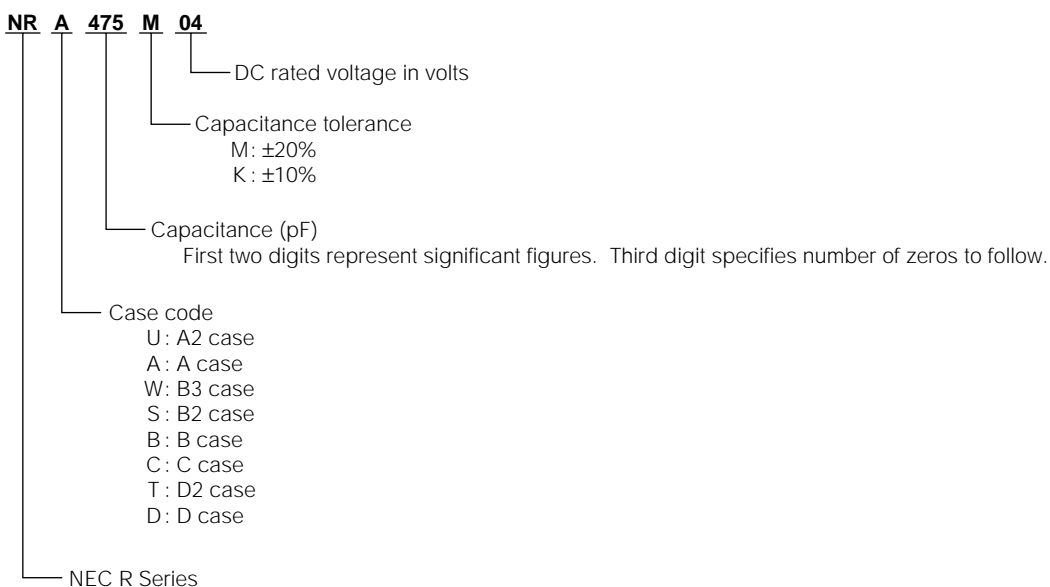
[Marking of production date code]

Y \ M	Jan.	Feb.	Mar.	Apr.	May	Jun.	Jul.	Aug.	Sep.	Oct.	Nov.	Dec.
1999	a	b	c	d	e	f	g	h	j	k	l	m
2000	n	p	q	r	s	t	u	v	w	x	y	z
2001	A	B	C	D	E	F	G	H	J	K	L	M
2002	N	P	Q	R	S	T	U	V	W	X	Y	Z

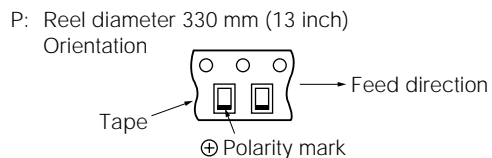
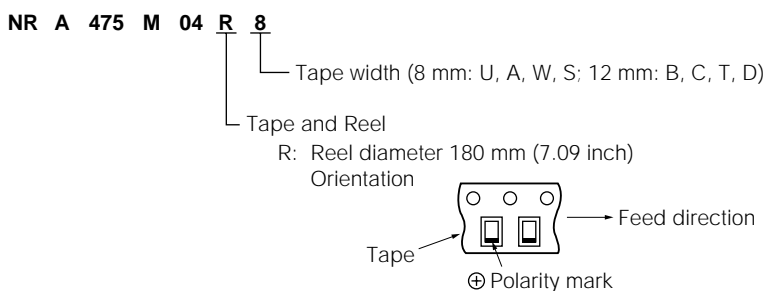
Note: Production date code will repeat beginning in 2003.

PART NUMBER SYSTEM

Bulk



Tape and Reel



STANDARD RATINGS

Part Number	Capacitance (μF)	Case Code	DC Leakage Current (μA)	Tangent of Loss Angle
50 V Rating				
NRS474M50	0.47	B2	0.5	0.04
NRC684M50	0.68	C	0.5	0.04
NRC105M50	1	C	0.5	0.04
NRC155M50	1.5	C	0.7	0.04
NRD225M50	2.2	D	1.1	0.04
NRD335M50	3.3	D	1.6	0.04
NRT335M50	3.3	D2	1.6	0.04
NRD475M50	4.7	D	2.3	0.04
35 V Rating				
NRS474M35	0.47	B2	0.5	0.04
NRB474M35	0.47	B	0.5	0.04
NRS684M35	0.68	B2	0.5	0.04
NRB684M35	0.68	B	0.5	0.04
NRS105M35	1	B2	0.5	0.04
NRB105M35	1	B	0.5	0.04
NRC155M35	1.5	C	0.5	0.04
NRC225M35	2.2	C	0.7	0.04
NRC335M35	3.3	C	1.2	0.04
NRD335M35	3.3	D	1.2	0.04
NRT475M35	4.7	D2	1.6	0.04
NRD475M35	4.7	D	1.6	0.04
NRT685M35	6.8	D2	2.3	0.06
NRD685M35	6.8	D	2.3	0.06
25 V Rating				
NRA474M25	0.47	A	0.5	0.04
NRS155M25	1.5	B2	0.5	0.04
NRB155M25	1.5	B	0.5	0.04
NRC335M25	3.3	C	0.8	0.04
NRC475M25	4.7	C	1.1	0.04
NRT685M25	6.8	D2	1.7	0.06
NRD685M25	6.8	D	1.7	0.06
NRT106M25	10	D2	2.5	0.06
NRD106M25	10	D	2.5	0.06
20 V Rating				
NRA684M20	0.68	A	0.5	0.04
NRS225M20	2.2	B2	0.5	0.04
NRB225M20	2.2	B	0.5	0.04
NRC475M20	4.7	C	0.9	0.04
NRC685M20	6.8	C	1.4	0.06
NRT106M20	10	D2	2.0	0.06
NRD106M20	10	D	2.0	0.06
NRT156M20	15	D2	3.0	0.06
NRD156M20	15	D	3.0	0.06

Part Number	Capacitance (μF)	Case Code	DC Leakage Current (μA)	Tangent of Loss Angle
16 V Rating				
NRA105M16	1	A	0.5	0.04
NRA155M16	1.5	A	0.5	0.04
NRS335M16	3.3	B2	0.5	0.04
NRB335M16	3.3	B	0.5	0.04
NRC685M16	6.8	C	1.0	0.06
NRC106M16	10	C	1.6	0.06
NRT156M16	15	D2	2.4	0.06
NRD156M16	15	D	2.4	0.06
NRT226M16	22	D2	3.5	0.06
NRD226M16	22	D	3.5	0.06
10 V Rating				
NRA155M10	1.5	A	0.5	0.04
NRA225M10	2.2	A	0.5	0.04
NRS475M10	4.7	B2	0.5	0.04
NRB475M10	4.7	B	0.5	0.04
NRC106M10	10	C	1.0	0.06
NRC156M10	15	C	1.5	0.06
NRT226M10	22	D2	2.2	0.06
NRD226M10	22	D	2.2	0.06
NRT336M10	33	D2	3.3	0.06
NRD336M10	33	D	3.3	0.06
6.3 V Rating				
NRA225M06	2.2	A	0.5	0.04
NRA335M06	3.3	A	0.5	0.04
NRS685M06	6.8	B2	0.5	0.06
NRB685M06	6.8	B	0.5	0.06
NRC156M06	15	C	0.9	0.06
NRC226M06	22	C	1.4	0.06
NRT336M06	33	D2	2.0	0.06
NRD336M06	33	D	2.0	0.06
NRT476M06	47	D2	3.0	0.06
NRD476M06	47	D	3.0	0.06
4 V Rating				
NRA335M04	3.3	A	0.5	0.04
NRA475M04	4.7	A	0.5	0.04
NRS106M04	10	B2	0.5	0.06
NRB106M04	10	B	0.5	0.06
NRC226M04	22	C	0.8	0.06
NRC336M04	33	C	1.3	0.06
NRT476M04	47	D2	1.9	0.06
NRD476M04	47	D	1.9	0.06
NRT686M04	68	D2	2.7	0.06
NRD686M04	68	D	2.7	0.06

Notes:

- (1) Part numbers are for ±20% capacitance tolerance. For ±10% units, change the letter from M to K.
- (2) Use the letters S, and T as the case code in the part number for B2 and D2.

EXTENDED CHIPS STANDARD RATINGS

Part Number	Capacitance (μF)	Case Code	DC Leakage Current (μA)	Tangent of Loss Angle
35 V Rating				
NRA474M35	0.47	A	0.5	0.06
NRA684M35	0.68	A	0.5	0.06
NRA105M35	1	A	0.5	0.06
NRA155M35	1.5	A	0.5	0.06
NRS155M35	1.5	B2	0.5	0.06
NRB155M35	1.5	B	0.5	0.06
NRS225M35	2.2	B2	0.7	0.06
NRB225M35	2.2	B	0.7	0.06
NRS335M35	3.3	B2	1.1	0.06
NRC475M35	4.7	C	1.6	0.06
NRC685M35	6.8	C	2.3	0.06
NRT106M35	10	D2	3.5	0.06
NRD106M35	10	D	3.5	0.06
NRD156M35	15	D	5.2	0.06
25 V Rating				
NRA684M25	0.68	A	0.5	0.06
NRA105M25	1	A	0.5	0.06
NRA155M25	1.5	A	0.5	0.06
NRA225M25	2.2	A	0.5	0.06
NRS225M25	2.2	B2	0.5	0.06
NRS335M25	3.3	B2	0.8	0.06
NRB335M25	3.3	B	0.8	0.06
NRS475M25	4.7	B2	1.1	0.06
NRC685M25	6.8	C	1.7	0.06
NRC106M25	10	C	2.5	0.06
NRT156M25	15	D2	3.7	0.06
NRD156M25	15	D	3.7	0.06
NRD226M25	22	D	5.5	0.06
20 V Rating				
NRU474M20	0.47	A2	0.5	0.06
NRU684M20	0.68	A2	0.5	0.06
NRU105M20	1	A2	0.5	0.06
NRA105M20	1	A	0.5	0.06
NRU155M20	1.5	A2	0.5	0.06
NRA155M20	1.5	A	0.5	0.06
NRA225M20	2.2	A	0.5	0.06
NRA335M20	3.3	A	0.6	0.06
NRS335M20	3.3	B2	0.6	0.06
NRA475M20	4.7	A	0.9	0.06
NRS475M20	4.7	B2	0.9	0.06
NRB475M20	4.7	B	0.9	0.06
NRS685M20	6.8	B2	1.4	0.06
NRS106M20	10	B2	2.0	0.06
NRC106M20	10	C	2.0	0.06
NRC156M20	15	C	3.0	0.06
NRC226M20	22	C	4.4	0.06
NRT226M20	22	D2	4.4	0.06
NRD226M20	22	D	4.4	0.06
NRT336M20	33	D2	6.6	0.06
NRD336M20	33	D	6.6	0.06
NRD476M20	47	D	9.4	0.06

Notes:

- (1) Part numbers are for $\pm 20\%$ capacitance tolerance. For $\pm 10\%$ units, change the letter from M to K.
- (2) Use the letters U, S, and T as the case code in the part number for A2, B2, and D2.

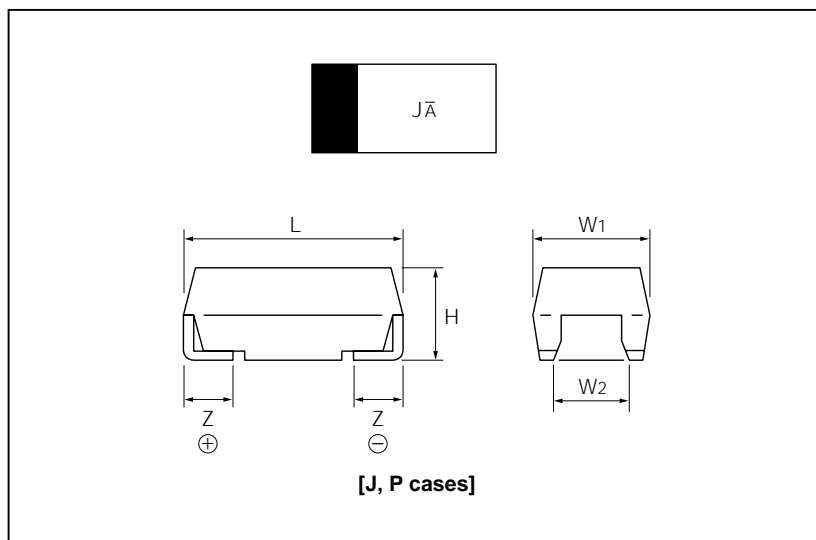
Part Number	Capacitance (μF)	Case Code	DC Leakage Current (μA)	Tangent of Loss Angle
16 V Rating				
NRU684M16	0.68	A2	0.5	0.06
NRU105M16	1	A2	0.5	0.06
NRU155M16	1.5	A2	0.5	0.06
NRU225M16	2.2	A2	0.5	0.06
NRA225M16	2.2	A	0.5	0.06
NRA335M16	3.3	A	0.5	0.06
NRA475M16	4.7	A	0.7	0.06
NRS475M16	4.7	B2	0.7	0.06
NRA685M16	6.8	A	1.0	0.06
NRW685M16	6.8	B3	1.0	0.06
NRS685M16	6.8	B2	1.0	0.06
NRB685M16	6.8	B	1.0	0.06
NRA106M16	10	A	1.6	0.08
NRW106M16	10	B3	1.6	0.08
NRS106M16	10	B2	1.6	0.06
NRS156M16	15	B2	2.4	0.06
NRC156M16	15	C	2.4	0.06
NRS226M16	22	B2	3.5	0.06
NRC226M16	22	C	3.5	0.06
NRC336M16	33	C	5.2	0.06
NRT336M16	33	D2	5.2	0.06
NRD336M16	33	D	5.2	0.06
NRC476M16	47	C	7.5	0.06
NRT476M16	47	D2	7.5	0.06
NRD476M16	47	D	7.5	0.06
NRD686M16	68	D	10.8	0.06
NRD107M16	100	D	16	0.10
10 V Rating				
NRU105M10	1	A2	0.5	0.08
NRU155M10	1.5	A2	0.5	0.08
NRU225M10	2.2	A2	0.5	0.08
NRU335M10	3.3	A2	0.5	0.08
NRA335M10	3.3	A	0.5	0.08
NRU475M10	4.7	A2	0.5	0.08
NRA475M10	4.7	A	0.5	0.08
NRA685M10	6.8	A	0.6	0.08
NRS685M10	6.8	B2	0.6	0.08
NRU106M10	10	A2	1.0	0.08
NRA106M10	10	A	1.0	0.08
NRW106M10	10	B3	1.0	0.08
NRS106M10	10	B2	1.0	0.08
NRB106M10	10	B	1.0	0.08
NRW156M10	15	B3	1.5	0.06
NRS156M10	15	B2	1.5	0.08
NRW226M10	22	B3	2.2	0.12
NRS226M10	22	B2	2.2	0.08
NRC226M10	22	C	2.2	0.08
NRS336M10	33	B2	3.3	0.08
NRC336M10	33	C	3.3	0.08
NRS476M10	47	B2	4.7	0.08
NRC476M10	47	C	4.7	0.08
NRT476M10	47	D2	4.7	0.08
NRD476M10	47	D	4.7	0.08
NRC686M10	68	C	6.8	0.08
NRT686M10	68	D2	6.8	0.08
NRD686M10	68	D	6.8	0.08
NRT107M10	100	D2	10	0.10
NRD107M10	100	D	10	0.08
NRD157M10	150	D	15	0.10
NRD227M10	220	D	22	0.12

Part Number	Capacitance (μF)	Case Code	DC Leakage Current (μA)	Tangent of Loss Angle
6.3 V Rating				
NRU155M06	1.5	A2	0.5	0.08
NRU225M06	2.2	A2	0.5	0.08
NRU335M06	3.3	A2	0.5	0.08
NRU475M06	4.7	A2	0.5	0.08
NRA475M06	4.7	A	0.5	0.08
NRU155M06	1.5	A2	0.5	0.08
NRU225M06	2.2	A2	0.5	0.08
NRU335M06	3.3	A2	0.5	0.08
NRU475M06	4.7	A2	0.5	0.08
NRA475M06	4.7	A	0.5	0.08
NRU685M06	6.8	A2	0.5	0.08
NRA685M06	6.8	A	0.5	0.08
NRU106M06	10	A2	0.6	0.08
NRA106M06	10	A	0.6	0.08
NRS106M06	10	B2	0.6	0.08
NRU156M06	15	A2	0.9	0.12
NRA156M06	15	A	0.9	0.08
NRW156M06	15	B3	0.9	0.08
NRS156M06	15	B2	0.9	0.08
NRB156M06	15	B	0.9	0.08
NRA226M06	22	A	1.4	0.10
NRW226M06	22	B3	1.3	0.12
NRS226M06	22	B2	1.3	0.08
NRA336M06	33	A	2.0	0.12
NRW336M06	33	B3	2.0	0.20
NRS336M06	33	B2	2.0	0.08
NRC336M06	33	C	2.0	0.08
NRW476M06	47	B3	2.9	0.12
NRS476M06	47	B2	3.0	0.08
NRC476M06	47	C	3.0	0.08
NRS686M06	68	B2	4.2	0.10
NRC686M06	68	C	4.2	0.08
NRT686M06	68	D2	4.2	0.08
NRD686M06	68	D	4.2	0.08
NRS107M06	100	B2	6.3	0.12
NRC107M06	100	C	6.3	0.08
NRT107M06	100	D2	6.3	0.08
NRD107M06	100	D	6.3	0.08
NRC157M06	150	C	9.4	0.10
NRT157M06	150	D2	9.4	0.10
NRD157M06	150	D	9.4	0.08
NRC227M06	220	C	13.8	0.14
NRD227M06	220	D	13.8	0.12
NRD337M06	330	D	20.7	0.14
4 V Rating				
NRU225M04	2.2	A2	0.5	0.08
NRU335M04	3.3	A2	0.5	0.08
NRU475M04	4.7	A2	0.5	0.08
NRU685M04	6.8	A2	0.5	0.08
NRA685M04	6.8	A	0.5	0.08
NRU106M04	10	A2	0.5	0.12
NRA106M04	10	A	0.5	0.08
NRU156M04	15	A2	0.6	0.12
NRA156M04	15	A	0.6	0.08
NRS156M04	15	B2	0.6	0.08
NRU226M04	22	A2	0.8	0.12
NRA226M04	22	A	0.8	0.06
NRW226M04	22	B3	0.8	0.08
NRS226M04	22	B2	0.8	0.08
NRB226M04	22	B	0.8	0.08
NRA336M04	33	A	1.3	0.10
NRW336M04	33	B3	1.3	0.12
NRS336M04	33	B2	1.3	0.08
NRA476M04	47	A	1.8	0.12
NRW476M04	47	B3	1.8	0.12
NRS476M04	47	B2	1.8	0.08
NRC476M04	47	C	1.8	0.08

Part Number	Capacitance (μF)	Case Code	DC Leakage Current (μA)	Tangent of Loss Angle
4 V Rating				
NRW686M04	68	B3	2.7	0.15
NRS686M04	68	B2	2.7	0.08
NRC686M04	68	C	2.7	0.08
NRS107M04	100	B2	4.0	0.12
NRC107M04	100	C	4.0	0.08
NRT107M04	100	D2	4.0	0.08
NRD107M04	100	D	4.0	0.08
NRS157M04	150	B2	6.0	0.18
NRC157M04	150	C	6.0	0.10
NRT157M04	150	D2	6.0	0.08
NRD157M04	150	D	6.0	0.08
NRC227M04	220	C	8.8	0.12
NRT227M04	220	D2	8.8	0.12
NRD227M04	220	D	8.8	0.08
NRD337M04	330	D	13.2	0.14
NRD477M04	470	D	18.8	0.16
2.5 V Rating				
NRU475M02	4.7	A2	0.5	0.08
NRU685M02	6.8	A2	0.5	0.08
NRU106M02	10	A2	0.5	0.08
NRU156M02	15	A2	0.5	0.12
NRA156M02	15	A	0.5	0.08
NRU226M02	22	A2	0.5	0.12
NRA226M02	22	A	0.5	0.08
NRA336M02	33	A	0.8	0.08
NRW336M02	33	B3	0.8	0.08
NRS336M02	33	B2	0.8	0.08
NRA476M02	47	A	1.1	0.12
NRW476M02	47	B3	1.1	0.12
NRS476M02	47	B2	1.1	0.08
NRA686M02	68	A	1.7	0.18
NRW686M02	68	B3	1.7	0.20
NRS686M02	68	B2	1.7	0.08
NRW107M02	100	B3	2.5	0.18
NRS107M02	100	B2	2.5	0.08
NRS157M02	150	B2	3.7	0.16
NRS227M02	220	B2	5.5	0.18
NRC227M02	220	C	5.5	0.12
NRT337M02	330	D2	8.2	0.14
NRC477M02	470	C	11.7	0.18
NRD477M02	470	D	11.7	0.14

SV/S Series Tantalum Chip Capacitors (Ultra-miniaturized)

DIMENSIONS [mm]



Case Code	L	W ₁	W ₂	H	Z
J	1.6 ± 0.1	0.8 ± 0.1	0.6 ± 0.1	0.8 ± 0.1	0.4 ± 0.15
P	2.0 ± 0.2	1.25 ± 0.2	0.9 ± 0.2	1.1 ± 0.1	0.5 ± 0.2

C-V VALUE REFERENCE BY CASE CODE

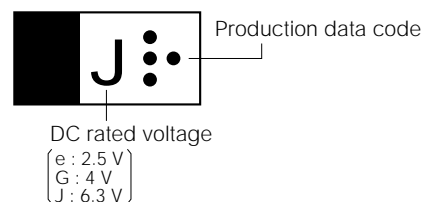
DC Rated Voltage (Vdc) μF	2.5	4	6.3	10	16
0.47					P
0.68				P	P
1			P	P	P
1.5		P	P	P	
2.2	P	P	P	P	
3.3	P	P	P	P	
4.7	P	J, P	J, P	P	
6.8	P	J, P	P		
10	J, P	P	P		
15	P	P			
22	P	P			
33	P				

J case Marking of production date code

2000											
Jun.	Feb.	Mar.	Apr.	May	Jun.	Jul.	Aug.	Sep.	Oct.	Nov.	Dec.
●	●●	●	●●	●●	●●	●●	●●	●	●	●●	●●
2001											
Jun.	Feb.	Mar.	Apr.	May	Jun.	Jul.	Aug.	Sep.	Oct.	Nov.	Dec.
●●	●●	●●	●●	●●	●●	●●	●●	●●	●●	●●	●●

Note: Production date code will repeat beginning in 2002

Marking detail [J case]



PERFORMANCE CHARACTERISTICS

Operating temperature range
 -55 to +125°C with proper voltage derating as shown in the following table.

DC working voltage and surge voltage

Rated voltage	2.5	4	6.3	10	16	V	
Working	at 85°C	2.5	4	6.3	10	16	V
	at 125°C	1.6	2.5	4	6.3	10	V
Surge	at 85°C	3.3	5.2	8	13	20	V

Capacitance (at 20°C, 120 Hz)

Range: 0.47 μF to 33 μF

Tolerance: ±20%

Capacitance change with temperature

Not to exceed -20% at -55°C,

+20% at 85°C, and +20% at 125°C

Tangent of loss angle (at 20°C, 120 Hz)

Refer to Standard Ratings

DC leakage current (at 20°C)

0.01 C·V^{Note} μA or 0.5 μA, whichever is greater

Damp heat (90 to 95% RH at 40°C, 56 days (1344 h))

Capacitance change: ±20%

Tangent of loss angle: 150% of initial requirements

DC leakage current: initial requirements

Endurance (at 85°C, DC rated voltage, 2000 h)

Capacitance change: ±20%

Tangent of loss angle: initial requirements

DC leakage current: 200% of initial requirements

Resistance to soldering heat

Full immersion in solder, 260°C for 5 s.

Capacitance change: ±20%

Leakage current: initial requirements

Tangent of loss angle: initial requirements

See pages 21 and 22 for taping specifications.

Note: Product of capacitance in μF and voltage in V.

PRODUCT LINE-UP AND MARKING CODE

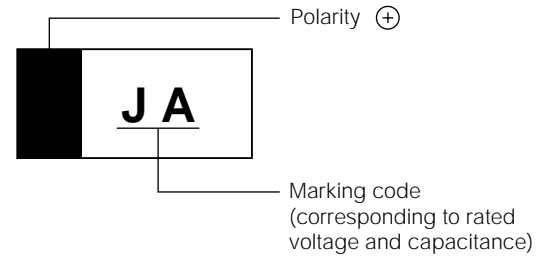
[P case]

DC Rated Voltage (Vdc) μF	2.5	4	6.3	10	16
0.47					CS
0.68				AW	CW
1			JA	AA	CA
1.5		GE	JE	AE	
2.2	eJ	GJ	JJ	AJ	
3.3	eN	GN	JN	AN	
4.7	eS	GS	JS	AS	
6.8	eW	GW	JW		
10	eĀ	GĀ	JĀ		
15	eĒ	GĒ			
22	eĴ	GĴ			
33	eÑ				

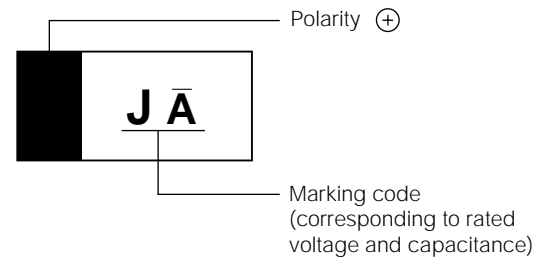
Marking detail

[P case]

up to 6.8 μF

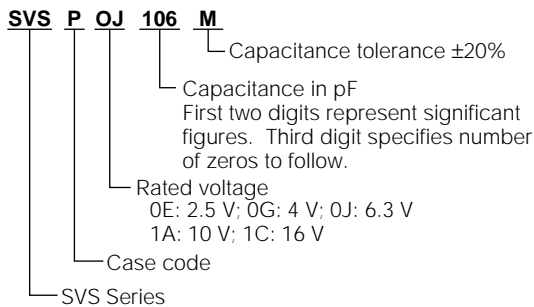


over 10 μF

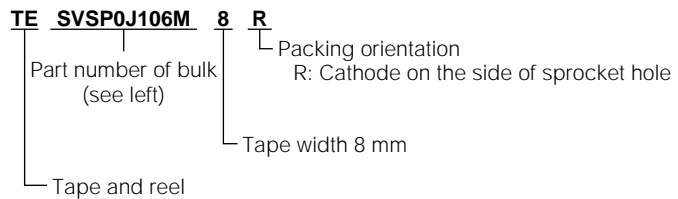


PART NUMBER SYSTEM

Bulk



Tape and Reel



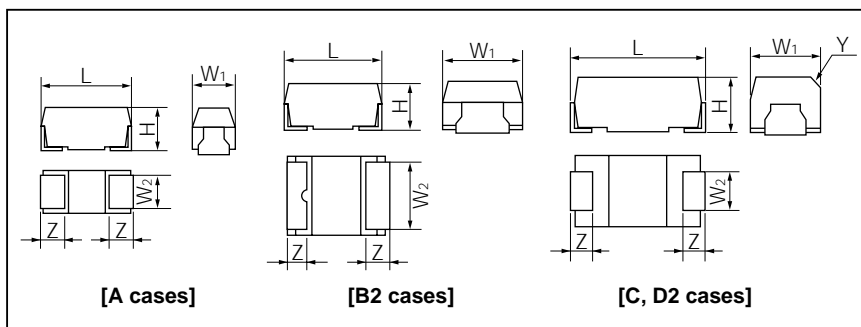
STANDARD RATINGS

Part Number	Capacitance (μF)	Case Code	DC Leakage Current (μA)	Tangent of Loss Angle
16 V Rating				
SVSP1C474M	0.47	P	0.5	0.1
SVSP1C684M	0.68	P	0.5	0.1
SVSP1C105M	1.0	P	0.5	0.2
10 V Rating				
SVSP1A684M	0.68	P	0.5	0.1
SVSP1A105M	1	P	0.5	0.1
SVSP1A155M	1.5	P	0.5	0.2
SVSP1A225M	2.2	P	0.5	0.2
SVSP1A335M	3.3	P	0.5	0.2
SVSP1A475M	4.7	P	0.5	0.2
6.3 V Rating				
SVSP0J105M	1	P	0.5	0.1
SVSP0J155M	1.5	P	0.5	0.1
SVSP0J225M	2.2	P	0.5	0.2
SVSP0J335M	3.3	P	0.5	0.2
SVSJ0J475M	4.7	J	0.5	0.2
SVSP0J475M	4.7	P	0.5	0.2
SVSP0J685M	6.8	P	0.5	0.2
SVSP0J106M	10	P	0.6	0.2

Part Number	Capacitance (μF)	Case Code	DC Leakage Current (μA)	Tangent of Loss Angle
4 V Rating				
SVSP0G155M	1.5	P	0.5	0.1
SVSP0G225M	2.2	P	0.5	0.1
SVSP0G335M	3.3	P	0.5	0.2
SVSJ0G475M	4.7	J	0.5	0.2
SVSP0G475M	4.7	P	0.5	0.2
SVSJ0G685M	6.8	J	0.5	0.2
SVSP0G685M	6.8	P	0.5	0.2
SVSP0G106M	10	P	0.5	0.2
SVSP0G156M	15	P	0.5	0.2
SVSP0G226M	22	P	0.8	0.2
2.5 V Rating				
SVSP0E225M	2.2	P	0.5	0.1
SVSP0E335M	3.3	P	0.5	0.1
SVSP0E475M	4.7	P	0.5	0.2
SVSP0E685M	6.8	P	0.5	0.2
SVSJ0E106M	10	J	0.5	0.2
SVSP0E106M	10	P	0.5	0.2
SVSP0E156M	15	P	0.5	0.2
SVSP0E226M	22	P	0.5	0.2
SVSP0E336M	33	P	0.8	0.2

SV/H Series Tantalum Chip Capacitors (Higher Performance)

DIMENSIONS [mm]



(Unit: mm)

Case Code	L	W ₁	W ₂	H	Z	Y
A	3.2 ± 0.2	1.6 ± 0.2	1.2 ± 0.1	1.6 ± 0.2	0.8 ± 0.2	–
B2	3.5 ± 0.2	2.8 ± 0.2	2.3 ± 0.1	1.9 ± 0.2	0.8 ± 0.2	–
C	6.0 ± 0.2	3.2 ± 0.2	2.2 ± 0.1	2.5 ± 0.2	1.3 ± 0.2	0.4 C
D2	5.8 ± 0.2	4.6 ± 0.2	2.4 ± 0.1	3.2 ± 0.2	1.3 ± 0.2	–

DC rated voltage (Vdc)	DC rated voltage (Vdc)				
	10	16	20	25	35
0.47				A	B2
0.68			A		B2
1		A			B2
1.5		A		B2	C
2.2	A		B2		C
3.3		B2			C
4.7	B2			C	D2
6.8			C		D2
10		C		D2	
15	C		D2		
22		D2			
33	D2				

PERFORMANCE CHARACTERISTICS

Operating temperature range
–55 to +125°C with proper voltage derating as shown in the following table.

DC working voltage and surge voltage

Rated voltage	10	16	20	25	35	V	
Working	at 85°C	10	16	20	25	35	V
	at 125°C	6.3	10	13	16	22	V
Surge	at 85°C	13	20	26	33	46	V

Capacitance (at 20°C, 120 Hz)

Range: 0.47 μF to 33 μF

Tolerance: ±20%, ±10%

Capacitance change with temperature

Not to exceed –12% at –55°C, +12% at 85°C, and +15% at 125°C

Tangent of loss angle (at 20°C, 120 Hz)

0.47 μF to 4.7 μF: less than 0.04

6.8 μF to 33 μF: less than 0.06

DC leakage current (at 20°C)

0.01 C•V^{Note} μA or 0.5 μA, whichever is greater

Damp heat (85% RH at 85°C, 56 days (1344 h))

Capacitance change: ±10%

Tangent of loss angle: 150% of initial requirements

DC leakage current: initial requirements

Endurance (at 85°C, DC rated voltage, 2000 h)

Capacitance change: ±10%

Tangent of loss angle: initial requirements

DC leakage current: 125% of initial requirements

Resistance to soldering heat

(solder reflow and solder dip at 260°C, 10 s.)

Capacitance change: ±5%

Tangent of loss angle: initial requirements

DC leakage current: initial requirements

Rapid change of temperature (at –55 to 125°C, 1000 cycles)

Capacitance change: ±10%

Leakage current: initial requirements

Tangent of loss angle: initial requirements

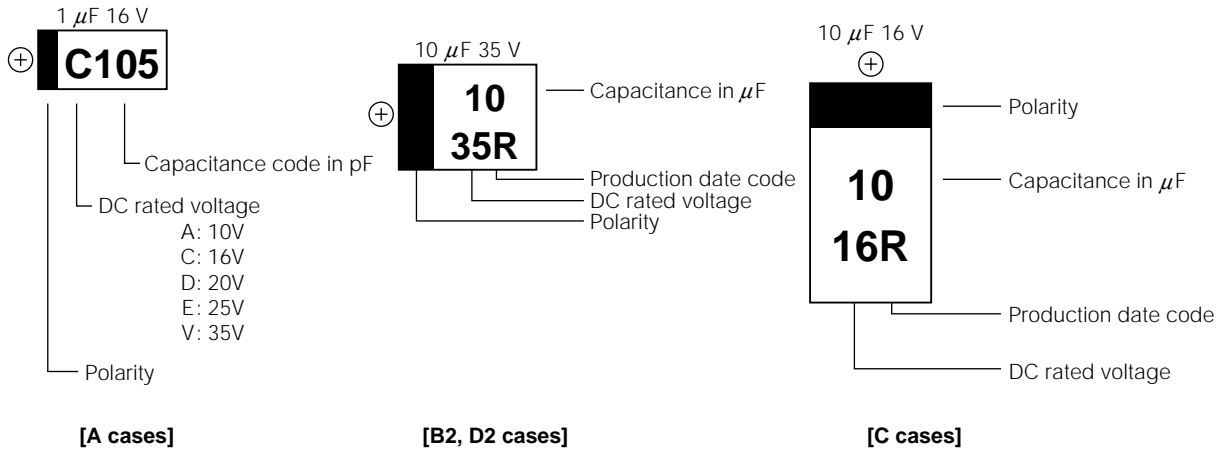
Note: Product of capacitance in μF and voltage in V.

See pages 21 and 22 for taping specifications.

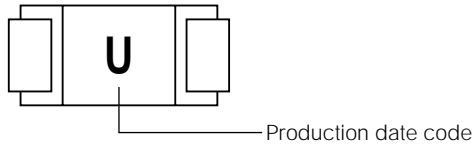
MARKINGS

The standard marking shows capacitance, DC rated voltage, polarity, and production date code.

–Top face–



–Bottom face–
 [A case]

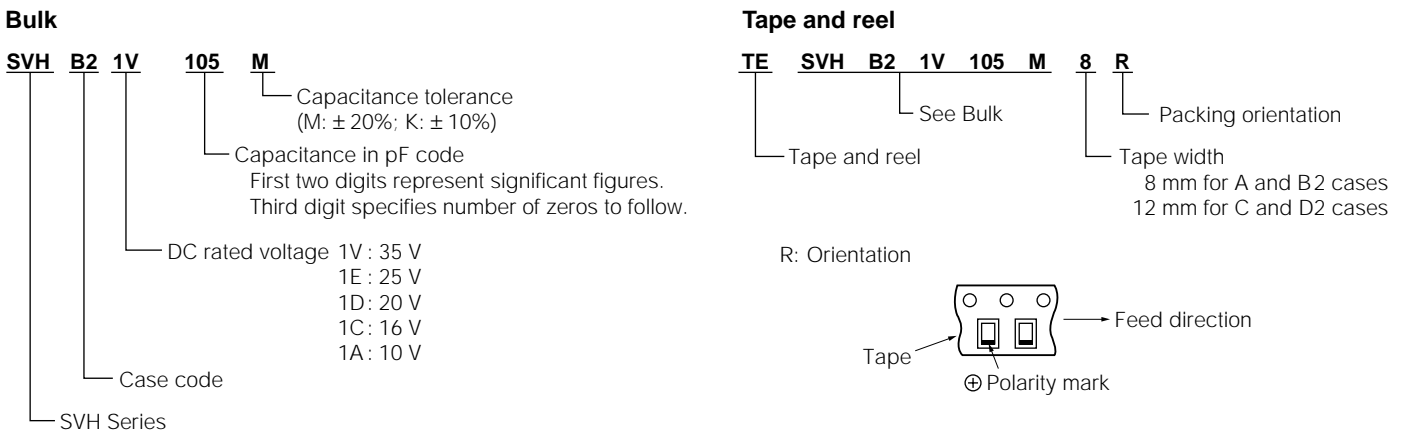


[Marking of production date code]

	Jan.	Feb.	Mar.	Apr.	May	Jun.	Jul.	Aug.	Sep.	Oct.	Nov.	Dec.
1999	a	b	c	d	e	f	g	h	j	k	l	m
2000	n	p	q	r	s	t	u	v	w	x	y	z
2001	A	B	C	D	E	F	G	H	J	K	L	M
2002	N	P	Q	R	S	T	U	V	W	X	Y	Z

Note: Production date code will repeat beginning in 2003.

PART NUMBER SYSTEM



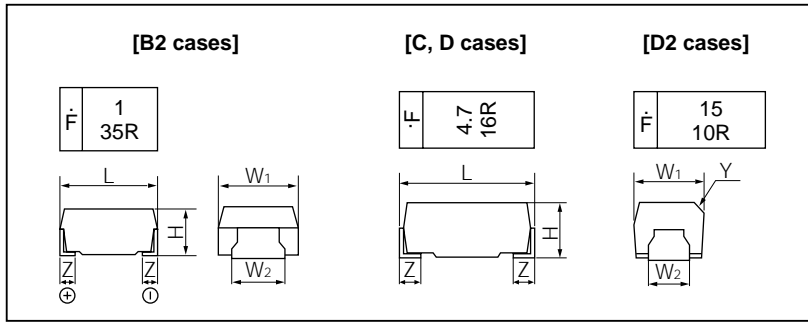
STANDARD RATINGS

Part Number	Capacitance (μF)	Case Code	DC Leakage Current (μA)	Tangent of Loss Angle
35 V Rating				
SVHB21V474M	0.47	B2	0.5	0.04
SVHB21V684M	0.68	B2	0.5	0.04
SVHB21V105M	1	B2	0.5	0.04
SVHC1V155M	1.5	C	0.5	0.04
SVHC1V225M	2.2	C	0.7	0.04
SVHC1V335M	3.3	C	1.2	0.04
SVHD21V475M	4.7	D2	1.6	0.04
SVHD21V685M	6.8	D2	2.3	0.06
25 V Rating				
SVHA1E474M	0.47	A	0.5	0.04
SVHB21E155M	1.5	B2	0.5	0.04
SVHC1E475M	4.7	C	1.1	0.04
SVHD21E106M	10	D2	2.5	0.06
20 V Rating				
SVHA1D684M	0.68	A	0.5	0.04
SVHB21D225M	2.2	B2	0.5	0.04
SVHC1D685M	6.8	C	1.4	0.06
SVHD21D156M	15	D2	3.0	0.06
16 V Rating				
SVHA1C105M	1	A	0.5	0.04
SVHA1C155M	1.5	A	0.5	0.04
SVHB21C335M	3.3	B2	0.5	0.04
SVHC1C106M	10	C	1.6	0.06
SVHD21C226M	22	D2	3.5	0.06
10 V Rating				
SVHA1A225M	2.2	A	0.5	0.04
SVHB21A475M	4.7	B2	0.5	0.04
SVHC1A156M	15	B	1.5	0.06
SVHD21A336M	33	D2	3.3	0.06

Note: Part numbers are for $\pm 20\%$ capacitance tolerance. For $\pm 10\%$ units, change the letter from M to K.

SV/F Series Tantalum Chip Capacitors (Fuse Built-in Type)

DIMENSIONS [mm]



(Unit: mm)

Case Code	L	W ₁	W ₂	H	Z	Y
B2	3.5 ± 0.2	2.8 ± 0.2	2.3 ± 0.1	1.9 ± 0.2	0.8 ± 0.2	–
C	6.0 ± 0.2	3.2 ± 0.2	2.2 ± 0.1	2.5 ± 0.2	1.3 ± 0.2	0.4 C
D2	5.8 ± 0.2	4.6 ± 0.2	2.4 ± 0.1	3.2 ± 0.2	1.3 ± 0.2	–
D	7.3 ± 0.2	4.3 ± 0.2	2.4 ± 0.1	2.8 ± 0.2	1.3 ± 0.2	0.5 C

DC Rated Voltage (Vdc) μF	10	16	20	25	35	50
1					B2	C
1.5				B2		
2.2			B2		C	
3.3		B2		C		D2
4.7	B2	C	C		D2, D	
6.8		C		D2, D	D	
10		C	D2, D	D		
15	C, D2	D2, D	D			
22		D2, D	D			
33	D2, D	D				
47	D					

PERFORMANCE CHARACTERISTICS

Operating temperature range
–55 to +125°C with proper voltage derating as shown in the following table.

DC working voltage and surge voltage

Rated voltage	10	16	20	25	35	50	V
Working	at 85°C	10	16	20	25	35	50
	at 125°C	6.3	10	13	16	22	32
Surge	at 85°C	13	20	26	33	46	65

Capacitance (at 20°C, 120 Hz)

Range: 1 μF to 47 μF
Tolerance: ±20%, ±10%

Capacitance change with temperature
Not to exceed –12% at –55°C, +12% at 85°C, and +15% at 125°C

Tangent of loss angle (at 20°C, 120 Hz)

1 μF to 4.7 μF: less than 0.04
6.8 μF to 47 μF: less than 0.06

DC leakage current (at 20°C)

0.01 C·V^{Note} μA or 0.5 μA, whichever is greater

Damp heat (90 to 95% RH at 40°C, 56 days (1344 h))

Capacitance change: ±5%
Tangent of loss angle: 150% of initial requirements
DC leakage current: initial requirements

Endurance (at 85°C, DC rated voltage, 2000 h)

Capacitance change: ±10%
Tangent of loss angle: initial requirements
DC leakage current: 125% of initial requirements

Resistance to soldering heat

(solder reflow at 260°C, 10 s.
or solder dip at 260°C, 5 s.)
Capacitance change: ±5%
Leakage current: initial requirements
Tangent of loss angle: initial requirements

Fuse blow-out characteristic

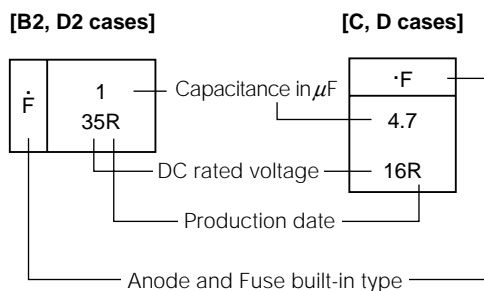
Blow-out time:
B2 case: 5 s Max. with 2 A applied
C case: 10 s Max. with 2 A applied
D2, D cases: 20 s Max. with 2 A applied

Note: Product of capacitance in μF and voltage in V.

See pages 21 and 22 for taping specifications.

MARKINGS

The standard marking shows capacitance, DC rated voltage, polarity, and fuse built-in type.



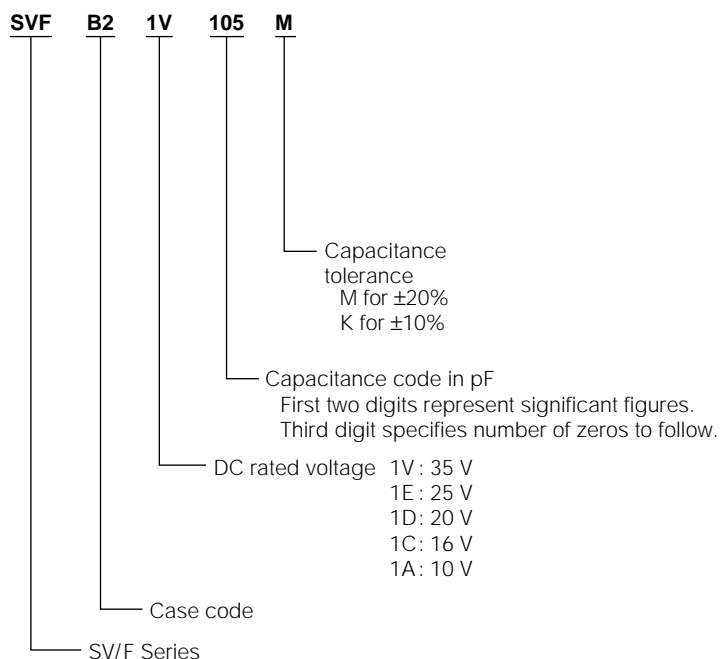
[Marking of production date code]

Y	M	Jan.	Feb.	Mar.	Apr.	May	Jun.	Jul.	Aug.	Sep.	Oct.	Nov.	Dec.
1999		a	b	c	d	e	f	g	h	j	k	l	m
2000		n	p	q	r	s	t	u	v	w	x	y	z
2001		A	B	C	D	E	F	G	H	J	K	L	M
2002		N	P	Q	R	S	T	U	V	W	X	Y	Z

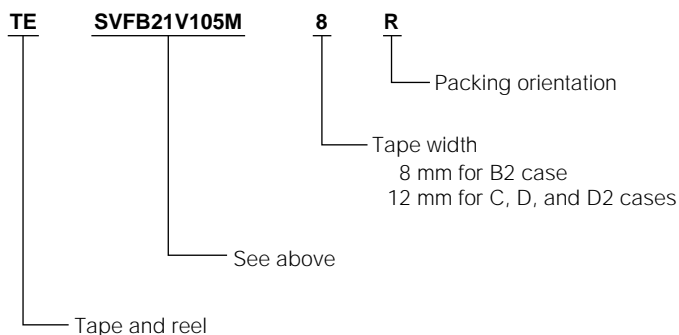
Note: Production date code will repeat beginning in 2003.

PART NUMBER SYSTEM

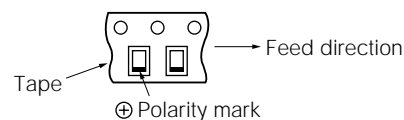
Bulk



Tape and Reel



R: Orientation



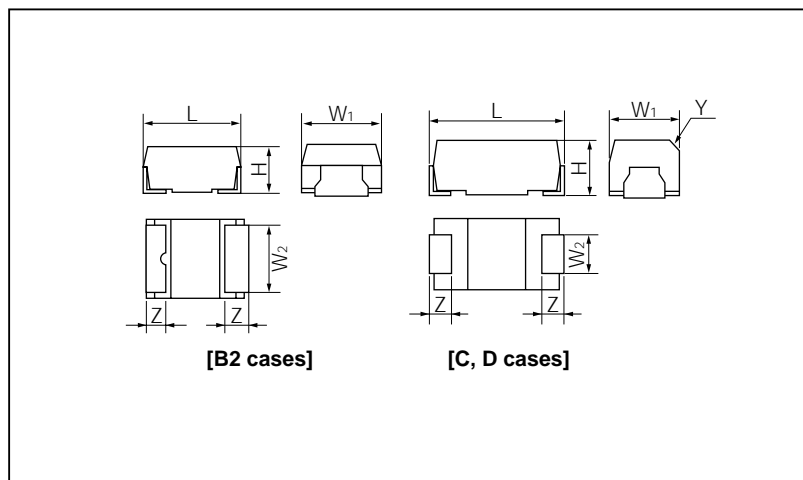
STANDARD RATINGS

Part Number	Capacitance (μF)	Case Code	DC Leakage Current (μA)	Tangent of Loss Angle
50 V Rating				
SVFC1H105M	1	C	0.5	0.04
SVFD21H335M	3.3	D2	1.7	0.04
35 V Rating				
SVFB21V105M	1	B2	0.5	0.04
SVFC1V225M	2.2	C	0.7	0.04
SVFD21V475M	4.7	D2	1.6	0.04
SVFD1V475M	4.7	D	1.6	0.04
SVFD1V685M	6.8	D	2.5	0.06
25 V Rating				
SVFB21E155M	1.5	B2	0.5	0.04
SVFC1E335M	3.3	C	0.8	0.04
SVFD21E685M	6.8	D2	1.7	0.06
SVFD1E685M	6.8	D	1.7	0.06
SVFD1E106M	10	D	2.5	0.06
20 V Rating				
SVFB21D225M	2.2	B2	0.5	0.04
SVFC1D475M	4.7	C	0.9	0.04
SVFD21D106M	10	D2	2.0	0.06
SVFD1D106M	10	D	2.0	0.06
SVFD1D156M	15	D	3.0	0.06
SVFD1D226M	22	D	4.4	0.06
16 V Rating				
SVFB21D335M	3.3	B2	0.5	0.04
SVFC1C475M	4.7	C	0.7	0.04
SVFC1C685M	6.8	C	1.0	0.06
SVFC1C106M	10	C	1.6	0.06
SVFD21C156M	15	D2	2.4	0.06
SVFD21C226M	22	D2	3.5	0.06
SVFD1C156M	15	D	2.4	0.06
SVFD1C226M	22	D	3.5	0.06
SVFD1C336M	33	D	5.3	0.06
10 V Rating				
SVFB21A475M	4.7	B2	0.5	0.04
SVFC1A156M	15	C	1.5	0.06
SVFD21A156M	15	D2	1.5	0.06
SVFD21A336M	33	D2	3.3	0.06
SVFD1A336M	33	D	3.3	0.06
SVFD1A476M	47	D	4.7	0.06

Note: Part numbers are for ±20% capacitance tolerance. For ±10% units, change the letter from M to K.

SV/Z Series Tantalum Chip Capacitors (Low-ESR Type)

DIMENSIONS [mm]



Case Code	L	W ₁	W ₂	H	Z	Y
B2	3.5 ± 0.2	2.8 ± 0.2	2.3 ± 0.1	1.9 ± 0.2	0.8 ± 0.2	–
C	6.0 ± 0.2	3.2 ± 0.2	2.2 ± 0.1	2.5 ± 0.2	1.3 ± 0.2	0.4 C
D	7.3 ± 0.2	4.3 ± 0.2	2.4 ± 0.1	2.8 ± 0.2	1.3 ± 0.2	0.5 C

DC Rated Voltage (Vdc)	DC Rated Voltage (Vdc)		
	4	6.3	10
10			B2
15			
22		B2	C
33			C
47			C
68			
100			D
150		D	D
220	D	D	
330	D		

PERFORMANCE CHARACTERISTICS

Operating temperature range
–55 to +125°C with proper voltage derating as shown in the following table.

DC working voltage and surge voltage

Rated voltage	4	6.3	10	V
Working	at 85°C	4	6.3	10
	at 125°C	2.5	5	8
Surge	at 85°C	5.2	8	13

Capacitance (at 20°C, 120 Hz)
Range: 10 μF to 330 μF
Tolerance: ± 20%

Capacitance change with temperature
Not to exceed –12% at –55°C, +12% at 85°C, and +15% at 125°C

Tangent of loss angle (at 20°C, 120 Hz)
Refer to Standard Ratings

DC leakage current (at 20°C)
0.01 C·V⁽¹⁾ μA or 0.5 μA, whichever is greater

Equivalent series resistance (ESR)(at 20°C, 100 kHz)
Refer to Standard Ratings

Damp heat (90 to 95% RH at 40°C, 56 days (1344 h))
Capacitance change: ± 5% (±12%)⁽²⁾
Tangent of loss angle: 150% of initial requirements
DC leakage current: initial requirements

Endurance (at 85°C, DC rated voltage, 2000 h)
Capacitance change: ±10% (±12%)⁽²⁾
Tangent of loss angle: initial requirements
DC leakage current: 125% of initial requirements

Resistance to soldering heat
(solder reflow at 260°C, 10 s. or solder dip at 260°C, 5 s.)
Capacitance change: ±5% (±12%)⁽²⁾
Tangent of loss angle: initial requirements
DC leakage current: initial requirements

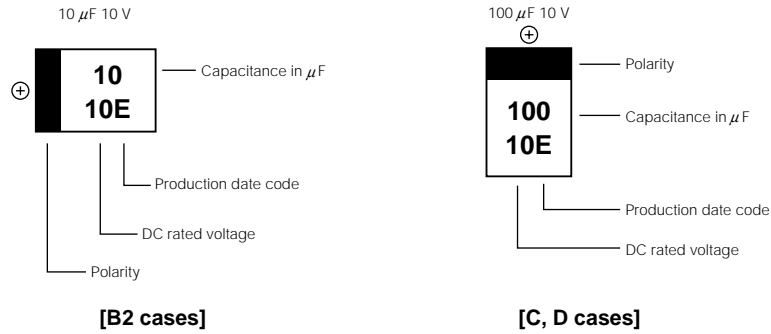
Note 1 Product of capacitance in μF and voltage in V.

2 Capacitance change of ±12% applies to 10 V/150 μF, 6.3 V/220 μF, 4 V/330 μF products in D case.

See pages 21 and 22 for taping specifications.

MARKINGS

The standard marking shows capacitance, DC rated voltage, polarity, and production date code.



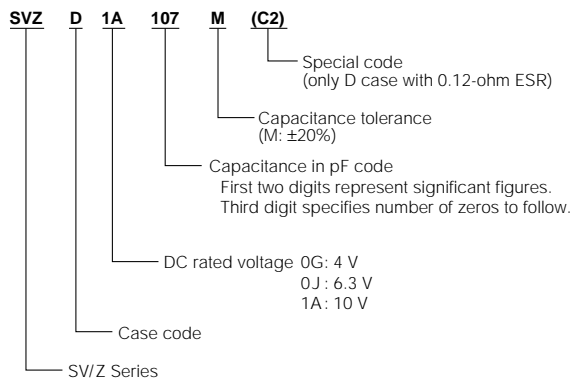
[Marking of production date code]

	Jan.	Feb.	Mar.	Apr.	May	Jun.	Jul.	Aug.	Sep.	Oct.	Nov.	Dec.
1999	a	b	c	d	e	f	g	h	j	k	l	m
2000	n	p	q	r	s	t	u	v	w	x	y	z
2001	A	B	C	D	E	F	G	H	J	K	L	M
2002	N	P	Q	R	S	T	U	V	W	X	Y	Z

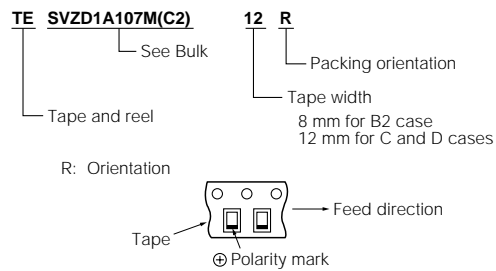
Note: Production date code will repeat beginning in 2003.

PART NUMBER SYSTEM

Bulk



Tape and Reel

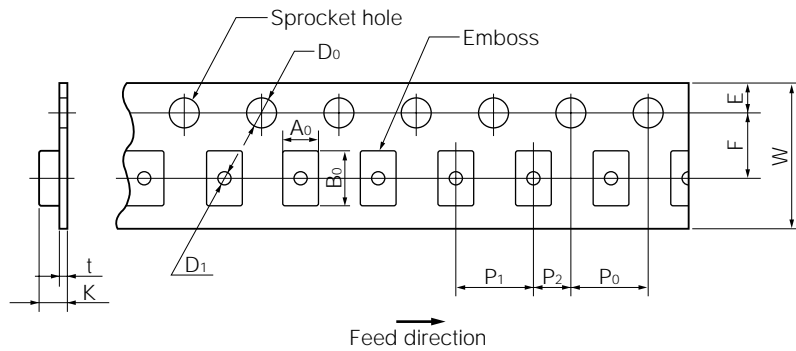


STANDARD RATINGS

Part Number	Capacitance (μ F)	Case Code	DC Leakage Current (μ A)	Tangent of Loss Angle	ESR (Ω)
10 V Rating					
SVZB21A106M	10	B2	1.0	0.08	0.9
SVZC1A226M	22	C	2.2	0.08	0.5
SVZC1A336M	33	C	3.3	0.08	0.4
SVZC1A476M	47	C	4.7	0.08	0.3
SVZD1A107M	100	D	10.0	0.08	0.1
SVZD1A107M(C2)	100	D	10.0	0.08	0.12
SVZD1A157M	150	D	15.0	0.10	0.1
SVZD1A157M(C2)	150	D	15.0	0.10	0.12
6.3 V Rating					
SVZB20J226M	22	B2	1.3	0.08	0.8
SVZD0J157M	150	D	9.4	0.08	0.1
SVZD0J157M(C2)	150	D	9.4	0.08	0.12
SVZD0J227M	220	D	13.8	0.12	0.1
SVZD0J227M(C2)	220	D	13.8	0.12	0.12
4 V Rating					
SVZD0G227M	220	D	8.8	0.08	0.1
SVZD0G227M(C2)	220	D	8.8	0.08	0.12
SVZD0G337M	330	D	13.2	0.14	0.1
SVZD0G337M(C2)	330	D	13.2	0.14	0.12

TAPE AND REEL SPECIFICATIONS

PLASTIC TAPE CARRIER

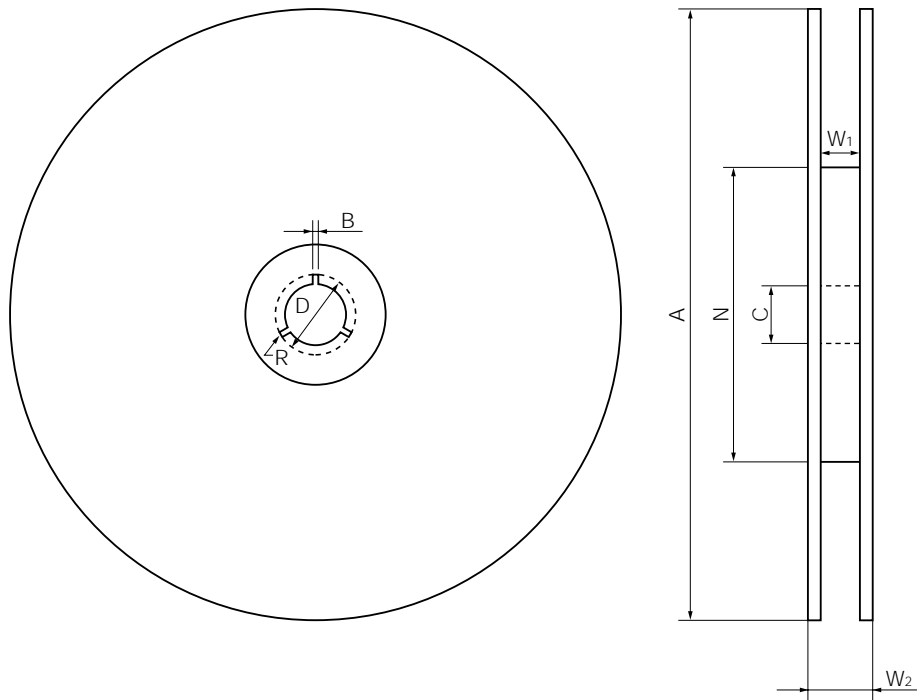


Unit: mm

Case Code	$A_0 \pm 0.2$	$B_0 \pm 0.2$	$K \pm 0.2$
P	1.4	2.2	1.4
A2	1.9	3.5	1.4
A	1.9	3.5	1.9
B3	3.2	3.8	1.4
B2	3.3	3.8	2.1
B	3.1	5.1	2.6
C	3.7	6.4	3.0
D2	5.1	6.2	3.6
D	4.8	7.7	3.3

Case Code	$W \pm 0.3$	$F \pm 0.05$	$E \pm 0.1$	$P_1 \pm 0.1$	$P_2 \pm 0.05$	$P_0 \pm 0.1$	$D_0^{+0.1}_0$	t	D1
P, A2, A, B3, B2	8	3.5	1.75	4	2	4	$\phi 1.5$	0.2	$\phi 1.0$
B	12	5.5		8				0.3	$\phi 1.5$
C			0.3		$\phi 1.5$				
D2			0.4						
D	0.3								

REEL



Unit: mm

Tape Width	A ± 2	N Min.	C ± 0.5	D ± 0.5	B ± 0.5	W ₁	W ₂ Max.	R
8 mm	φ180	φ50	φ13	φ21	2	9.0 ± 0.3	11.4 ± 1.0	1
12 mm						13.0 ± 0.3	15.4 ± 1.0	
8 mm	φ330	φ80	φ13	φ21	2	9.5 ± 0.5	14.5 Max.	1
12 mm						13.5 ± 0.5	18.5Max.	

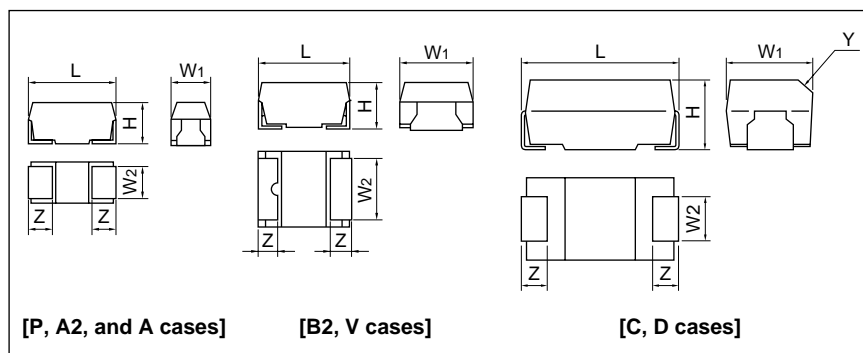
Case Code	φ180 Reel	φ330 Reel
P	3000	—
A2 (U)	3000	10,000
A	2000	9000
B3 (W)	3000	—
B2 (S)	2000	5000
B	1500	5000
C, D2 (Y), D	500	2500

[Quantity Per Reel]

CONDUCTIVE POLYMER TANTALUM CAPACITORS (NeoCapacitors)

PS/L Series NeoCapacitors

DIMENSIONS [mm]



Unit: mm

Case Code	EIA code	L	W ₁	W ₂	H	Z	Y
P	2012	2.0 ± 0.2	1.25 ± 0.2	0.9 ± 0.1	1.1 ± 0.1	0.5 ± 0.2	–
A2	3216L	3.2 ± 0.2	1.6 ± 0.2	1.2 ± 0.1	1.1 ± 0.1	0.8 ± 0.2	–
A	3216	3.2 ± 0.2	1.6 ± 0.2	1.2 ± 0.1	1.6 ± 0.2	0.8 ± 0.2	–
B2	3528	3.5 ± 0.2	2.8 ± 0.2	2.3 ± 0.1	1.9 ± 0.2	0.8 ± 0.2	–
C	6032	6.0 ± 0.2	3.2 ± 0.2	2.2 ± 0.1	2.5 ± 0.2	1.3 ± 0.2	0.4 C
V	7343L	7.3 ± 0.2	4.3 ± 0.2	2.4 ± 0.1	1.9 ± 0.1	1.3 ± 0.2	–
D	7343	7.3 ± 0.2	4.3 ± 0.2	2.4 ± 0.1	2.8 ± 0.2	1.3 ± 0.2	0.5 C

DC Rated Voltage (Vdc)	DC Rated Voltage (Vdc)		
	4	6.3	10
3.3			A
4.7		P	A2, A
6.8		A	A, B2
10	P, A	A2, A	B2
15		A, B2	B2, C
22	B2	A, B2	B2, C
33		B2	B2, C
47		B2, C	C, V, D
68	C		D
100	B2		D
150		V, D	
220	V, D	D	
330	D	D	

PERFORMANCE CHARACTERISTICS

Operating temperature range
–55 to +105°C with no voltage derating

Surge voltage

Rated voltage	4	6.3	10	V
Surge	5.2	8	13	V

Capacitance (at 20°C, 1 kHz)
Range: 3.3 μF to 330 μF
Tolerance: ±20%

Capacitance change with temperature
Not to exceed –20% at –55°C, +50% at 85°C

Tangent of loss angle (at 20°C, 1 kHz)
Refer to Standard Ratings

DC leakage current (at 20°C)
0.1 C•V^{Note} μA or 3 μA, whichever is greater

Equivalent series resistance (ESR)
(at 20°C, 100 kHz)
Refer to Standard Ratings

Damp heat (90 to 95% RH at 40°C, 500 h)
Capacitance: +30% to –20% of rated capacitance
Tangent of loss angle: 150% of initial requirements
DC leakage current: initial requirements

Endurance (at 85°C, DC rated voltage, 1000 h)
Capacitance change: ±20%
Tangent of loss angle: 150% of initial requirements
DC leakage current: initial requirements

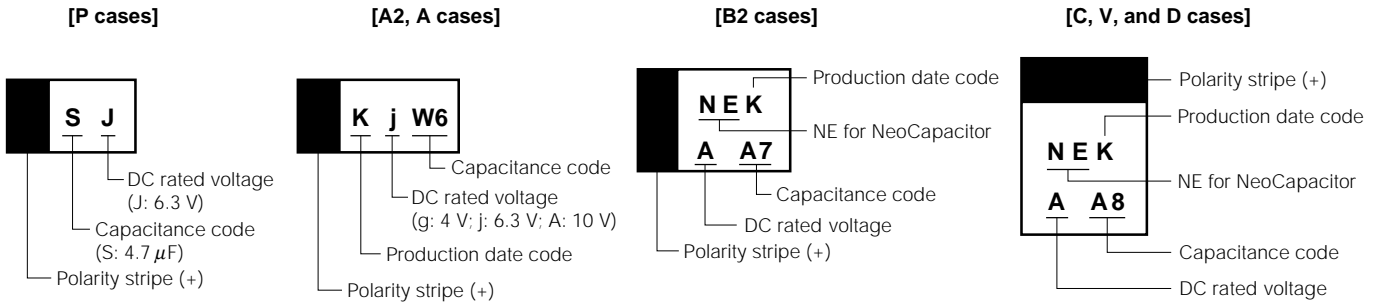
Resistance to soldering heat
(solder reflow at 240°C, 10 s.)
Capacitance change: ±20%
Tangent of loss angle: initial requirements
DC leakage current: initial requirements

Permissible ripple current
0.5 Arms, 0.7 Ap-p (P case)
0.7 Arms, 1 Ap-p (A2, A cases)
0.9 Arms, 1.5 Ap-p (B2 case)
1.5 Arms, 2.0 Ap-p (C case)
1.7 Arms, 2.5 Ap-p (V case)
1.5 Arms, 2.5 Ap-p (D case)

Note: Product of capacitance in μF and voltage in V.

See pages 29 and 30 for taping specifications.

MARKINGS



[Capacitance code]

Code	A	E	J	N	S	W	Code	6	7	8
Number	1	1.5	2.2	3.3	4.7	6.8	Multiplier	10 ⁶	10 ⁷	10 ⁸

Example: A7 = 1.0 × 10⁷ = 10⁷ (pF) = 10 μF

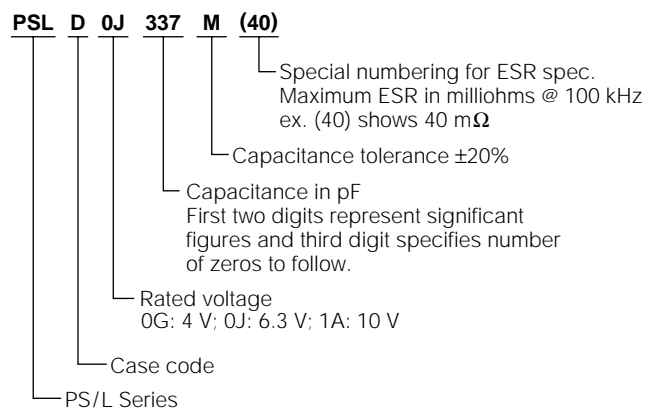
[Production date code]

Month Year	Jan.	Feb.	Mar.	Apr.	May	Jun.	Jul.	Aug.	Sep.	Oct.	Nov.	Dec.
1999	a	b	c	d	e	f	g	h	j	k	l	m
2000	n	p	q	r	s	t	u	v	w	x	y	z
2001	A	B	C	D	E	F	G	H	J	K	L	M
2002	N	P	Q	R	S	T	U	V	W	X	Y	Z

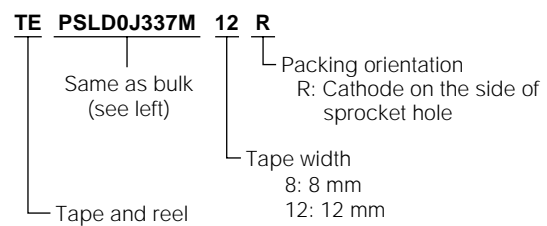
Note: Date code will repeat beginning in 2003.

PART NUMBER SYSTEM

Bulk



Tape and Reel

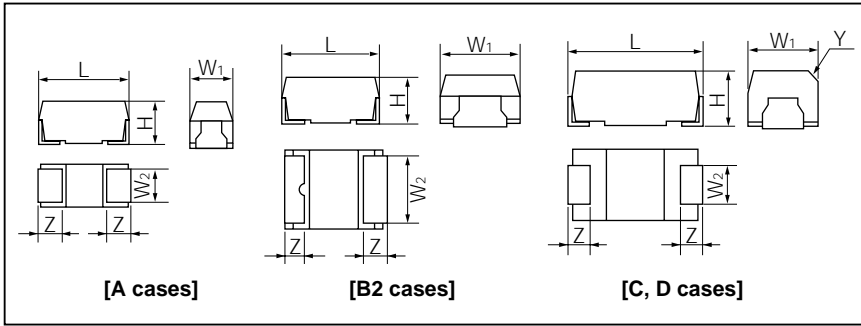


STANDARD RATINGS

Part Number	Capacitance (μF)	Case Code	DC Leakage Current (μA)	Tangent of Loss Angle	ESR ($\text{m}\Omega$)	Permissible Ripple Current (Ap-p)
4 V Rating						
PSLP0G106M	10	P	4	0.15	500	0.7
PSLA0G106M	10	A	4	0.15	500	1.0
PSLB20G226M	22	B2	8.8	0.15	300	1.5
PSLC0G686M	68	C	27.2	0.25	100	2.0
PSLB20G107M	100	B2	40	0.25	80	1.5
PSLV0G227M	220	V	88	0.50	45	2.5
PSLD0G227M	220	D	88	0.50	80	2.5
PSLD0G227M(60)	220	D	88	0.50	60	2.5
PSLD0G227M(55)	220	D	88	0.50	55	2.5
PSLD0G227M(40)	220	D	88	0.50	40	2.5
PSLD0G337M	330	D	132	0.50	55	2.5
PSLD0G337M(40)	330	D	132	0.50	40	2.5
6.3 V Rating						
PSLP0J475M	4.7	P	2.9	0.09	500	0.7
PSLA0J685M	6.8	A	4.2	0.09	800	1.0
PSLA20J106M	10	A2	6.3	0.15	500	1.0
PSLA0J106M	10	A	6.3	0.15	500	1.0
PSLA0J156M	15	A	9.45	0.15	500	1.0
PSLB20J156M	15	B2	9.4	0.15	300	1.5
PSLA0J226M	22	A	13.8	0.15	500	1.0
PSLB20J226M	22	B2	13.8	0.15	300	1.5
PSLB20J336M	33	B2	20.7	0.15	300	1.5
PSLB20J476M	47	B2	29.6	0.25	200	1.5
PSLC0J476M	47	C	29.6	0.25	100	2.0
PSLC0J686M	68	C	42.8	0.25	100	2.0
PSLV0J157M	150	V	94.5	0.30	45	2.5
PSLD0J157M	150	D	94.5	0.30	80	2.5
PSLD0J157M(60)	150	D	94.5	0.30	60	2.5
PSLD0J157M(55)	150	D	94.5	0.30	55	2.5
PSLD0J157M(40)	150	D	94.5	0.30	40	2.5
PSLD0J227M	220	D	138.6	0.50	80	2.5
PSLD0J227M(55)	220	D	138.6	0.50	55	2.5
PSLD0J227M(40)	220	D	138.6	0.50	40	2.5
PSLD0J337M	330	D	207.9	0.50	55	2.5
PSLD0J337M(40)	330	D	207.9	0.50	40	2.5
PSLD0J337M(25)	330	D	207.9	0.50	25	2.5
10 V Rating						
PSLA1A335M	3.3	A	3.3	0.09	800	1.0
PSLA21A475M	4.7	A2	4.7	0.09	500	1.0
PSLA1A475M	4.7	A	4.7	0.09	800	1.0
PSLA1A685M	6.8	A	6.8	0.15	800	1.0
PSLB21A685M	6.8	B2	6.8	0.15	500	1.5
PSLB21A106M	10	B2	10	0.15	300	1.5
PSLB21A156M	15	B2	9.5	0.15	300	1.5
PSLC1A156M	15	C	15	0.25	200	2.0
PSLB21A226M	22	B2	13.8	0.15	300	1.5
PSLC1A226M	22	C	22	0.25	150	2.0
PSLB21A336M	33	B2	33	0.25	200	2.0
PSLC1A336M	33	C	33	0.25	100	2.0
PSLC1A476M	47	C	47	0.25	100	2.0
PSLV1A476M	47	V	47	0.30	60	2.5
PSLD1A476M	47	D	47	0.30	100	2.5
PSLD1A686M	68	D	68	0.30	100	2.5
PSLD1A107M	100	D	100	0.30	80	2.5
PSLD1A107M(55)	100	D	100	0.30	55	2.5

PS/N Series NeoCapacitors

DIMENSIONS [mm]



(Unit: mm)

Case Code	L	W ₁	W ₂	H	Z	Y
A	3.2 ± 0.2	1.6 ± 0.2	1.2 ± 0.1	1.6 ± 0.2	0.8 ± 0.2	–
B2	3.5 ± 0.2	2.8 ± 0.2	2.3 ± 0.1	1.9 ± 0.2	0.8 ± 0.2	–
C	6.0 ± 0.2	3.2 ± 0.2	2.2 ± 0.1	2.5 ± 0.2	1.3 ± 0.2	0.4 C
D	7.3 ± 0.2	4.3 ± 0.2	2.4 ± 0.1	2.8 ± 0.2	1.3 ± 0.2	0.5 C

DC Rated Voltage (Vdc)	4	6.3	10	16
3.3			A	A
4.7			A	B2
6.8		A	B2	B2
10	A	A	B2	
15		B2	C	
22	B2		C	
33			C	
47		C	D	
68	C		D	
100			D	
150		D		
220	D			

PERFORMANCE CHARACTERISTICS

Operating temperature range
–55 to +85°C with no voltage derating

Surge voltage

Rated voltage	4	6.3	10	16	V
Surge	5.2	8	13	20	V

Capacitance (at 20°C, 1 kHz)

Range: 3.3 μF to 220 μF
Tolerance: ±20%

Capacitance change with temperature

Not to exceed –20% at –55°C, +50% at 85°C

Tangent of loss angle (at 20°C, 1 kHz)

Refer to Standard Ratings

DC leakage current (at 20°C)

0.1 C•V^{Note} μA or 3 μA, whichever is greater

Equivalent series resistance (ESR)

(at 20°C, 100 kHz)

Refer to Standard Ratings

Damp heat (90 to 95% RH at 40°C, 500 h)

Capacitance ±30% to –20% of rated capacitance

Tangent of loss angle: 150% of initial requirements

DC leakage current: initial requirements

Endurance (at 85°C, DC rated voltage, 1000 h)

Capacitance change: ±20%

Tangent of loss angle: 150% of initial requirements

DC leakage current: initial requirements

Resistance to soldering heat

(solder reflow at 240°C, 10 s.)

Capacitance change: ±20%

Tangent of loss angle: initial requirements

DC leakage current: initial requirements

Permissible ripple current

0.7 Arms, 1 Ap-p (A case)

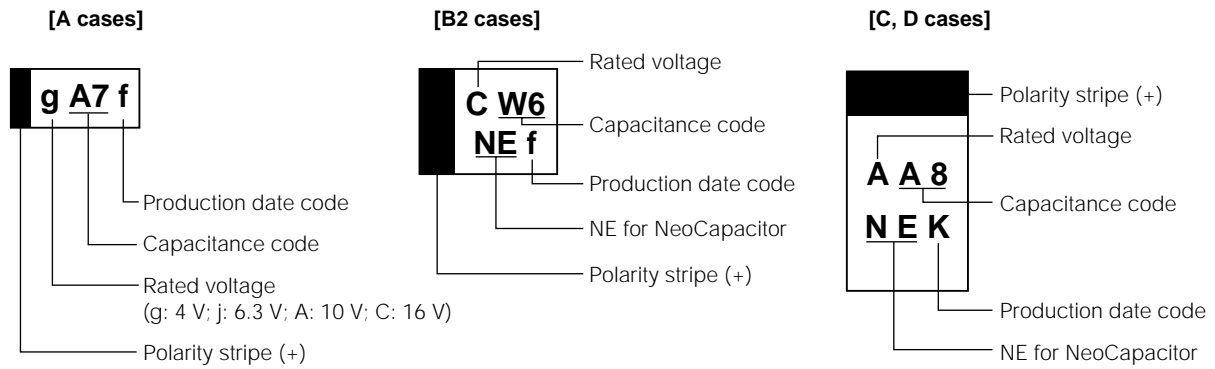
0.9 Arms, 1.5 Ap-p (B2 case)

1.5 Arms, 2.5 Ap-p (C, D cases)

Note: Product of capacitance in μF and voltage in V.

See pages 29 and 30 for taping specifications.

MARKINGS



[Capacitance code]

Code	A	E	J	N	S	W	Code	4	5	6	7	8
Number	1.0	1.5	2.2	3.3	4.7	6.8	Multiplier	10 ⁴	10 ⁵	10 ⁶	10 ⁷	10 ⁸

Example: A7 = 1.0 × 10⁷ = 10⁷ pF = 10 μF

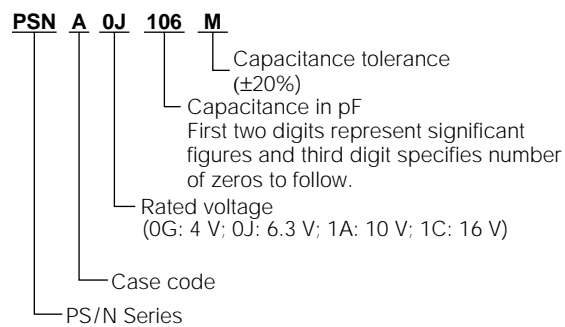
[Production date code]

Month Year	Jan.	Feb.	Mar.	Apr.	May	Jun.	Jul.	Aug.	Sep.	Oct.	Nov.	Dec.
1999	a	b	c	d	e	f	g	h	j	k	l	m
2000	n	p	q	r	s	t	u	v	w	x	y	z
2001	A	B	C	D	E	F	G	H	J	K	L	M
2002	N	P	Q	R	S	T	U	V	W	X	Y	Z

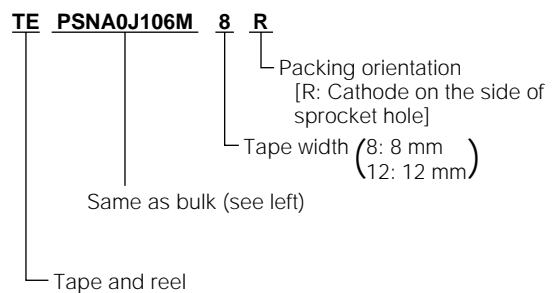
Note: Production date code will repeat beginning in 2003.

PART NUMBER SYSTEM

Bulk



Tape and Reel

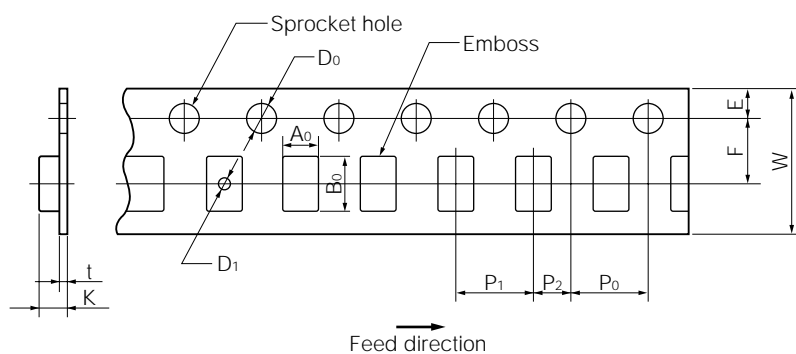


STANDARD RATINGS

Part Number	Capacitance (μF)	Case Code	DC Leakage Current (μA)	Tangent of Loss Angle	ESR (mΩ)	Permissible Ripple Current (Ap-p)
16 V Rating						
PSNA1C335M	3.3	A	5.3	0.09	900	1
PSNB21C475M	4.7	B2	7.5	0.15	600	1.5
PSNB21C685M	6.8	B2	10.9	0.15	600	1.5
10 V Rating						
PSNA1A335M	3.3	A	3.3	0.09	900	1
PSNA1A475M	4.7	A	5.0	0.09	900	1
PSNB21A685M	6.8	B2	6.8	0.15	600	1.5
PSNB21A106M	10	B2	10.0	0.15	400	1.5
PSNC1A156M	15	C	15.0	0.20	250	2.5
PSNC1A226M	22	C	22.0	0.20	200	2.5
PSNC1A336M	33	C	33.0	0.20	150	2.5
PSND1A476M	47	D	47.0	0.30	150	2.5
PSND1A686M	68	D	68.0	0.30	120	2.5
PSND1A107M	100	D	100	0.30	80	2.5
6.3 V Rating						
PSNA0J685M	6.8	A	4.2	0.09	900	1
PSNA0J106M	10	A	6.3	0.15	600	1
PSNB20J156M	15	B2	9.5	0.15	400	1.5
PSNC0J476M	47	C	29.6	0.20	150	2.5
PSND0J157M	150	D	94.5	0.30	80	2.5
4 V Rating						
PSNA0G106M	10	A	4.0	0.15	600	1
PSNB20G226M	22	B2	8.8	0.15	400	1.5
PSNC0G686M	68	C	27.2	0.20	150	2.5
PSND0G227M	220	D	88.0	0.50	80	2.5

TAPE AND REEL SPECIFICATIONS

Plastic Tape Carrier

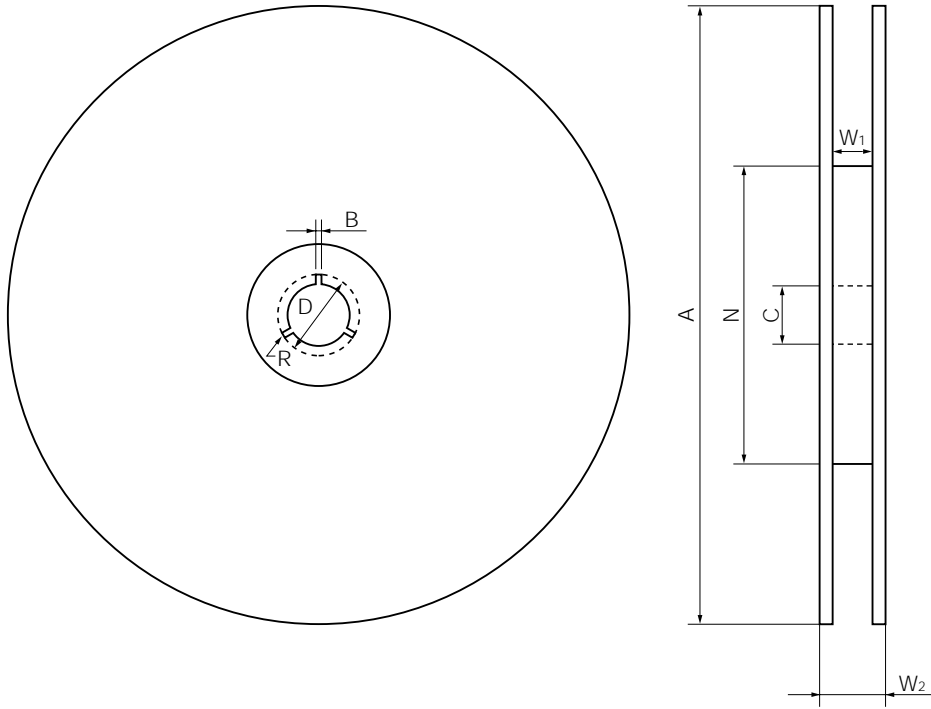


Unit: mm

Case Code	$A_0 \pm 0.2$	$B_0 \pm 0.2$	$K \pm 0.2$
P	1.4	2.2	1.4
A2 (U)	1.9	3.5	1.4
A	1.9	3.5	1.9
B2 (S)	3.3	3.8	2.1
C	3.7	6.4	3.0
V	4.6	7.7	2.4
D	4.8	7.7	3.3

Case Code	$W \pm 0.3$	$F \pm 0.05$	$E \pm 0.1$	$P_1 \pm 0.1$	$P_2 \pm 0.05$	$P_0 \pm 0.1$	$D_0^{+0.1}$	$D_1^{+0.1}$	t
P	8	3.5	1.75	4	2	4	$\phi 1.5$	—	0.2
A2 (U)									
A									
B2 (S)									
C	12	5.5	8	8	8	8	$\phi 1.5$	0.3	
V								0.4	
D								0.3	

REEL



Unit: mm

Tape Width	A ± 2	N Min.	C ± 0.5	D ± 0.5	B ± 0.5	W ₁	W ₂ Max.	R
8 mm	φ180	φ50	φ13	φ21	2	9.0 ± 0.3	11.4 ± 1.0	1
12 mm						13.0 ± 0.3	15.4 ± 1.0	
8 mm	φ330	φ80	φ13	φ21	2	9.5 ± 0.5	14.5 Max.	1
12 mm						13.5 ± 0.5	18.5 Max.	

Case Code	φ180 Reel	φ330 Reel
P	3000	—
A2 (U)	3000	10,000
A	2000	9000
B2 (S)	2000	5000
V	1000	3000
C, D	500	2500

[Quantity Per Reel]

NOTES ON USING THE SOLID TANTALUM CAPACITORS

1. Circuit Design

(1) Reliability

The reliability of the solid tantalum capacitor is heavily influenced by environmental conditions such as temperature, humidity, shock, vibration, mechanical stresses, and electric stresses, including applied voltage, current, ripple current, transient current and voltage, and frequency. When using solid tantalum capacitors, therefore, provide enough margin so that the reliability of the capacitors is maintained.

Voltage and temperature are important parameters when estimating the reliability (field failure rate).

The field failure rate of a solid tantalum capacitor can be calculated by the following expression if emphasis is placed only on the voltage and temperature:

$$\lambda = \lambda_0(V/V_0)^3 \times 2^{(T-T_0)/10}$$

Where

λ : estimated failure rate in actual working condition

temperature: T; voltage: V

λ_0 : failure rate under rated load (See table below.)

temperature: T_0 ; voltage: V_0

Failure rate level λ_0 of each series

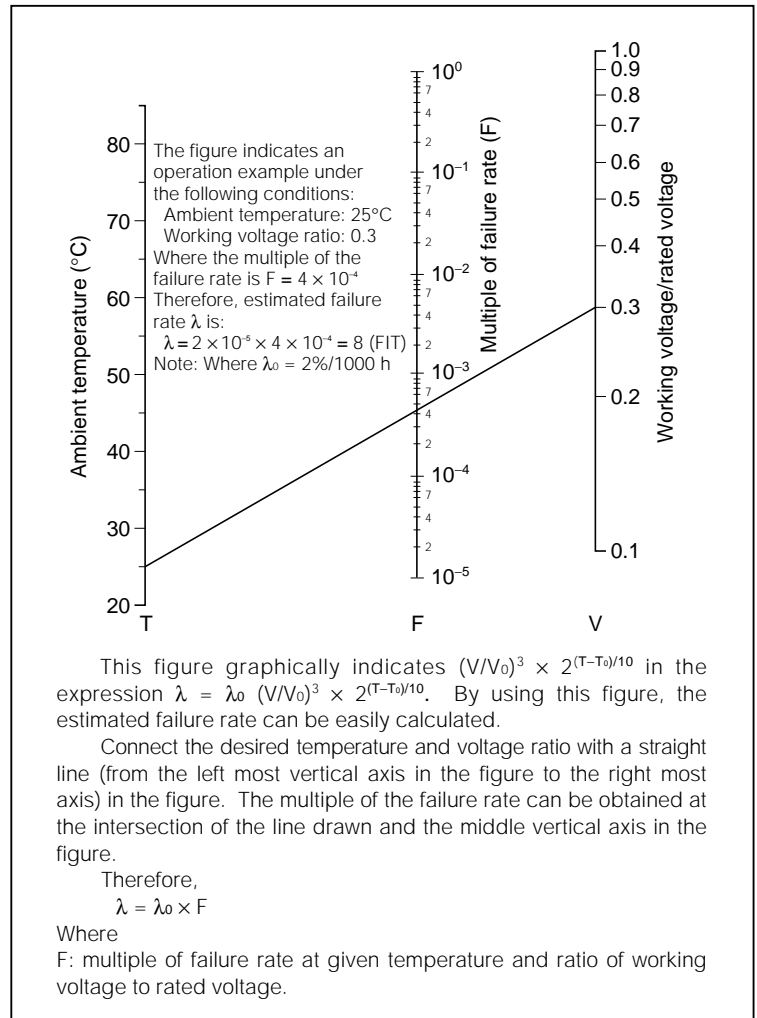
Series	Failure rate level
PS/L	1%/1000 h
PS/N	1%/1000 h
R (standard)	1%/1000 h
R (extended)	1%/1000 h
SV/S	1%/1000 h
SV/H	0.5%/1000 h
SV/F	1%/1000 h
SV/Z	1%/1000 h

<Test conditions>

Temperature: 85°C

Voltage: rated voltage

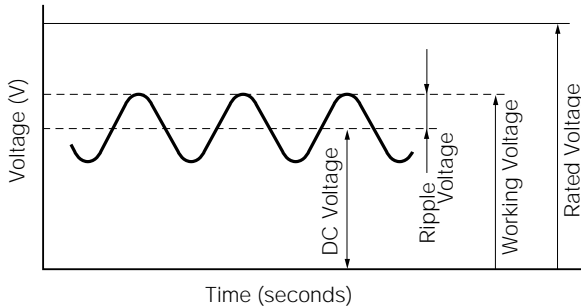
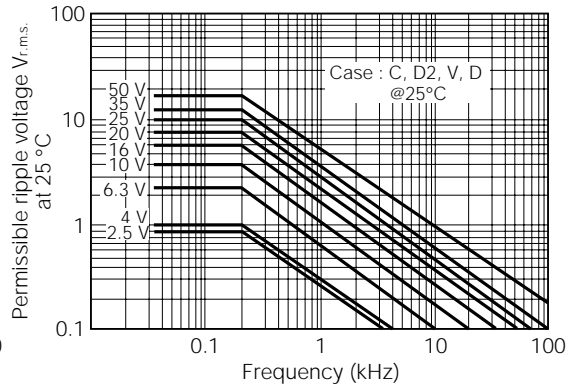
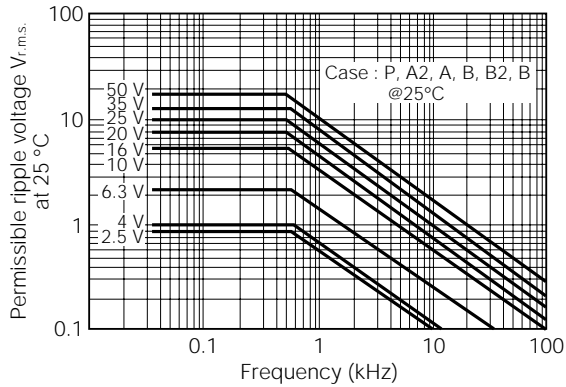
R_s : 3 Ω



2. Ripple Voltage

- (1) Keep the sum of the DC voltage and peak value of the ripple voltage within the rated voltage.
- (2) If a ripple voltage is applied to the capacitor, the peak value of the ripple voltage must be kept within the values shown in the following figures:

Chips



Calculate the permissible ripple voltage at a temperature higher than that specified in these figures by using the following expressions:

$$V_{r.m.s.} \text{ (at } 50^{\circ}\text{C)} = 0.7 \times V_{r.m.s.} \text{ (at } 25^{\circ}\text{C)}$$

$$V_{r.m.s.} \text{ (at } 85^{\circ}\text{C)} = 0.5 \times V_{r.m.s.} \text{ (at } 25^{\circ}\text{C)}$$

$$V_{r.m.s.} \text{ (at } 125^{\circ}\text{C)} = 0.3 \times V_{r.m.s.} \text{ (at } 25^{\circ}\text{C)}$$

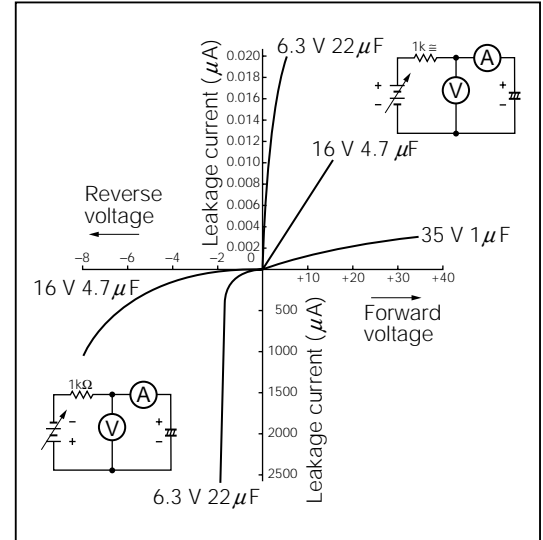
- (3) Keep the negative peak value of the ripple voltage within the permissible reverse voltage value specified in the following section, Reverse Voltage.

3. Reverse Voltage

- (1) Because the solid tantalum capacitor is of polar type, do not apply a reverse voltage to it. If reverse voltage cannot be avoided, it must be applied for a short time and must not exceed the following values:

25°C 10% max. of rated voltage or 3 Vdc, whichever is smaller
 85°C 5% max. of rated voltage
 125°C 1% max. of rated voltage

- (2) The figure on the right shows the relationship between current and reverse voltage.



4. Applied Voltage

- (1) For general applications, apply 70% or less of the rated voltage to the capacitor.
 (2) When the capacitor is used in a power line or a low-impedance circuit, keep the applied voltage within 30% (50% max.) of the rated voltage to avoid the adverse influence of inrush current.
 (3) Derated voltage at 85°C or more.

When using a Chip-type capacitor at a temperature of 85°C or higher, calculate reduced voltage U_T from the following expression. Note, however, that the ambient temperature must not exceed 125°C.

The rated voltage ratio is as shown in the figure on the right.

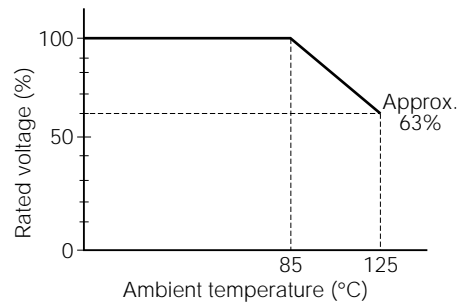
$$U_T = V_0 \frac{U_R - U_C}{40} (T - 85)$$

Where

U_R : rated voltage (V)

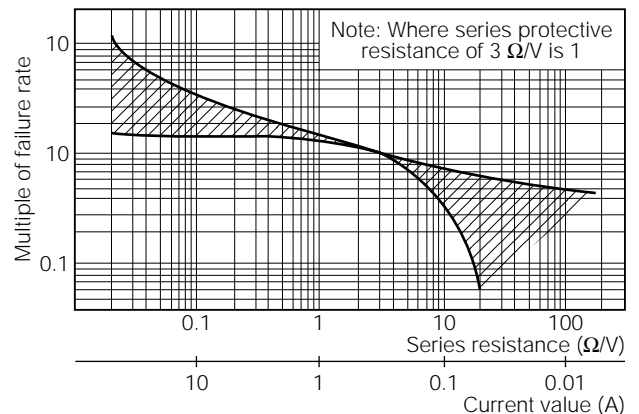
U_C : derated voltage at 125°C

T: ambient temperature (°C)



5. Current (Series Resistance)

As shown in the figure on the right, reliability is increased by inserting a series resistance of at least $3\Omega/V$ into circuits where current flow is momentary (switching circuits, charge/discharge circuits, etc). If the capacitor is in a low-impedance circuit, the voltage applied to the capacitor should be less than 1/2 to 1/3 of the DC rated voltage.



NOTES ON USING THE CHIP TANTALUM CAPACITORS, EXCLUDING NeoCapacitors

1. Mounting

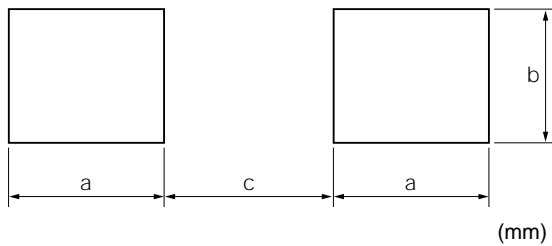
(1) Direct Soldering

Keep the following points in mind when soldering the capacitor by means of jet soldering or dip soldering:

(a) Temporarily fixing resin

Because chip tantalum capacitors are larger and subject to more force than chip multilayer ceramic capacitors or chip resistors, more resin is required to temporarily secure the solid tantalum capacitors. However, if too much resin is used, the resin adhering to the patterns on a printed circuit board may adversely affect the solderability.

(b) Pattern design



(mm)

Case	a	b	c
P	2.2	1.4	0.7
A2 (U), A	2.9	1.7	1.2
B3 (W), B2 (S)	3.0	2.8	1.6
B	3.3	1.9	2.4
C	4.1	2.3	2.4
D2	5.4	2.9	2.4
D	5.2	2.9	3.7

The above dimensions are for reference only. If the capacitor is to be mounted by this method, and if the pattern is too small, the solderability may be degraded.

(c) Temperature and time

Keep the peak temperature and time within the following values:

Solder temperature 260°C max.

Time 5 seconds max. (10 seconds max. for SVH)

Whenever possible, perform preheating (at 150°C max.) for a smooth temperature profile. To maintain reliability, mount the capacitor at low temperature and in a short time.

(d) Component layout

If many types of chip components are mounted on a printed circuit board that is to be soldered by means of jet soldering, solderability may not be uniform over the entire board, depending on the layout and density of the components on the board (also take into consideration generation of flux gas).

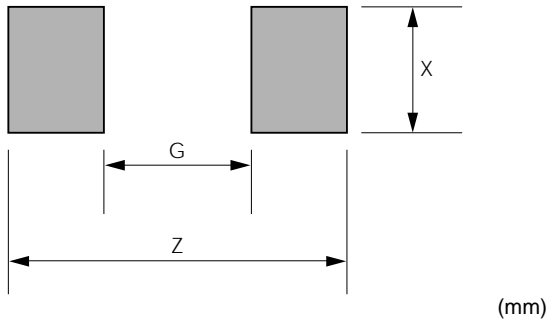
(e) Flux

Use resin-based flux. Do not use flux with strong acidity.

(2) Reflow Soldering

Keep the following points in mind when soldering the capacitor in a soldering oven or with a hot plate:

(a) Pattern design (in accordance with IEC1188)



Case	G Max.	Z Min.	X Min.
P	0.5	2.6	1.2
A2 (U), A	1.1	3.8	1.5
B3 (W), B2 (S)	1.4	4.1	2.7
B	2.6	5.6	2.9
C	2.9	6.9	2.7
D2	2.7	6.7	2.9
D	4.1	8.2	2.9

The above dimensions are recommended. Note that if the pattern is too big, the component may not be mounted in place.

(b) Temperature and time

Keep the peak temperature and time within the following values:

Solder temperature 260°C max.

Time 10 seconds max.

Whenever possible, perform preheating (at 150°C max.) for a smooth temperature profile. To maintain reliability, mount the capacitor at low temperature and in a short time. The peak temperature and time shown above are applicable when the capacitor is to be soldered in a soldering oven or with a hot plate. When the capacitor is soldered by means of infrared reflow soldering, the internal temperature of the capacitor may rise beyond the surface temperature.

(3) Using a Soldering Iron

When soldering the capacitor with a soldering iron, controlling the temperature at the tip of the soldering iron is very difficult. However, it is recommended that the following temperature and time be observed to maintain the reliability of the capacitor:

Iron temperature 300°C max.

Time 3 seconds max.

Iron power 30 W max.

2. Cleaning

Generally, several organic solvents are used for flux cleaning of an electronic component after soldering. Many cleaning methods, such as immersion cleaning, rinse cleaning, brush cleaning, shower cleaning, vapor cleaning, and ultrasonic cleaning, are available; cleaning methods may be used alone or two or more may be used in combination. The temperature of the organic solvent may vary from room temperature to several 10°C, depending on the desired effect. If cleaning is carried out with emphasis placed only on the cleaning effect, however, the marking on the electronic component cleaned may be erased, the appearance of the component may be damaged, and, in the worst case, the component may be functionally damaged. It is therefore recommended that the R series solid tantalum capacitor be cleaned under the following conditions:

Recommended conditions of flux cleaning

- (1) Cleaning solvent Chlorosen, isopropyl alcohol
- (2) Cleaning method Shower cleaning, rinse cleaning, vapor cleaning
- (3) Cleaning time 5 minutes max.

Note. Ultrasonic cleaning

This cleaning method is extremely effective for eliminating dust generated by mechanical processes, but may pose problems depending on the condition. An experiment conducted by NEC confirmed that the external terminals of the capacitor were cut when it was cleaned with some ultrasonic cleaning machines. The cause of this phenomenon is metal fatigue of the capacitor terminals due to ultrasonic cleaning. To prevent the terminal from being cut, decreasing the output power of the ultrasonic cleaning machine or shortening the cleaning time may be effective. However, it is difficult to specify the cleaning conditions because there are many factors involved, such as the conversion efficiency of the ultrasonic oscillator, transfer efficiency of the cleaning bath, difference in cleaning effect depending on the location in the cleaning bath, the size and quantity of the printed circuit boards to be cleaned, and the securing states of the components on the boards. It is therefore recommended that ultrasonic cleaning be avoided as much as possible.

If ultrasonic cleaning is essential, make sure through experiments that no abnormalities occur as a result of the cleaning. For further information, consult NEC.

3. Other

- (1) Do not subject the capacitor to excessive vibration and shock.
- (2) The solderability of the capacitor may be degraded by humidity. Store the capacitor at room temperature (–5 to +40°C) and humidity (40 to 60% RH).
- (3) Take care that no external force is applied to tape-packaged products (if the packaging material is deformed, the capacitor may not be automatically mounted by a chip mounter).

NOTES ON USING NeoCapacitors

1. Permissible Ripple Current

Permissible ripple current shall be derated as follows:

(1) Temperature Change

-55°C to +85°C (+105°C: PS/L only): Rating value (PS/L: p. 25, PS/N: p. 28)

(2) Switching Frequency

1 MHz: Rating value (PS/L: p. 25, PS/N: p. 28)

500 kHz: 0.9 times rating value

100 kHz: 0.75 times rating value

2. Mounting

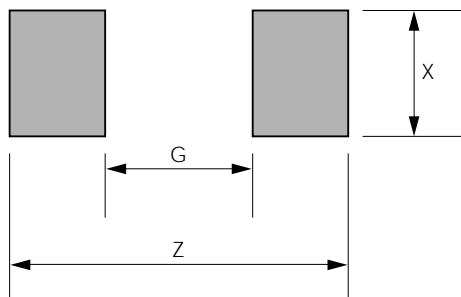
This capacitor is designed to be surface mounted by means of reflow soldering.

(The conditions under which the capacitor should be soldered with a soldering iron are explained in (2) Using a Soldering Iron. Because the capacitor is not designed to be soldered by means of laser beam soldering, VPS, or flow soldering, the conditions for these soldering methods are not explained in this document.

(1) Reflow Soldering

Keep the following points in mind when soldering the capacitor in a soldering oven with a hot plate:

(a) Pattern design (in accordance with IEC1188)



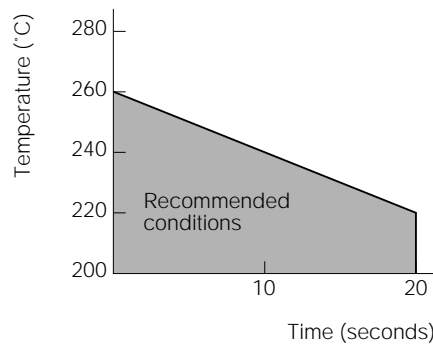
(mm)

Case	G Max.	Z Min.	X Min.
P	0.5	2.6	1.2
A2 (U), A	1.1	3.8	1.5
B2 (S)	1.4	4.1	2.7
C	2.9	6.9	2.7
V, D	4.1	8.2	2.9

The above dimensions are recommended. Note that if the pattern is too big, the component may not be mounted in place.

(b) Temperature and time

Keep the peak temperature and time within the following recommended conditions.



Whenever possible, perform preheating (at 150°C max.) for a smooth temperature profile. To maintain reliability, mount the capacitor at low temperature and in a short time. The peak temperature and time shown above are applicable when the capacitor is to be soldered in a soldering oven or with a hot plate. When the capacitor is soldered by means of infrared reflow soldering, the internal temperature of the capacitor may rise beyond the surface temperature.

(2) Using a Soldering Iron

When soldering the capacitor with a soldering iron, controlling the temperature at the tip of the soldering iron is very difficult. However, it is recommended that the following temperature and time be observed to maintain the reliability of the capacitor:

- Iron temperature ... 300°C max.
- Time 3 seconds max.
- Iron power 30 W max.

3. Cleaning

Generally, several organic solvents are used for flux cleaning of an electronic component after soldering. Many cleaning methods, such as immersion cleaning, rinse cleaning, brush cleaning, shower cleaning, vapor cleaning, and ultrasonic cleaning, are available, which may be used alone or in combination. The temperature of the organic solvent may vary from room temperature to several 10°C, depending on the desired effect. If cleaning is carried out with emphasis placed only on the cleaning effect, however, the marking on the electronic component cleaned may be erased, the appearance of the component may be damaged, and, in the worst case, the component may be functionally damaged. It is therefore recommended that the NeoCapacitor be cleaned under the following conditions:

[Recommended conditions of flux cleaning]

- (1) Cleaning solvent Chlorosen, isopropyl alcohol
- (2) Cleaning method Shower cleaning, rinse cleaning, vapor cleaning
- (3) Cleaning time 5 minutes max.

Note: Ultrasonic cleaning

This cleaning method is extremely effective for eliminating dust generated by mechanical processes, but may pose problems, depending on the condition. An experiment conducted by NEC confirmed that the external terminals of the capacitor were cut when it was cleaned with some ultrasonic cleaning machines. The cause of this phenomenon is metal fatigue of the capacitor terminals due to ultrasonic cleaning. To prevent the terminal from being cut, decreasing the output power of the ultrasonic cleaning machine or decreasing the cleaning time may be effective. However, it is difficult to specify safe cleaning conditions because there are many factors involved, such as the conversion efficiency of the ultrasonic oscillator, transfer efficiency of the cleaning bath, difference in cleaning effect depending on the location in the cleaning bath, the size and quantity of the printed circuit boards to be cleaned, and the securing states of the components on the boards. It is therefore recommended that ultrasonic cleaning be avoided as much as possible.

If ultrasonic cleaning is essential, make sure through experiments that no abnormalities occur as a result of the cleaning. For further information, contact NEC.

4. Other

- (1) Do not subject the capacitor to excessive vibration and shock.
- (2) The solderability of the capacitor may be degraded by humidity. Store the capacitor at room temperature (-5 to $+40^{\circ}\text{C}$) and humidity (40 to 60% RH).
- (3) Take care that no external force is applied to tape-packaged products (if the packaging material is deformed, the capacitor may not be automatically mounted by automatic insertion equipment).

The information in this document is based on documents issued in July, 2000 at the latest. The information is subject to change without notice. For actual design-in, refer to the latest of data sheets, etc., for the most up-to-date specifications of the device.

No part of this document may be copied or reproduced in any form or by any means without the prior written consent of NEC Corporation. NEC Corporation assumes no responsibility for any errors which may appear in this document.

NEC Corporation does not assume any liability for infringement of patents, copyrights, or other intellectual property rights of third parties by or arising from use of a device described herein or any other liability arising from use of such device. No license, either express, implied, or otherwise, is granted under any patents, copyrights, or other intellectual property rights of NEC Corporation or others.

While NEC Corporation has been making a continuous effort to enhance the reliability of its electronic components, the possibility of defects cannot be eliminated entirely. To minimize risks of damage or injury to persons or property arising from a defect in an NEC electronic component, customers must incorporate sufficient safety measures in its design, such as redundancy, fire-containment, and anti-failure features. NEC devices are classified into the following three quality grades:

"Standard," "Special," and "Specific." The Specific quality grade applies only to devices developed based on a customer-designated quality assurance program for a specific application. The recommended applications of a device depend on its quality grade, as indicated below. Customers must check the quality grade of each device before using it in a particular application.

Standard: Computers, office equipment, communications equipment, test and measurement equipment, audio and visual equipment, home electronic appliances, machine tools, personal electronic equipment, and industrial robots

Special: Transportation equipment (automobiles, trains, ships, etc.), traffic control systems, anti-disaster systems, anti-crime systems, safety equipment, and medical equipment (not specifically designed for life support)

Specific: Aircraft, aerospace equipment, submersible repeaters, nuclear reactor control systems, life support systems, or medical equipment for life support, etc.

The quality grade of NEC devices is "Standard" unless otherwise specified in NEC's data sheets or data books. If customers intend to use NEC devices for applications other than those specified for Standard quality grade, they should contact an NEC sales representative in advance.

(Note)

- (1) "NEC" as used in this statement means NEC Corporation and also includes its majority-owned subsidiaries.
- (2) "NEC electronic component products" means any electronic component product developed or manufactured by or for NEC (as defined above).

DE0102

For further information, please contact:

NEC Corporation

NEC Eleotron Devices
7-1, Shiba 5-chome, Minato-ku
Tokyo 108-8001, Japan
Tel: 03-3798-6148
Fax: 03-3798-6149

[North & South America]

NEC Electronics Inc.
Electron Components
2880 Scott Boulevard P.O.Box 58062
Santa Clara, CA 95052-8062, USA
Tel: 408-588-6000
Fax: 408-588-6130

(Regional Sales Offices)

Central Region

Greenspoint Tower
2800 West Higgins Road
Suite 765
Hoffman Estates, IL 60195
Tel: 708-519-3930
Fax: 708-519-9329

Northern California Region

3033 Scott Boulevard
Santa Clara, CA 95050
Tel: 408-588-5100
Fax: 408-588-5134

Eastern Region

901 N. Lake Destiny Drive
Suite 320
Maitland, FL 32751, U.S.A.
Tel: 407-875-1145
Fax: 407-875-0962

Western Region

One Embassy Centre
9020 S.W. Washington
Square Road
Suite 400
Tigard, OR 97223
Tel: 503-671-0177
Fax: 503-643-5911

NEC do Brasil S.A.

Div. Componentes Electronicos
Rodovia Presidente Dutra, Km 218
CEP 07210-902-Jd.
Cumbica-Guarulhos-SP, Brasil
Tel: 011-6462-6810
Fax: 011-6462-6829

[Europe]

NEC Electronics (Germany) GmbH
Kanzlerstr, 2,
40472 Düsseldorf
Germany
Tel: 0211-650302
Fax: 0211-6503490

NEC Electronics (Benelux).

Boschdijk 187a
NL 5612 HB Eindhoven
Netherlands
Tel: 040-2445845
Fax: 040-2444580

NEC Electronics (Scandinavia)

P.O. Box 134
S-18322 Taeby, Sweden
Tel: 08-6380820
Fax: 08-6380388

NEC Electronics (France) S.A.

9, rue Paul Dautier-BP187
78142 Velizy-Villacoublay Cedex
France
Tel: 01-30 67 58 00
Fax: 01-30 67 58 99

Madrid Office

Juan Esplandiu, 15
E-28007 Madrid, Spain
Tel: 091-504-2787
Fax: 091-504-2860

NEC Electronics Italiana s.r.l.

Via Fabio Filzi 25/A
201 24 Milano, Italy
Tel: 02-667541
Fax: 02-66754299

NEC Electronics (UK) Limited

Cygnus House, Sunrise Parkway,
Milton Keynes, MK 14 6NP, U.K.
Tel: 01908-691133
Fax: 01908-670290

Dublin Office

34/35, South William Street
Dublin 2, Ireland
Tel: 01-6794200
Fax: 01-6794081

[Asia & Oceania]

NEC Electronics Hong Kong Limited
12/F., Cityplaza 4, 12
Taikoo Wan Road, Hong Kong
Tel: 2886-9318
Fax: 2886-9022, 2886-9044

Seoul Branch

10F, ILSONG Bldg., 157-37
Samsung-Dong, Kangnam-Ku,
Seoul, the Republic of Korea
Tel: 02-528-0303
Fax: 02-528-4411

Shen-Zhen Office

Room 03-05, 51/F, Office Tower, Shun Hing Square
5002 Shen Nan Dong Road, Shenzhen, China
Tel: 755-246-1092/1976
Fax: 755-246-1786

Australia Representative Office

303-313 Bunwood Highway
Burwood East, Victoria 3151, Australia
Tel: 03-98878012
Fax: 03-98878014

NEC Electronics Taiwan Ltd.

7F, NO. 363 Fu Shing North Road
Taipei, Taiwan, R.O.C.
Tel: 02-2719-2377
Fax: 02-2719-5951/5936

NEC Electronics Singapore Pte. Ltd.

101 Thomson Road #04-01/05
United Square, Singapore 307591
Tel: 65-253-8311
Fax: 65-250-3583

AE0201