



MF4532 SERIES ~ Wire Wound Chip Inductors

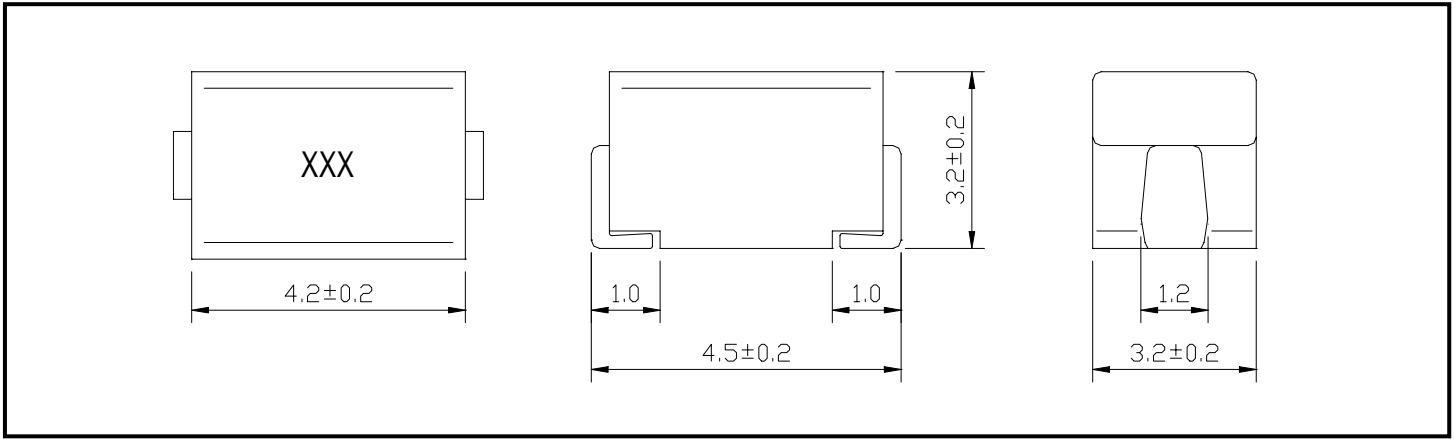


PART NUMBERING SYSTEM

MW	4 5 3 2	-	R 1 0 M	-	LF
TYPE	DIMENSIONS		INDUCTANCE		LEAD FREE

SHAPES AND DIMENSIONS

UNIT : mm



SPECIFICATION TABLE

PART NUMBER	INDUCTANCE (μ H)	Q. MIN.	TEST FREQ (MHz)	SRF (MHz) MIN.	DCR () (max)	IDC (mA) (max)
MW4532-R10M-LF	0.10±20%	35	25.2	300	0.18	800
MW4532-R12M-LF	0.12±20%	35	25.2	280	0.20	770
MW4532-R15M-LF	0.15±20%	35	25.2	250	0.22	730
MW4532-R18M-LF	0.18±20%	35	25.2	220	0.24	700
MW4532-R22M-LF	0.22±20%	40	25.2	200	0.25	665
MW4532-R27M-LF	0.27±20%	40	25.2	180	0.26	635
MW4532-R33M-LF	0.33±20%	40	25.2	165	0.28	605
MW4532-R39M-LF	0.39±20%	40	25.2	150	0.30	575
MW4532-R47M-LF	0.47±20%	40	25.2	145	0.32	545
MW4532-R56M-LF	0.56±20%	40	25.2	140	0.36	520
MW4532-R68M-LF	0.68±20%	40	25.2	135	0.40	500
MW4532-R82M-LF	0.82±20%	40	25.2	130	0.45	475
MW4532-1R0K-LF	1.0±10%	50	7.96	100	0.50	450
MW4532-1R2K-LF	1.2±10%	50	7.96	80	0.55	430
MW4532-1R5K-LF	1.5±10%	50	7.96	70	0.60	410
MW4532-1R8K-LF	1.8±10%	50	7.96	60	0.65	390
MW4532-2R2K-LF	2.2±10%	50	7.96	55	0.70	380



MF4532 SERIES ~ Wire Wound Chip Inductors



SPECIFICATION TABLE

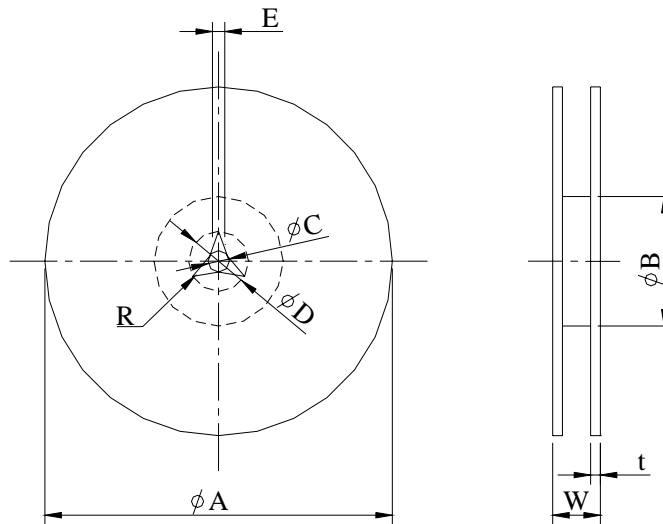
PART NUMBER	INDUCTANCE (μ H)	Q. MIN.	TEST FREQ (MHz)	SRF (MHz) MIN.	DCR () (max)	IDC(mA) (max)
MW4532-2R7K-LF	2.7 \pm 10%	50	7.96	50	0.75	370
MW4532-3R3K-LF	3.3 \pm 10%	50	7.96	45	0.80	355
MW4532-3R9K-LF	3.9 \pm 10%	50	7.96	40	0.90	330
MW4532-4R7K-LF	4.7 \pm 10%	50	7.96	35	1.00	315
MW4532-5R6K-LF	5.6 \pm 10%	50	7.96	33	1.10	300
MW4532-6R8K-LF	6.8 \pm 10%	50	7.96	27	1.20	285
MW4532-8R2K-LF	8.2 \pm 10%	50	7.96	25	1.40	270
MW4532-100K-LF	10.0 \pm 10%	50	2.52	20	1.60	250
MW4532-120K-LF	12.0 \pm 10%	50	2.52	18	2.00	225
MW4532-150K-LF	15.0 \pm 10%	50	2.52	17	2.50	200
MW4532-180K-LF	18.0 \pm 10%	50	2.52	15	2.80	190
MW4532-220K-LF	22.0 \pm 10%	50	2.52	13	3.20	180
MW4532-270K-LF	27.0 \pm 10%	50	2.52	12	3.60	170
MW4532-330K-LF	33.0 \pm 10%	50	2.52	11	4.00	160
MW4532-390K-LF	39.0 \pm 10%	50	2.52	10	4.50	150
MW4532-470K-LF	47.0 \pm 10%	50	2.52	10	5.00	140
MW4532-560K-LF	56.0 \pm 10%	50	2.52	9.0	5.50	135
MW4532-680K-LF	68.0 \pm 10%	50	2.52	9.0	6.00	130
MW4532-820K-LF	82.0 \pm 10%	50	2.52	8.0	7.00	120
MW4532-101K-LF	100 \pm 10%	40	0.769	8.0	8.00	110
MW4532-121K-LF	120 \pm 10%	40	0.769	6.0	8.00	110
MW4532-151K-LF	150 \pm 10%	40	0.769	5.0	9.00	105
MW4532-181K-LF	180 \pm 10%	40	0.769	5.0	9.50	102
MW4532-221K-LF	220 \pm 10%	40	0.769	4.0	10.0	100
MW4532-271K-LF	270 \pm 10%	40	0.769	4.0	12.0	92
MW4532-331K-LF	330 \pm 10%	40	0.769	3.5	14.0	85
MW4532-391K-LF	390 \pm 10%	40	0.769	3.0	18.0	80
MW4532-471K-LF	470 \pm 10%	40	0.769	3.0	26.0	62
MW4532-561K-LF	560 \pm 10%	30	0.769	3.0	30.0	50
MW4532-681K-LF	680 \pm 10%	30	0.769	3.0	30.0	50
MW4532-821K-LF	820 \pm 10%	30	0.769	2.5	35.0	30
MW4532-102K-LF	1000 \pm 10%	20	0.252	2.5	40.0	30



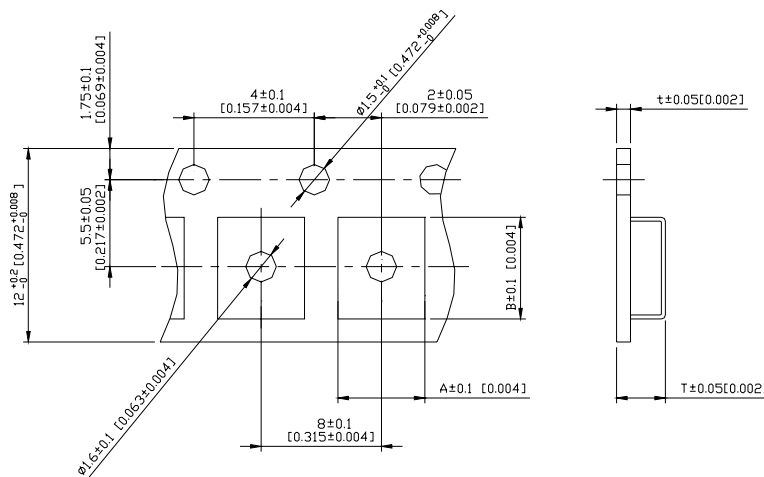
MF4532 SERIES ~ Wire Wound Chip Inductors



PACKAGING SPECIFICATION



	A	B	C	D	E	W8	W12	t	R
T(178mm) Reel	178±2	60±1	13±0.8	21±0.8	2	10±1.5	14.5±1.5	1.27±0.2	1
T(330mm) Reel	330±2	100±2	13±0.8	21±0.8	2	10±1.5	14.5±1.5	1.27±0.2	1



TYPE	A	B	T	t	T(178mm)	T(330mm)
MW4532	3.60	4.90	2.05	0.3	500 pcs/reel	-