



## ML1608 SERIES – Multilayer Chip Inductors

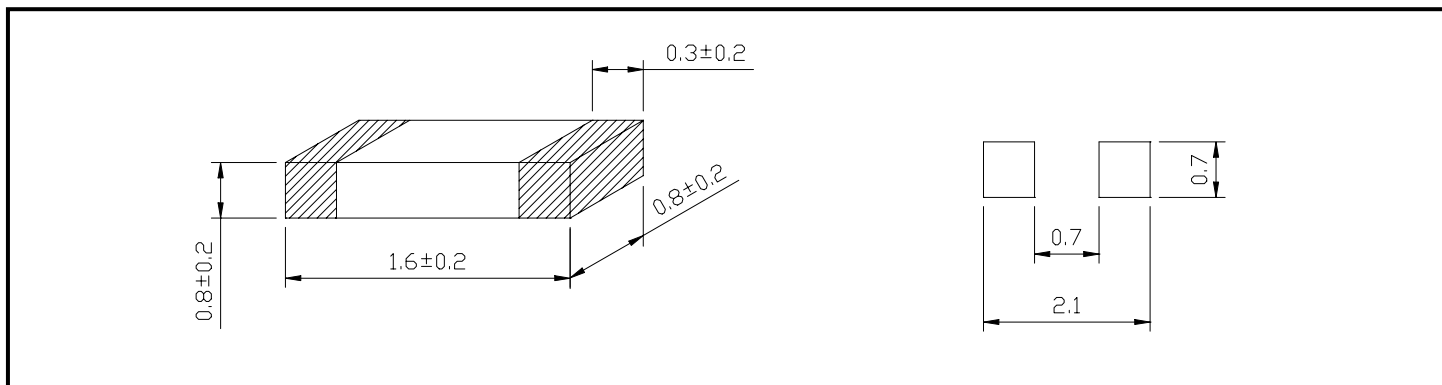


### PART NUMBERING SYSTEM

<u>ML</u>	<u>1608</u>	—	<u>1R0K</u>	—	<u>LF</u>
TYPE	DIMENSIONS		INDUCTANCE		LEAD FREE

### SHAPES AND DIMENSIONS

UNIT : mm



### FEATURES

- Monolithic structure for high reliability .
- No cross coupling between inductors due to magnetic shielded . Ideal fir high density installation .
- Dimensions are unified for automatic mounting .
- Excellent solder ability ad high heat resistance for either flow or reflow soldering .
- Closed magnetic circuit avoids crosstalk and is suitable for high density printed circuit boards .
- Application for Personal or Notebook computers and peripheral equipment ( CD-ROM , Hard Disk ...)



## ML1608 SERIES – Multilayer Chip Inductors



RoHS Compliant

### SPECIFICATION TABLE

PART NUMBER	INDUCTANCE ( $\mu$ H)	Q. MIN.	L, Q TEST FREQUENCY (MHz)	SRF (MHz) MIN.	DCR ( $\Omega$ ) (max)	IDC (mA) (max)
ML1608-47NM-LF	0.047 $\pm$ 20%	10	50	260	0.30	50
ML1608-68NM-LF	0.068 $\pm$ 20%	10	50	250	0.30	50
ML1608-82NM-LF	0.082 $\pm$ 20%	10	50	245	0.30	50
ML1608-R10K-LF	0.10 $\pm$ 10%	15	25	240	0.50	50
ML1608-R12K-LF	0.12 $\pm$ 10%	15	25	205	0.50	50
ML1608-R15K-LF	0.15 $\pm$ 10%	15	25	180	0.60	50
ML1608-R18K-LF	0.18 $\pm$ 10%	15	25	165	0.60	50
ML1608-R22K-LF	0.22 $\pm$ 10%	15	25	150	0.80	50
ML1608-R27K-LF	0.27 $\pm$ 10%	15	25	136	0.80	50
ML1608-R33K-LF	0.33 $\pm$ 10%	15	25	125	0.85	35
ML1608-R39K-LF	0.39 $\pm$ 10%	15	25	110	1.00	35
ML1608-R47K-LF	0.47 $\pm$ 10%	15	25	105	1.35	35
ML1608-R56K-LF	0.56 $\pm$ 10%	15	25	95	1.55	35
ML1608-R68K-LF	0.68 $\pm$ 10%	15	25	90	1.70	35
ML1608-R82K-LF	0.82 $\pm$ 10%	15	25	85	2.10	35
ML1608-1R0K-LF	1.0 $\pm$ 10%	35	10	75	0.60	25
ML1608-1R2K-LF	1.2 $\pm$ 10%	35	10	65	0.80	25
ML1608-1R5K-LF	1.5 $\pm$ 10%	35	10	60	0.80	25
ML1608-1R8K-LF	1.8 $\pm$ 10%	35	10	55	0.95	25
ML1608-2R2K-LF	2.2 $\pm$ 10%	35	10	50	1.15	15
ML1608-2R7K-LF	2.7 $\pm$ 10%	35	10	45	1.35	15
ML1608-3R3K-LF	3.3 $\pm$ 10%	35	10	40	1.55	15
ML1608-3R9K-LF	3.9 $\pm$ 10%	35	10	35	1.70	15
ML1608-4R7K-LF	4.7 $\pm$ 10%	35	10	33	2.10	15
ML1608-5R6K-LF	5.6 $\pm$ 10%	35	4	22	1.55	5
ML1608-6R8K-LF	6.8 $\pm$ 10%	35	4	20	1.70	5
ML1608-8R2K-LF	8.2 $\pm$ 10%	35	4	18	2.10	5
ML1608-100K-LF	10 $\pm$ 10%	30	2	17	1.85	3
ML1608-120K-LF	12 $\pm$ 10%	30	2	15	2.10	3
ML1608-150K-LF	15 $\pm$ 10%	20	1	14	1.70	1

INDUTANCE TOLERANCE : ,( K= $\pm$ 10%, M= $\pm$ 20% )

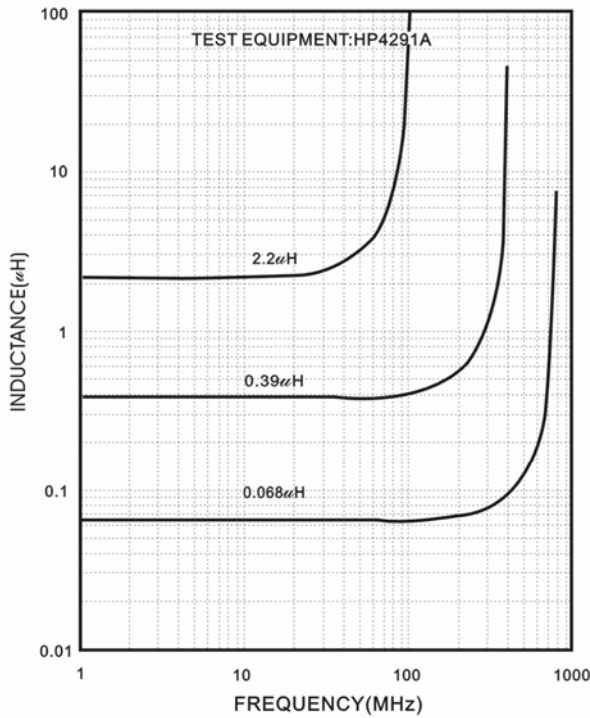


## ML1608 SERIES - Multilayer Chip Inductors

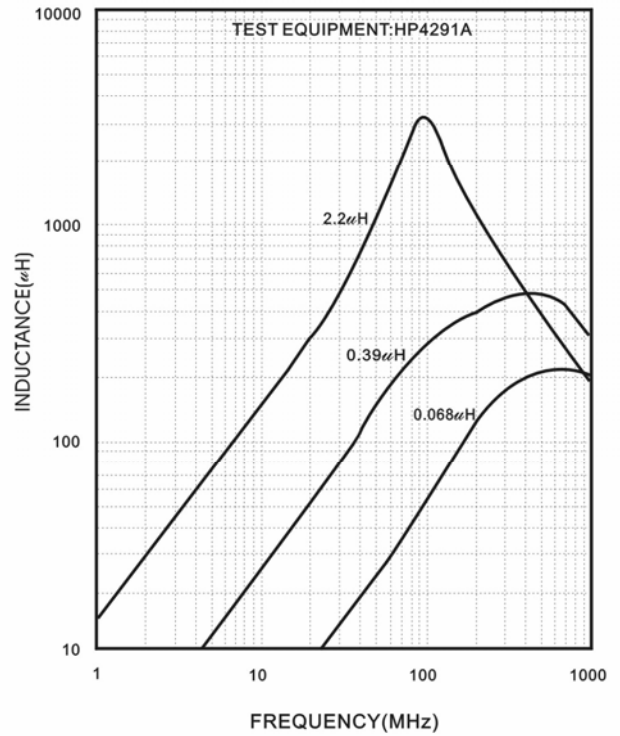


RoHS Compliant

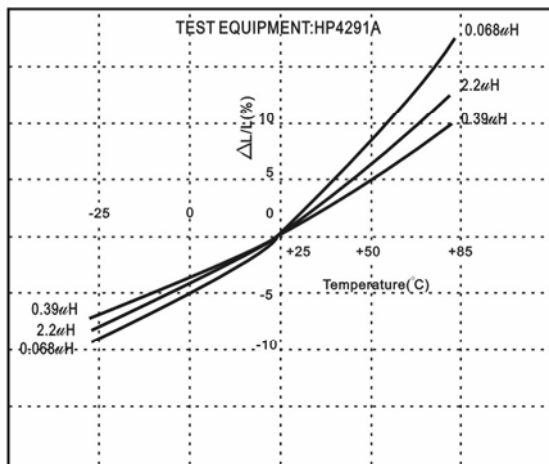
INDUCANCE vs. FREQUENCY  
CHARACTERSTICS



INDUCANCE vs. FREQUENCY  
CHARACTERSTICS



INDUCANCE vs. FREQUENCY  
CHARACTERSTICS



Q vs. FREQUENCY CHARACTERISTICS

