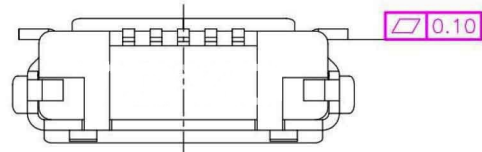


1 2 3 4 5 6 7 8

A
B
C
D
E
F
G
H

A
B
C
D
E
F
G
H

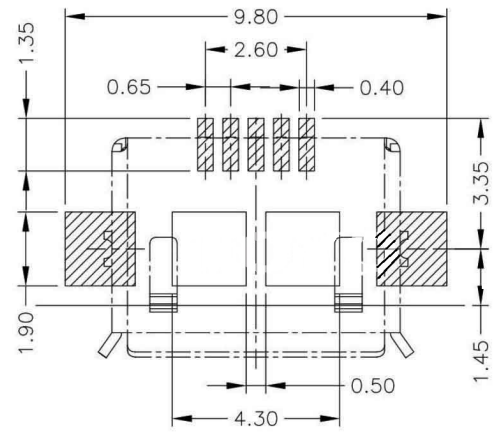
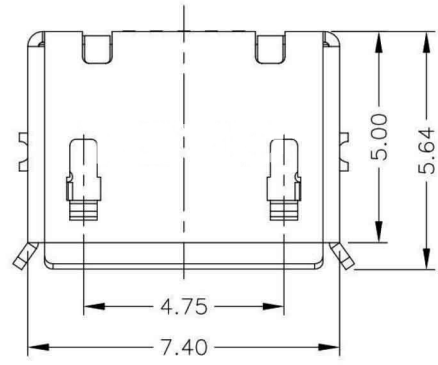


MATERIALS

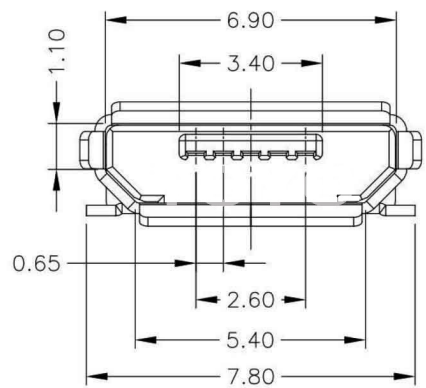
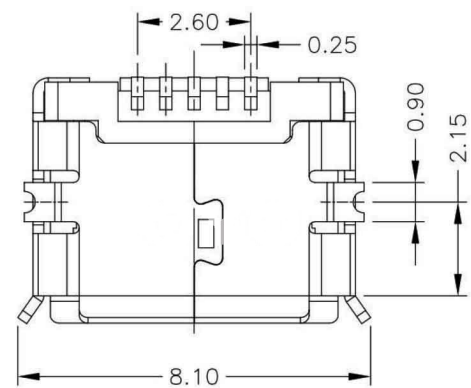
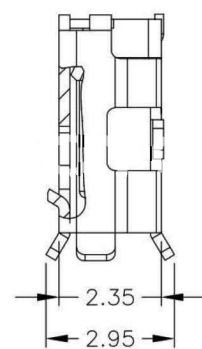
HOUSING: HI-TEMP. PLASTIC (UL 94V-0)
SHELL: COPPER ALLOY, TIN PLATING
TERMINAL: COPPER ALLOY, GOLD PLATED. $\triangle X1$

SPECIFICATION

CURRENT RATING: 1.8 AMP MAX (ONLY PIN 1, 5), OTHER 1 AMP MAX
DIELECTRIC WITHSTANDING: 100V AC FOR ONE MINUTE
CONTACT RESISTANCE: 50m OHMS MAX
INSULATION RESISTANCE: 100M OHMS MIN AT DC 500V
OPERATION TEMPERATURE: -25°C~+105°C



P.C.B LAYOUT
TOP VIEW ± 0.05



**RoHS
Compliant**

| | | | | |
|-------------|------------|------------|-------------------|---|
| APPD. 核准 | BETTY | | TOLERANCE 容許公差 | PART NAME 品名 |
| DWG. 製圖 | BETTY | | SCALE 比例 參考 | .0 ± 0.30 .00 ± 0.25 ANG. $\pm 2^\circ$ |
| DATE 制表日 | 2010/12/06 | UNIT 單位 | SIZE. 紙張尺寸 | PART NO. |
| | | PAGE 張數 | REV. 版次 | 料號 |
| | | 1 OF 1 | A 4 | 542 SERIES |

1 2 3 4 5 6 7 8