

Features

- Ultra low quiescent current: 3.5 μ A (typ.)
- High input voltage (up to 12V)
- Output voltage:
1.8V, 2.5V, 2.7V, 3.0V, 3.3V, 3.5V, 5.0V
- Output voltage accuracy: tolerance \pm 3%
- Maximum output current: 250mA
- Low dropout voltage
- Low temperature coefficient
- TO-92, SOT-89 package

Applications

- Battery-powered equipment
- Voltage regulator for microprocessor
- Voltage regulator for LAN cards
- Wireless Communication equipment
- Audio/Video equipment

General Description

The HT73XX series is a set of three-terminal, low power, high voltage regulators implemented in CMOS technology. The series features extremely low quiescent current which is typically 3.5 μ A. They allow input voltages as high as 12V. The device provides large current with a significantly small dropout voltage.

The HT73XX consists of a high-precision voltage reference, an error correction circuit, and a current limited output driver. They are available with several fixed output voltages ranging from 1.8V to 5.0V. CMOS technology ensures low dropout voltage and low current consumption. Although designed primarily as fixed voltage regulators, these devices can be used with external components to generate variable voltages and currents.

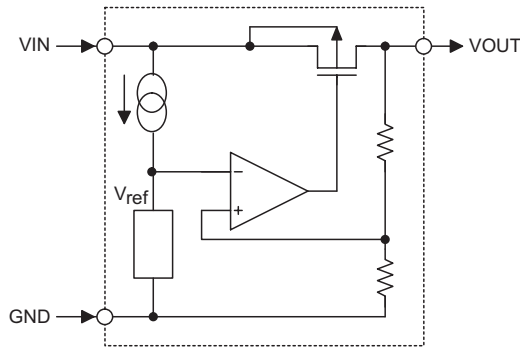
Selection Table

| Part No. | Output Voltage | Package | Marking |
|----------|----------------|-----------------|-------------------------------------------|
| HT7318 | 1.8V | TO-92 SOT-89 | 73XX-A (for TO-92) 73XX-A (for SOT-89) |
| HT7325 | 2.5V | | |
| HT7327 | 2.7V | | |
| HT7330 | 3.0V | | |
| HT7333 | 3.3V | | |
| HT7335 | 3.5V | | |
| HT7350 | 5.0V | | |

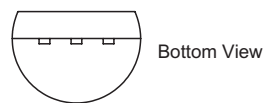
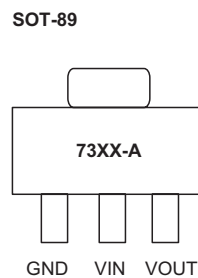
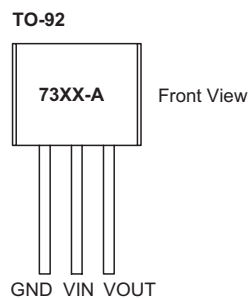
Note: "XX" stands for output voltages.

For lead free devices, TO-92 package will add a "#" mark at the end of the date code, whereas SOT-89 package will add a "#" mark at the end of the marking.

Block Diagram



Pin Assignment



Absolute Maximum Ratings

| | | | |
|------------------------------|-------------------------------|-----------------------------|----------------------------------|
| Supply Voltage | $V_{SS}-0.3V$ to $V_{SS}+14V$ | Storage Temperature | $-50^{\circ}C$ to $125^{\circ}C$ |
| Power Consumption (*1) | 500mW | Operating Temperature | $-40^{\circ}C$ to $85^{\circ}C$ |
| Power Consumption (*2) | 500mW | | |

Note: These are stress ratings only. Stresses exceeding the range specified under "Absolute Maximum Ratings" may cause substantial damage to the device. Functional operation of this device at other conditions beyond those listed in the specification is not implied and prolonged exposure to extreme conditions may affect device reliability.

*1: applied to TO-92
 *2: applied to SOT-89

Electrical Characteristics
HT7318, +1.8V Output Type

Ta=25°C

| Symbol | Parameter | Test Conditions | | Min. | Typ. | Max. | Unit |
|-------------------------------------------------------|-------------------------|-----------------|-----------------------------------------------------|-------|------|-------|-------|
| | | V _{IN} | Conditions | | | | |
| V _{OUT} | Output Voltage | 2.8V | I _{OUT} =40mA | 1.746 | 1.8 | 1.854 | V |
| I _{OUT(MAX)} | Maximum Output Current | 2.8V | V _{OUT} ≥1.62V | 150 | — | — | mA |
| ΔV _{OUT} * | Load Regulation | 2.8V | 1mA≤I _{OUT} ≤60mA | — | 45 | 90 | mV |
| V _{DROP**} | Dropout Voltage | — | I _{OUT} =40mA | — | 170 | — | mV |
| I _{SS} | Quiescent Current | 2.8V | No load | — | 3.5 | 7 | μA |
| $\frac{\Delta V_{OUT}}{\Delta V_{IN} \times V_{OUT}}$ | Line Regulation | — | I _{OUT} =40mA 2.8V≤V _{IN} ≤12V | — | 0.2 | 0.3 | %/V |
| V _{IN} | Input Voltage | — | — | — | — | 12 | V |
| $\frac{\Delta V_{OUT}}{\Delta T_a}$ | Temperature Coefficient | 2.8V | I _{OUT} =40mA -40°C<Ta<85°C | — | ±0.7 | — | mV/°C |

HT7325, +2.5V Output Type

Ta=25°C

| Symbol | Parameter | Test Conditions | | Min. | Typ. | Max. | Unit |
|-------------------------------------------------------|-------------------------|-----------------|-----------------------------------------------------|-------|------|-------|-------|
| | | V _{IN} | Conditions | | | | |
| V _{OUT} | Output Voltage | 3.5V | I _{OUT} =40mA | 2.425 | 2.5 | 2.575 | V |
| I _{OUT(MAX)} | Maximum Output Current | 3.5V | V _{OUT} ≥2.25V | 180 | — | — | mA |
| ΔV _{OUT} * | Load Regulation | 3.5V | 1mA≤I _{OUT} ≤60mA | — | 45 | 90 | mV |
| V _{DROP**} | Dropout Voltage | — | I _{OUT} =40mA | — | 110 | — | mV |
| I _{SS} | Quiescent Current | 3.5V | No load | — | 3.5 | 7 | μA |
| $\frac{\Delta V_{OUT}}{\Delta V_{IN} \times V_{OUT}}$ | Line Regulation | — | I _{OUT} =40mA 3.5V≤V _{IN} ≤12V | — | 0.2 | 0.3 | %/V |
| V _{IN} | Input Voltage | — | — | — | — | 12 | V |
| $\frac{\Delta V_{OUT}}{\Delta T_a}$ | Temperature Coefficient | 3.5V | I _{OUT} =40mA -40°C<Ta<85°C | — | ±0.7 | — | mV/°C |

HT7327, +2.7V Output Type

Ta=25°C

| Symbol | Parameter | Test Conditions | | Min. | Typ. | Max. | Unit |
|-------------------------------------------------------|-------------------------|-----------------|-----------------------------------------------------|-------|------|-------|-------|
| | | V _{IN} | Conditions | | | | |
| V _{OUT} | Output Voltage | 3.7V | I _{OUT} =40mA | 2.619 | 2.7 | 2.781 | V |
| I _{OUT(MAX)} | Maximum Output Current | 3.7V | V _{OUT} ≥2.43V | 200 | — | — | mA |
| ΔV _{OUT} * | Load Regulation | 3.7V | 1mA≤I _{OUT} ≤80mA | — | 45 | 90 | mV |
| V _{DROP**} | Dropout Voltage | — | I _{OUT} =40mA | — | 100 | — | mV |
| I _{SS} | Quiescent Current | 3.7V | No load | — | 3.5 | 7 | μA |
| $\frac{\Delta V_{OUT}}{\Delta V_{IN} \times V_{OUT}}$ | Line Regulation | — | I _{OUT} =40mA 3.7V≤V _{IN} ≤12V | — | 0.2 | 0.3 | %/V |
| V _{IN} | Input Voltage | — | — | — | — | 12 | V |
| $\frac{\Delta V_{OUT}}{\Delta T_a}$ | Temperature Coefficient | 3.7V | I _{OUT} =40mA -40°C<Ta<85°C | — | ±0.7 | — | mV/°C |

HT7330, +3.0V Output Type

Ta=25°C

| Symbol | Parameter | Test Conditions | | Min. | Typ. | Max. | Unit |
|-------------------------------------------------------|-------------------------|-----------------|---------------------------------------------------|------|------|------|-------|
| | | V _{IN} | Conditions | | | | |
| V _{OUT} | Output Voltage | 4V | I _{OUT} =40mA | 2.91 | 3 | 3.09 | V |
| I _{OUT(MAX)} | Maximum Output Current | 4V | V _{OUT} ≥2.7V | 250 | — | — | mA |
| ΔV _{OUT} * | Load Regulation | 4V | 1mA≤I _{OUT} ≤80mA | — | 45 | 90 | mV |
| V _{DROP} ** | Dropout Voltage | — | I _{OUT} =40mA | — | 95 | — | mV |
| I _{SS} | Quiescent Current | 4V | No load | — | 3.5 | 7 | μA |
| $\frac{\Delta V_{OUT}}{\Delta V_{IN} \times V_{OUT}}$ | Line Regulation | — | I _{OUT} =40mA 4V≤V _{IN} ≤12V | — | 0.2 | 0.3 | %/V |
| V _{IN} | Input Voltage | — | — | — | — | 12 | V |
| $\frac{\Delta V_{OUT}}{\Delta T_a}$ | Temperature Coefficient | 4V | I _{OUT} =40mA -40°C<Ta<85°C | — | ±0.7 | — | mV/°C |

HT7333, +3.3V Output Type

Ta=25°C

| Symbol | Parameter | Test Conditions | | Min. | Typ. | Max. | Unit |
|-------------------------------------------------------|-------------------------|-----------------|-----------------------------------------------------|-------|------|-------|-------|
| | | V _{IN} | Conditions | | | | |
| V _{OUT} | Output Voltage | 4.3V | I _{OUT} =40mA | 3.201 | 3.3 | 3.399 | V |
| I _{OUT(MAX)} | Maximum Output Current | 4.3V | V _{OUT} ≥2.97V | 250 | — | — | mA |
| ΔV _{OUT} * | Load Regulation | 4.3V | 1mA≤I _{OUT} ≤80mA | — | 45 | 90 | mV |
| V _{DROP} ** | Dropout Voltage | — | I _{OUT} =40mA | — | 90 | — | mV |
| I _{SS} | Quiescent Current | 4.3V | No load | — | 3.5 | 7 | μA |
| $\frac{\Delta V_{OUT}}{\Delta V_{IN} \times V_{OUT}}$ | Line Regulation | — | I _{OUT} =40mA 4.3V≤V _{IN} ≤12V | — | 0.2 | 0.3 | %/V |
| V _{IN} | Input Voltage | — | — | — | — | 12 | V |
| $\frac{\Delta V_{OUT}}{\Delta T_a}$ | Temperature Coefficient | 4.3V | I _{OUT} =40mA -40°C<Ta<85°C | — | ±0.7 | — | mV/°C |

HT7335, +3.5V Output Type

Ta=25°C

| Symbol | Parameter | Test Conditions | | Min. | Typ. | Max. | Unit |
|-------------------------------------------------------|-------------------------|-----------------|-----------------------------------------------------|-------|------|-------|-------|
| | | V _{IN} | Conditions | | | | |
| V _{OUT} | Output Voltage | 4.5V | I _{OUT} =40mA | 3.395 | 3.5 | 3.605 | V |
| I _{OUT(MAX)} | Maximum Output Current | 4.5V | V _{OUT} ≥3.15V | 250 | — | — | mA |
| ΔV _{OUT} * | Load Regulation | 4.5V | 1mA≤I _{OUT} ≤80mA | — | 45 | 90 | mV |
| V _{DROP} ** | Dropout Voltage | — | I _{OUT} =40mA | — | 80 | — | mV |
| I _{SS} | Quiescent Current | 4.5V | No load | — | 3.5 | 7 | μA |
| $\frac{\Delta V_{OUT}}{\Delta V_{IN} \times V_{OUT}}$ | Line Regulation | — | I _{OUT} =40mA 4.5V≤V _{IN} ≤12V | — | 0.2 | 0.3 | %/V |
| V _{IN} | Input Voltage | — | — | — | — | 12 | V |
| $\frac{\Delta V_{OUT}}{\Delta T_a}$ | Temperature Coefficient | 4.5V | I _{OUT} =80mA -40°C<Ta<85°C | — | ±0.7 | — | mV/°C |

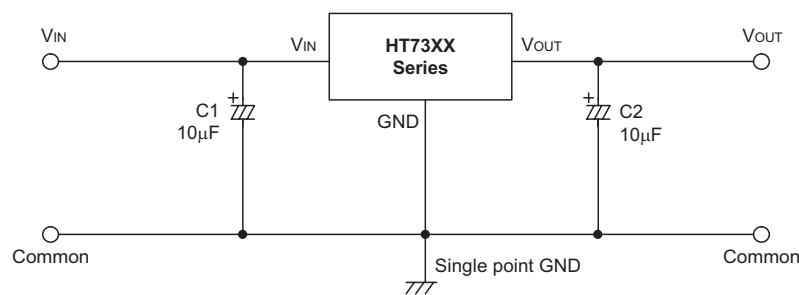
HT7350, +5.0V Output Type

Ta=25°C

| Symbol | Parameter | Test Conditions | | Min. | Typ. | Max. | Unit |
|-------------------------------------------------------|-------------------------|-----------------|------------------------------------------------------|------|------|------|-------|
| | | V _{IN} | Conditions | | | | |
| V _{OUT} | Output Voltage | 6V | I _{OUT} =40mA | 4.85 | 5 | 5.15 | V |
| I _{OUT(MAX)} | Maximum Output Current | 6V | V _{OUT} ≥4.5V | 250 | — | — | mA |
| ΔV _{OUT} * | Load Regulation | 6V | 1mA≤I _{OUT} ≤100mA | — | 45 | 90 | mV |
| V _{DROP} ** | Dropout Voltage | — | I _{OUT} =40mA | — | 60 | — | mV |
| I _{SS} | Quiescent Current | 6V | No load | — | 3.5 | 7 | μA |
| $\frac{\Delta V_{OUT}}{\Delta V_{IN} \times V_{OUT}}$ | Line Regulation | — | I _{OUT} =40mA 6V≤V _{IN} ≤12V | — | 0.2 | 0.3 | %/V |
| V _{IN} | Input Voltage | — | — | — | — | 12 | V |
| $\frac{\Delta V_{OUT}}{\Delta T_a}$ | Temperature Coefficient | 6V | I _{OUT} =80mA -40°C<T _a <85°C | — | ±0.7 | — | mV/°C |

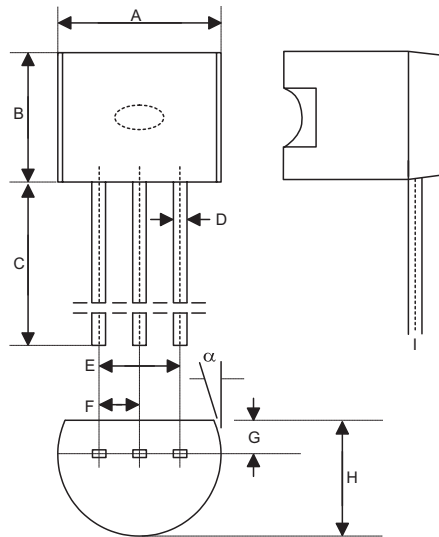
Note: *** Regulation is measured at constant junction temperature, using pulsed ON time.

**** Dropout is measured at constant junction temperature, using pulsed ON time, and the criterion is V_{OUT} inside target value ±2%.

Application Circuits


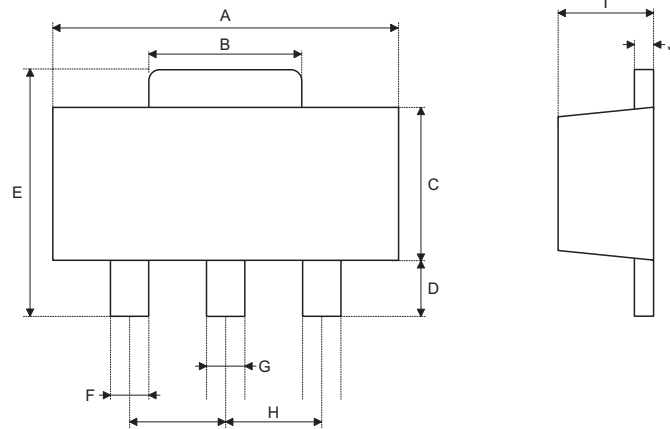
Package Information

TO-92 Outline Dimensions



| Symbol | Dimensions in mil | | |
|----------|-------------------|------|------|
| | Min. | Nom. | Max. |
| A | 170 | — | 200 |
| B | 170 | — | 200 |
| C | 500 | — | — |
| D | 11 | — | 20 |
| E | 90 | — | 110 |
| F | 45 | — | 55 |
| G | 45 | — | 65 |
| H | 130 | — | 160 |
| I | 8 | — | 18 |
| α | 4° | — | 6° |

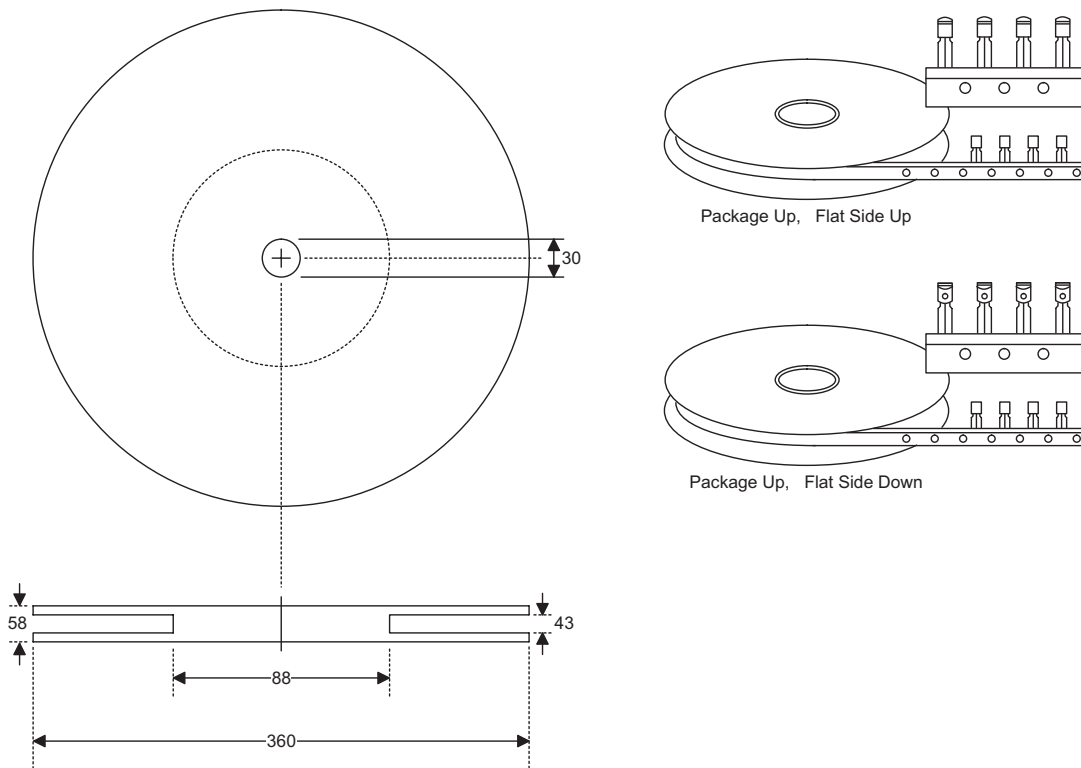
SOT-89 Outline Dimensions



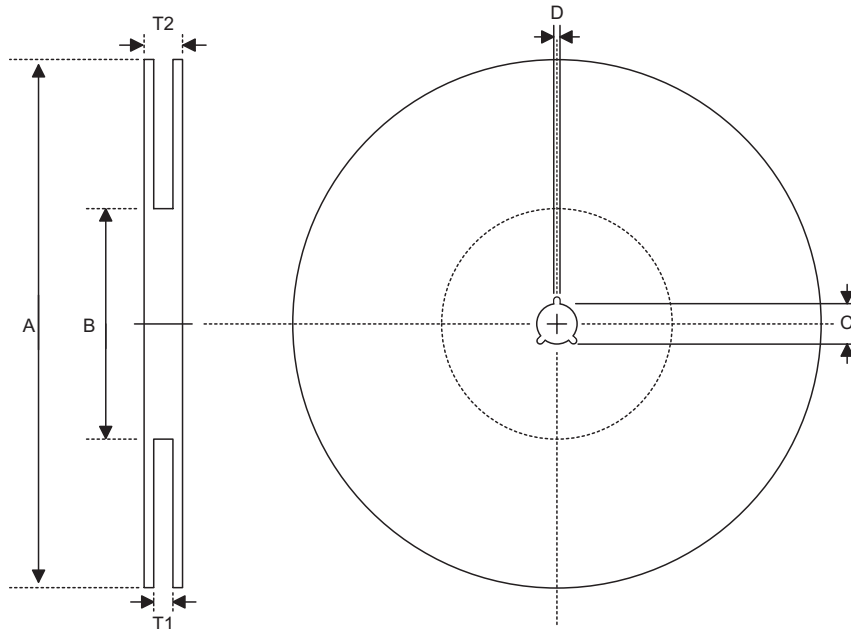
| Symbol | Dimensions in mil | | |
|--------|-------------------|------|------|
| | Min. | Nom. | Max. |
| A | 173 | — | 181 |
| B | 64 | — | 72 |
| C | 90 | — | 102 |
| D | 35 | — | 47 |
| E | 155 | — | 167 |
| F | 14 | — | 19 |
| G | 17 | — | 22 |
| H | — | 59 | — |
| I | 55 | — | 63 |
| J | 14 | — | 17 |

Product Tape and Reel Specifications

TO-92 Reel Dimensions (Unit: mm)



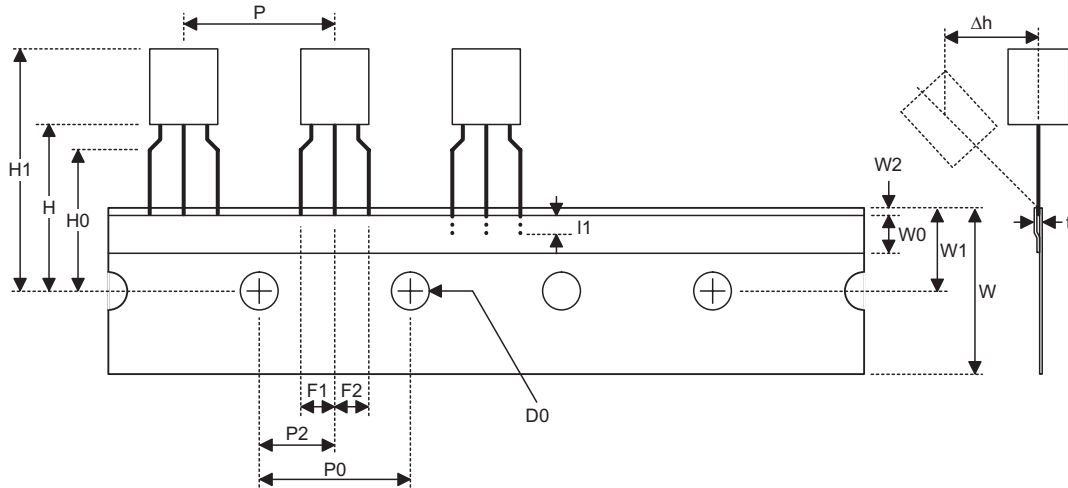
SOT-89 Reel Dimensions



SOT-89

| Symbol | Description | Dimensions in mm |
|--------|-----------------------|------------------|
| A | Reel Outer Diameter | 180±1.0 |
| B | Reel Inner Diameter | 62±1.5 |
| C | Spindle Hole Diameter | 12.75+0.15 |
| D | Key Slit Width | 1.9±0.15 |
| T1 | Space Between Flange | 12.4+0.2 |
| T2 | Reel Thickness | 17-0.4 |

TO-92 Carrier Tape Dimensions

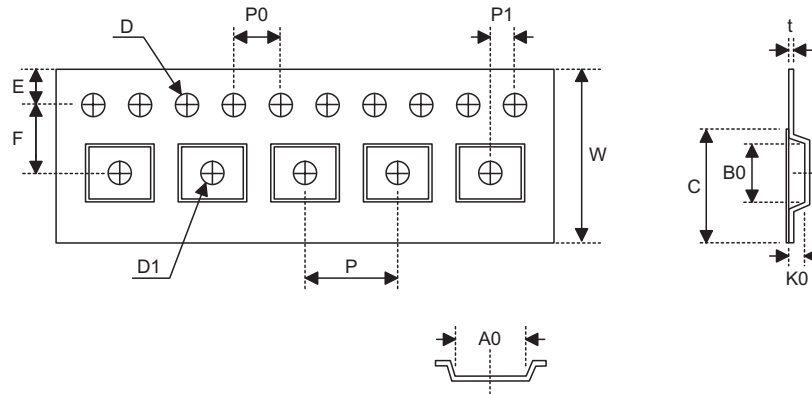


TO-92

| Symbol | Description | Dimensions in mm |
|----------------|---------------------------------------------|------------------|
| l1 | Taped Lead Length | (2.5) |
| P | Component Pitch | 12.7±1.0 |
| P ₀ | Perforation Pitch | 12.7±0.3 |
| P ₂ | Component to Perforation (Length Direction) | 6.35±0.4 |
| F ₁ | Lead Spread | 2.5+0.4 -0.1 |
| F ₂ | Lead Spread | 2.5+0.4 -0.1 |
| Δh | Component Alignment | 0±0.1 |
| W | Carrier Tape Width | 18.0+1.0 -0.5 |
| W ₀ | Hold-down Tape Width | 6.0±0.5 |
| W ₁ | Perforation Position | 9.0±0.5 |
| W ₂ | Hold-down Tape Position | (0.5) |
| H ₀ | Lead Clinch Height | 16.0±0.5 |
| H ₁ | Component Height | Less than 24.7 |
| D ₀ | Perforation Diameter | 4.0±0.2 |
| t | Taped Lead Thickness | 0.7±0.2 |
| H | Component Base Height | 19.0±0.5 |

Note: Thickness less than 0.38±0.05mm~0.5mm
 P₀ Accumulated pitch tolerance: ±1mm/20pitches.
 () Bracketed figures are for consultation only

SOT-89 Carrier Tape Dimensions



SOT-89

| Symbol | Description | Dimensions in mm |
|--------|------------------------------------------|------------------|
| W | Carrier Tape Width | 12.0+0.3 -0.1 |
| P | Cavity Pitch | 8.0±0.1 |
| E | Perforation Position | 1.75±0.1 |
| F | Cavity to Perforation (Width Direction) | 5.5±0.05 |
| D | Perforation Diameter | 1.5+0.1 |
| D1 | Cavity Hole Diameter | 1.5+0.1 |
| P0 | Perforation Pitch | 4.0±0.1 |
| P1 | Cavity to Perforation (Length Direction) | 2.0±0.10 |
| A0 | Cavity Length | 4.8±0.1 |
| B0 | Cavity Width | 4.5±0.1 |
| K0 | Cavity Depth | 1.8±0.1 |
| t | Carrier Tape Thickness | 0.30±0.013 |
| C | Cover Tape Width | 9.3 |

Copyright © 2006 by HOLTEK SEMICONDUCTOR INC.

The information appearing in this Data Sheet is believed to be accurate at the time of publication. However, Holtek assumes no responsibility arising from the use of the specifications described. The applications mentioned herein are used solely for the purpose of illustration and Holtek makes no warranty or representation that such applications will be suitable without further modification, nor recommends the use of its products for application that may present a risk to human life due to malfunction or otherwise. Holtek's products are not authorized for use as critical components in life support devices or systems. Holtek reserves the right to alter its products without prior notification. For the most up-to-date information, please visit our web site at <http://www.holtek.com.tw>.