

DATA SHEET

For a complete data sheet, please also download:

- The IC04 LOCMOS HE4000B Logic Family Specifications HEF, HEC
- The IC04 LOCMOS HE4000B Logic Package Outlines/Information HEF, HEC

HEF4060B

MSI

14-stage ripple-carry binary counter/divider and oscillator

Product specification
File under Integrated Circuits, IC04

January 1995

14-stage ripple-carry binary counter/divider and oscillator

HEF4060B MSI

DESCRIPTION

The HEF4060B is a 14-stage ripple-carry binary counter/divider and oscillator with three oscillator terminals (RS, R_{TC} and C_{TC}), ten buffered outputs (O₃ to O₉ and O₁₁ to O₁₃) and an overriding asynchronous master reset input (MR). The oscillator configuration allows design of either RC or crystal oscillator circuits. The oscillator may

be replaced by an external clock signal at input RS. The counter advances on the negative-going transition of RS. A HIGH level on MR resets the counter (O₃ to O₉ and O₁₁ to O₁₃ = LOW), independent of other input conditions. Schmitt-trigger action in the clock input makes the circuit highly tolerant to slower clock rise and fall times.

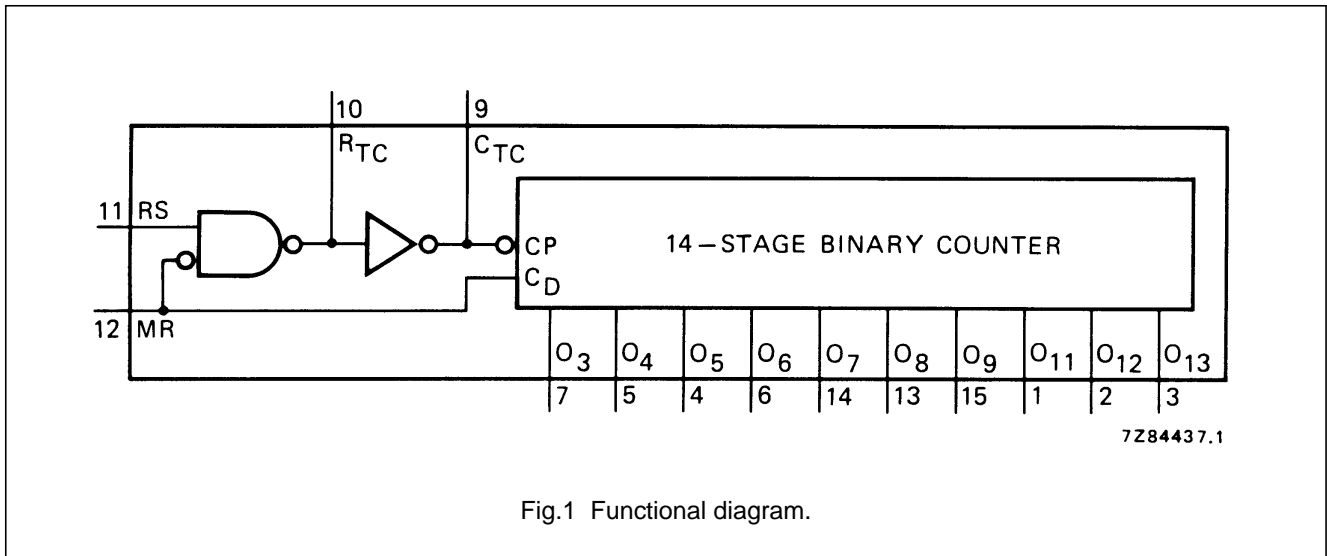


Fig.1 Functional diagram.

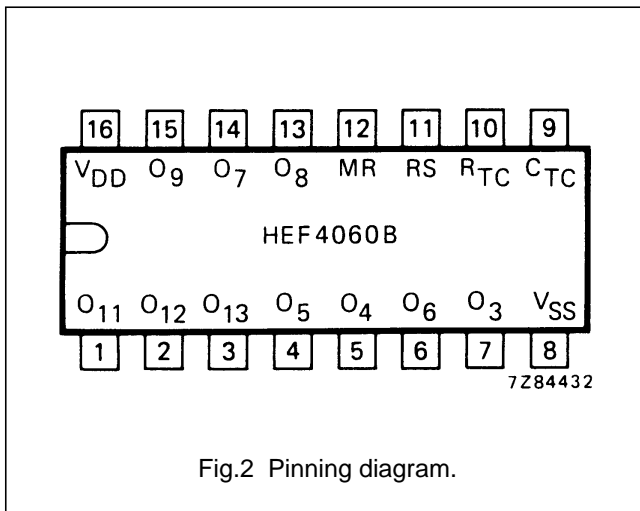


Fig.2 Pinning diagram.

PINNING

- MR master reset
- RS clock input/oscillator pin
- R_{TC} oscillator pin
- C_{TC} external capacitor connection
- O₃ to O₉ counter outputs
- O₁₁ to O₁₃ counter outputs

- HEF4060BP(N): 16-lead DIL; plastic (SOT38-1)
- HEF4060BD(F): 16-lead DIL; ceramic (cerdip) (SOT74)
- HEF4060BT(D): 16-lead SO; plastic (SOT109-1)
- (): Package Designator North America

FAMILY DATA, I_{DD} LIMITS category MSI

See Family Specifications

14-stage ripple-carry binary counter/divider and oscillator

HEF4060B
MSI

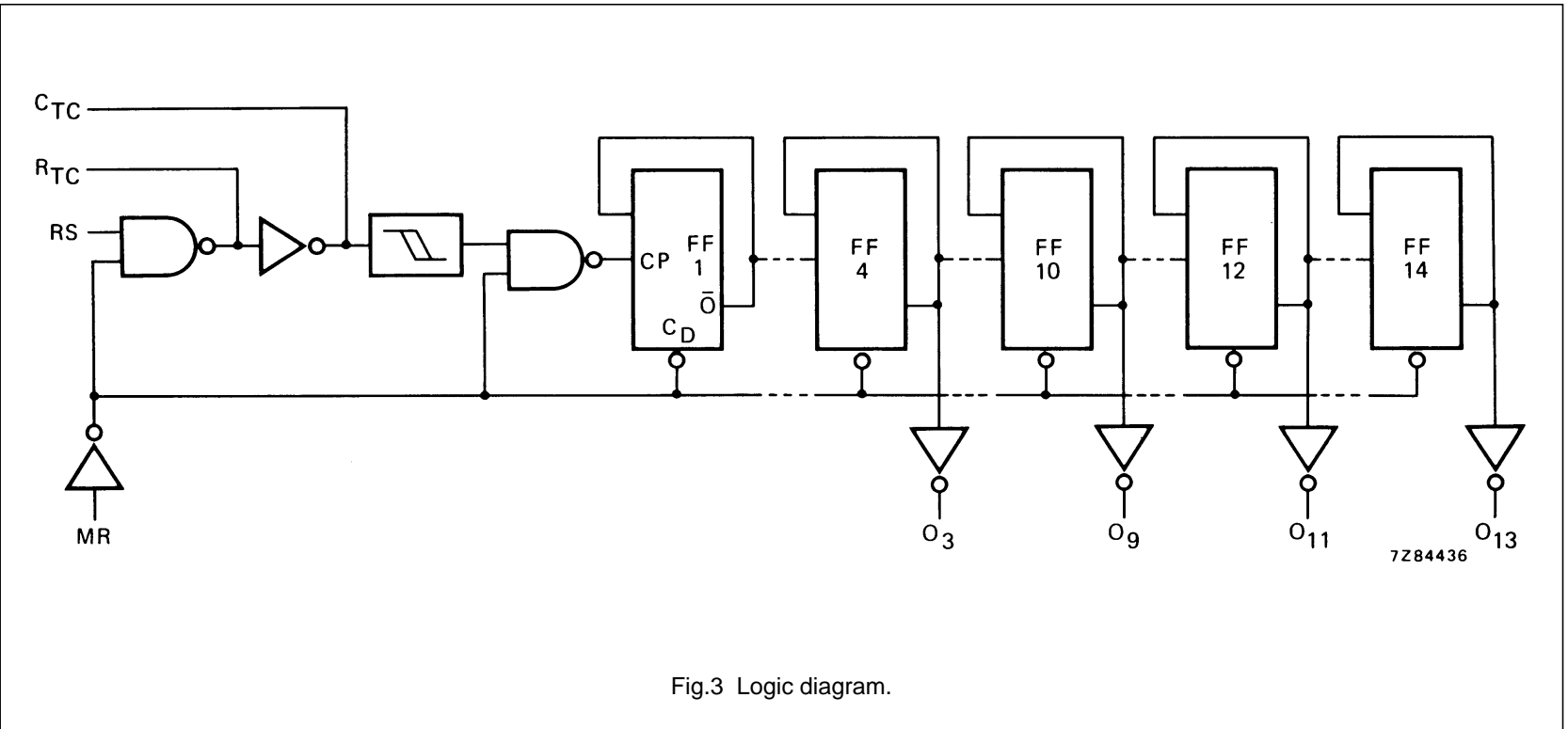


Fig.3 Logic diagram.

14-stage ripple-carry binary counter/divider and oscillator

HEF4060B MSI

AC CHARACTERISTICS

$V_{SS} = 0$ V; $T_{amb} = 25$ °C; $C_L = 50$ pF; input transition times ≤ 20 ns

	V_{DD} V	SYMBOL	MIN.	TYP.	MAX.	TYPICAL EXTRAPOLATION FORMULA				
Propagation delays	5	t_{PHL}		210	420	ns	$183 \text{ ns} + (0,55 \text{ ns/pF}) C_L$			
				HIGH to LOW	10	80		160	ns	$69 \text{ ns} + (0,23 \text{ ns/pF}) C_L$
					15	50		100	ns	$42 \text{ ns} + (0,16 \text{ ns/pF}) C_L$
	5	t_{PLH}			210	420	ns	$183 \text{ ns} + (0,55 \text{ ns/pF}) C_L$		
				LOW to HIGH	10	80	160		ns	$69 \text{ ns} + (0,23 \text{ ns/pF}) C_L$
					15	50	100		ns	$42 \text{ ns} + (0,16 \text{ ns/pF}) C_L$
	5	t_{PHL}			25	50	ns			
				HIGH to LOW	10	10	20		ns	
					15	6	12		ns	
		5	t_{PLH}			25	50		ns	
				LOW to HIGH		10	10		20	ns
						15	6		12	ns
5	t_{PHL}		100		200	ns	$73 \text{ ns} + (0,55 \text{ ns/pF}) C_L$			
			MR \rightarrow O_n HIGH to LOW	10	40	80		ns	$29 \text{ ns} + (0,23 \text{ ns/pF}) C_L$	
				15	30	60		ns	$22 \text{ ns} + (0,16 \text{ ns/pF}) C_L$	
Output transition times	5	t_{THL}			60	120	ns	$10 \text{ ns} + (1,0 \text{ ns/pF}) C_L$		
			HIGH to LOW		10	30	60		ns	$9 \text{ ns} + (0,42 \text{ ns/pF}) C_L$
					15	20	40		ns	$6 \text{ ns} + (0,28 \text{ ns/pF}) C_L$
	5	t_{TLH}			60	120	ns	$10 \text{ ns} + (1,0 \text{ ns/pF}) C_L$		
			LOW to HIGH		10	30	60		ns	$9 \text{ ns} + (0,42 \text{ ns/pF}) C_L$
					15	20	40		ns	$6 \text{ ns} + (0,28 \text{ ns/pF}) C_L$
Minimum clock pulse width input RS HIGH	5	t_{WRSH}			120	60	ns			
	10		50		25	ns				
	15		30		15	ns				
Minimum MR pulse width; HIGH	5	t_{WMRH}		50	25	ns				
	10			30	15	ns				
	15			20	10	ns				
Recovery time for MR	5	t_{RMR}		160	80	ns				
	10			80	40	ns				
	15			60	30	ns				
Maximum clock pulse frequency input RS	5	f_{max}		4	8	MHz				
	10			10	20	MHz				
	15			15	30	MHz				

14-stage ripple-carry binary counter/divider
and oscillator

HEF4060B
MSI

AC CHARACTERISTICS

V_{SS} = 0 V; T_{amb} = 25 °C; input transition times ≤ 20 ns

	V _{DD} V	TYPICAL FORMULA FOR P (μW) ⁽¹⁾
Dynamic power dissipation per package (P)	5	700 f _i + f _o C _L V _{DD} ²
	10	3 300 f _i + f _o C _L V _{DD} ²
	15	8 900 f _i + f _o C _L V _{DD} ²
Total power dissipation when using the on-chip oscillator (P)	5	700 f _{osc} + f _o C _L V _{DD} ² + 2C _t V _{DD} ² f _{osc} + 690 V _{DD}
	10	3 300 f _{osc} + f _o C _L V _{DD} ² + 2C _t V _{DD} ² f _{osc} + 6 900 V _{DD}
	15	8 900 f _{osc} + f _o C _L V _{DD} ² + 2C _t V _{DD} ² f _{osc} + 22 000 V _{DD}

Notes

1. where:

f_i = input frequency (MHz)

f_o = output frequency (MHz)

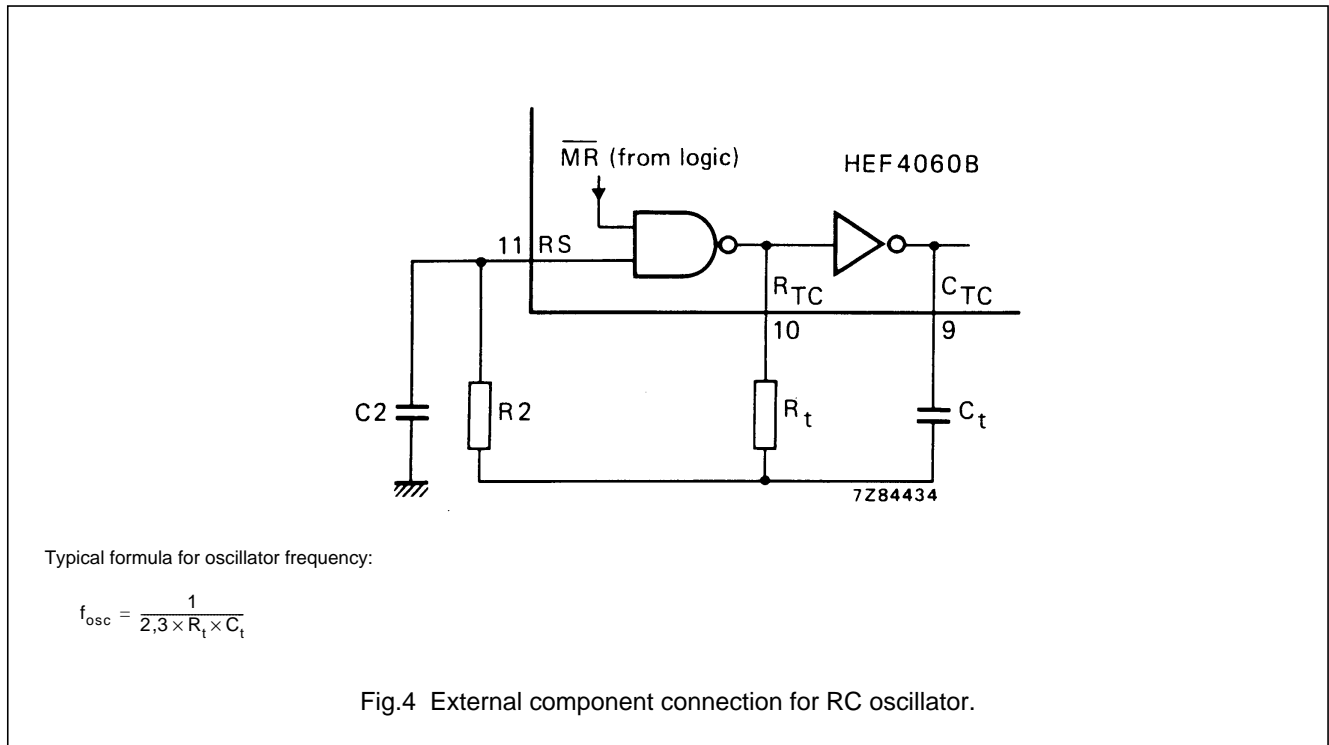
C_L = load capacitance (pF)

V_{DD} = supply voltage (V)

C_t = timing capacitance (pF)

f_{osc} = oscillator frequency (MHz)

RC oscillator



14-stage ripple-carry binary counter/divider
and oscillator

HEF4060B
MSI

Timing component limitations

The oscillator frequency is mainly determined by $R_t C_t$, provided $R_t \ll R_2$ and $R_2 C_2 \ll R_t C_t$. The function of R_2 is to minimize the influence of the forward voltage across the input protection diodes on the frequency. The stray capacitance C_2 should be kept as small as possible. In consideration of accuracy, C_t must be larger than the inherent stray capacitance. R_t must be larger than the LOCMOS 'ON' resistance in series with it, which typically is 500 Ω at $V_{DD} = 5$ V, 300 Ω at $V_{DD} = 10$ V and 200 Ω at $V_{DD} = 15$ V.

The recommended values for these components to maintain agreement with the typical oscillation formula are:

$C_t \geq 100$ pF, up to any practical value,
 10 k $\Omega \leq R_t \leq 1$ M Ω .

Typical crystal oscillator circuit

In Fig.5, R_2 is the power limiting resistor. For starting and maintaining oscillation a minimum transconductance is necessary.

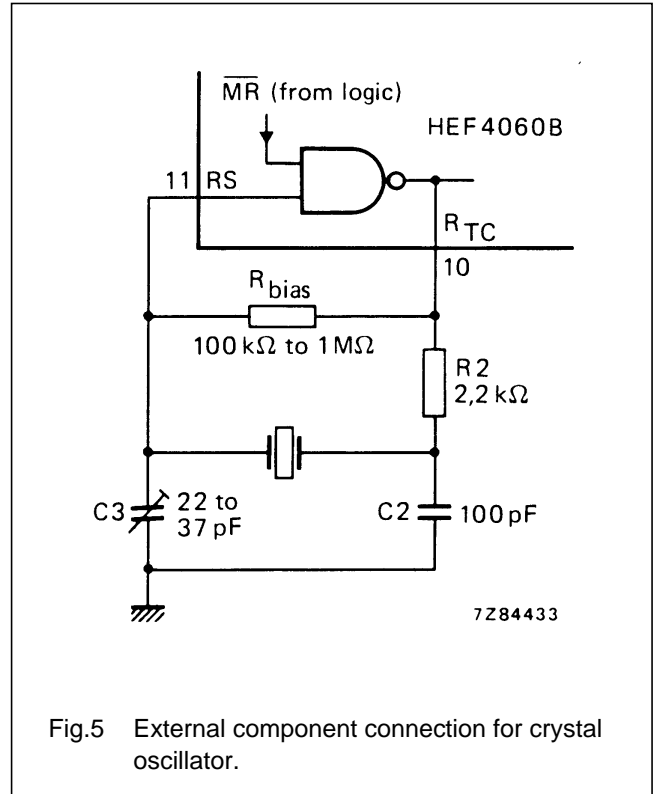


Fig.5 External component connection for crystal oscillator.

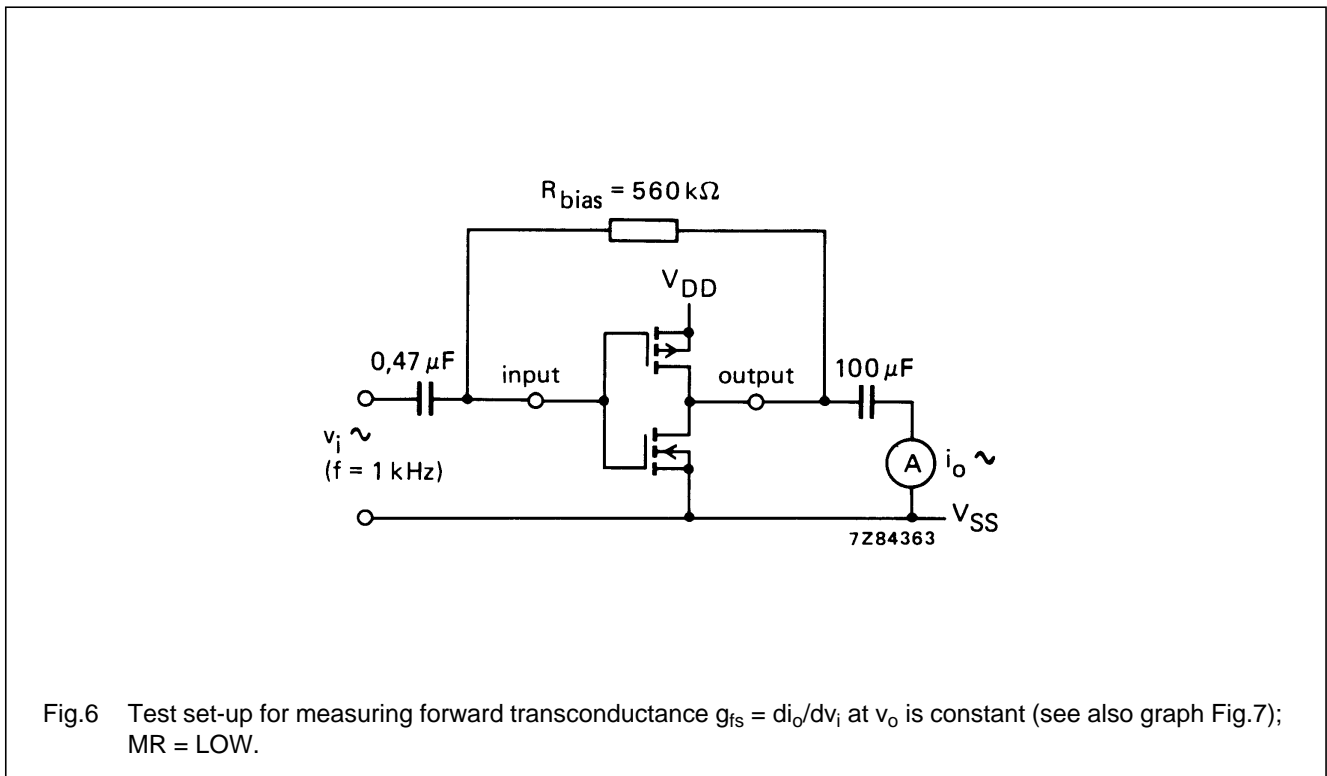


Fig.6 Test set-up for measuring forward transconductance $g_{fs} = di_o/dv_i$ at v_o is constant (see also graph Fig.7); $MR = LOW$.

14-stage ripple-carry binary counter/divider
and oscillator

HEF4060B
MSI

