

3 mm Square SMT Trimmer Potentiometers (Cermet, Open Frame Type)

Type: **EVM3G**
EVM3E
EVM3Y
EVM3S
EVM3R



3G, 3E



3S



3R



3Y

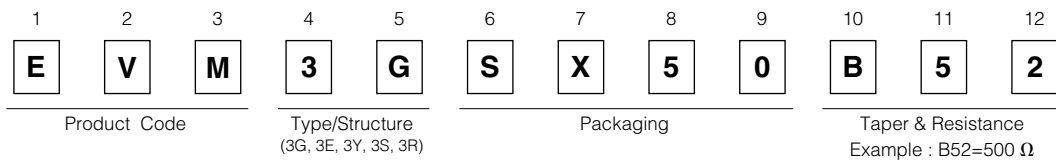
■ Features

- Automatic adjustment type (EVM3G, 3E, 3Y)
- Both sides adjust type (EVM3S)
- Back side adjust type and low-profile 0.9 mm (1.0 mm max.) EVM3R
- High reliability realized by cermet element
- Excellent mountability
- Conforms to JIS C5260-1:1999
- RoHS compliant

■ Recommended Applications

- Audio/visual, office, and communication equipment
- General electronic equipment

■ Explanation of Part Numbers



■ Specifications

| | |
|--|--|
| Total Resistance Value Resistance Tolerance | EVM3G, 3E, 3Y, 3S : 100 Ω to 1 MΩ / EVM3R : 500 Ω to 1 MΩ EVM3G : ±20 % / EVM3E, 3Y, 3S, 3R : ±25 % |
| Power Rating Limiting Element Voltage | 0.15 W 50 V |
| Rotation Torque | EVM3G, 3E, 3Y, 3S : 2 to 20 mN·m / EVM3R : 1 to 20 mN·m |
| Temperature Coefficient of Resistance | ±250 × 10 ⁻⁶ /°C |

■ Minimum Quantity/Packing Unit

| Part Number | Taping | | |
|---------------------------------------|-------------------|--------------------|-------------------|
| | Quantity per reel | Packaging quantity | Dia. of reel (mm) |
| EVM3G, EVM3E EVM3Y, EVM3S EVM3R | 2000 | 10000 | φ178 |

The standard packaging methods for a reel is φ178.

Please contact us, if you would like different packaging methods. (Bulk, Reel of φ330, Reel of φ380)

Design and specifications are each subject to change without notice. Ask factory for the current technical specifications before purchase and/or use.
Should a safety concern arise regarding this product, please be sure to contact us immediately.

■ Dimensions in mm (not to scale)

- 3-terminal, for Automatic Trimming Adjustment EVM3G, EVM3E

| | |
|--------------|---|
| <p>No. 1</p> | <div style="display: flex; align-items: center; justify-content: center;"> </div> <p style="margin-top: 10px;">Driver Slot width 0.6 length 2.1 depth 0.4</p> <p style="margin-top: 10px;">(Recommended Land Pattern)</p> <p style="text-align: center;">(Circuit diagram)</p> <p style="margin-top: 20px;">Mass (Weight) : 45 mg/pc.</p> |
|--------------|---|

- 3-terminal, for Automatic Trimming Adjustment EVM3Y


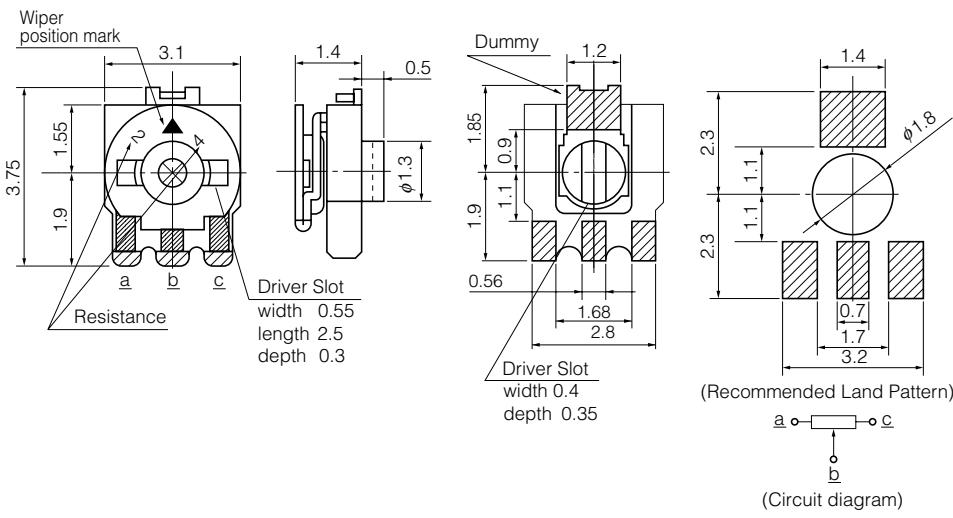
| | |
|--------------|---|
| <p>No. 2</p> | <div style="display: flex; align-items: center; justify-content: center;"> </div> <p style="margin-top: 10px;">Driver Slot width 0.6 length 2.1 depth 0.4</p> <p style="margin-top: 10px;">(Recommended Land Pattern)</p> <p style="text-align: center;">(Circuit diagram)</p> <p style="margin-top: 20px;">Mass (Weight) : 42 mg/pc.</p> |
|--------------|---|

Design and specifications are each subject to change without notice. Ask factory for the current technical specifications before purchase and/or use. Should a safety concern arise regarding this product, please be sure to contact us immediately.

■ Dimensions in mm (not to scale)

- 3-terminal, Both Sides AdjustEVM3S

No. 3

Wiper position mark

3.1

3.75

1.55

1.9

a b c

Resistance

Driver Slot
width 0.55
length 2.5
depth 0.3

1.4

0.5

$\phi 1.3$

Dummy

1.2

1.85

1.9

1.1

0.9

0.56

1.68

2.8

Driver Slot
width 0.4
depth 0.35

2.3

1.4

$\phi 1.8$

1.1

1.1

0.7

1.7

3.2

(Recommended Land Pattern)

a o — o c


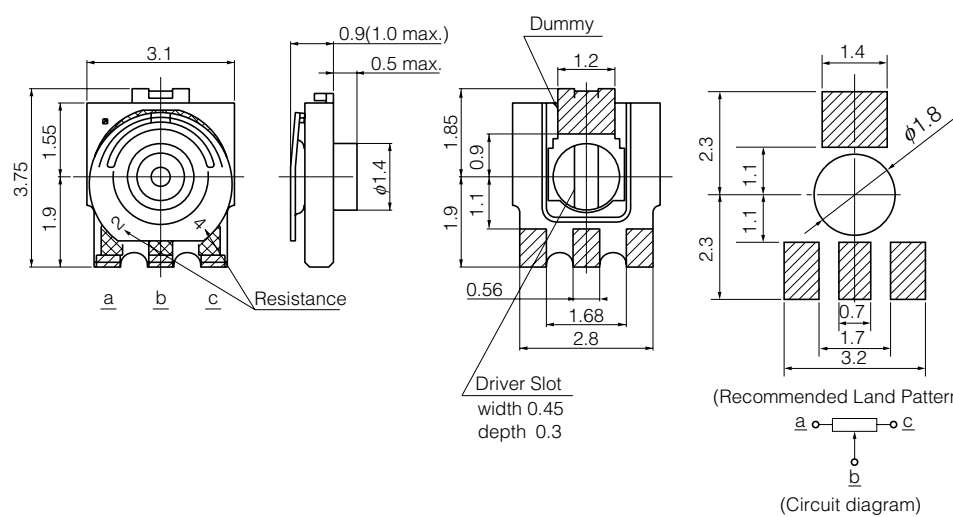
b

(Circuit diagram)

Mass (Weight) : 45 mg/pc.

- 3-terminal, Back Side Adjust EVM3R

No. 4

3.1

3.75

1.55

1.9

a b c

Resistance

0.9(1.0 max.)

0.5 max.

$\phi 1.4$

Dummy

1.2

1.85

1.9

1.1

0.9

0.56

1.68

2.8

Driver Slot
width 0.45
depth 0.3

2.3

1.4

$\phi 1.8$

1.1

1.1

0.7

1.7

3.2

(Recommended Land Pattern)

a o — o c

b

(Circuit diagram)

Mass (Weight) : 32 mg/pc.

Design and specifications are each subject to change without notice. Ask factory for the current technical specifications before purchase and/or use. Should a safety concern arise regarding this product, please be sure to contact us immediately.