

ELECTRICAL CHARACTERISTICS

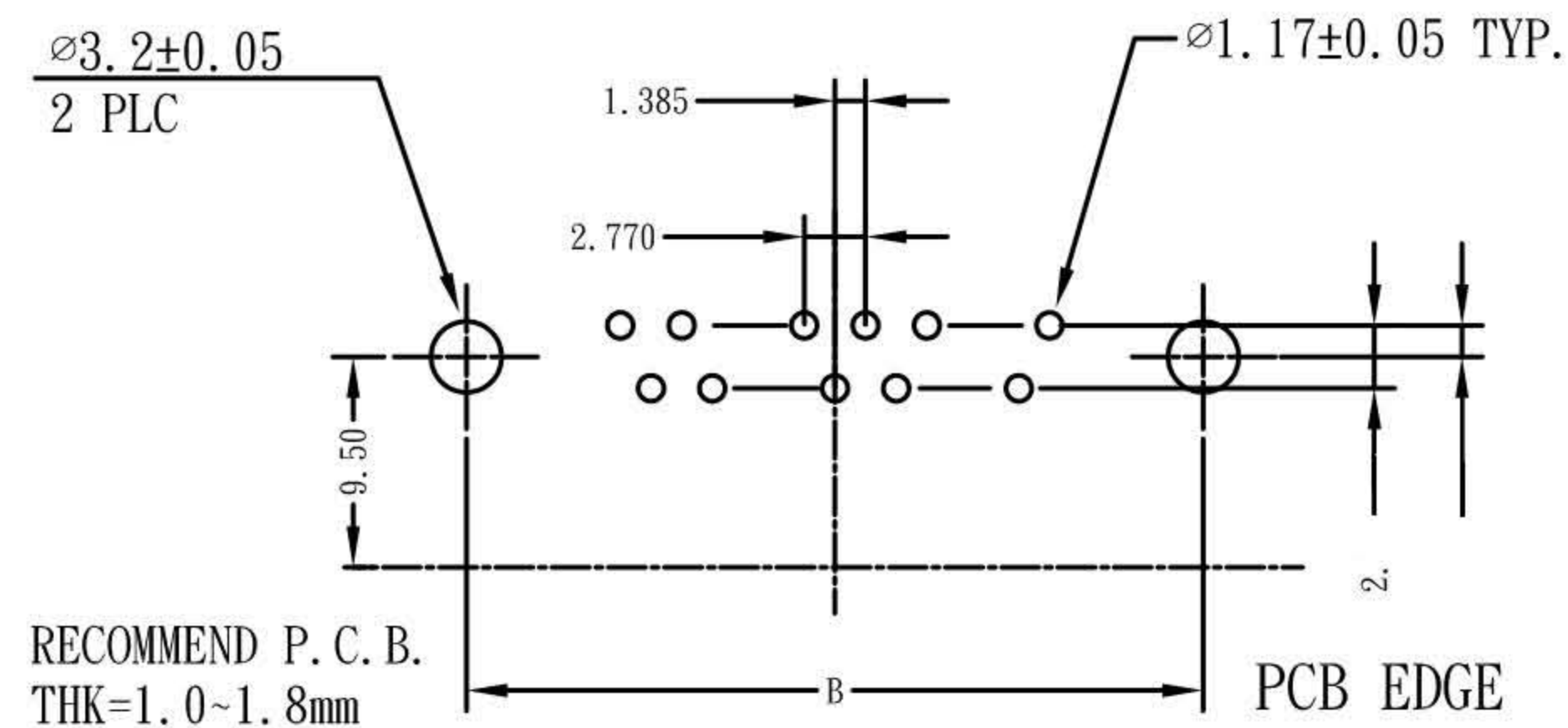
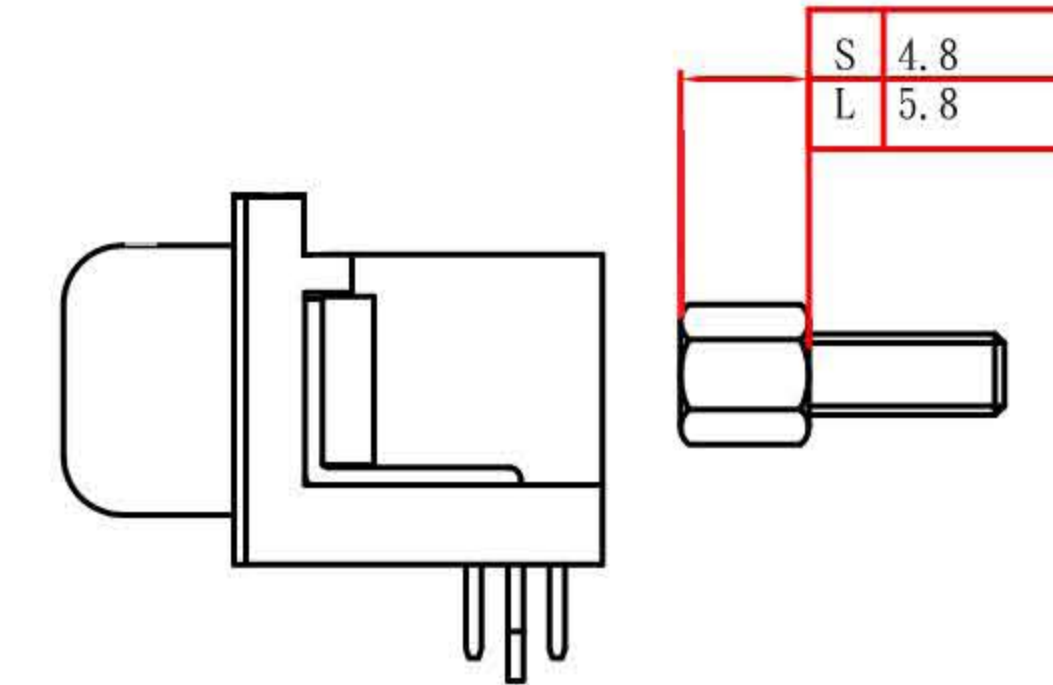
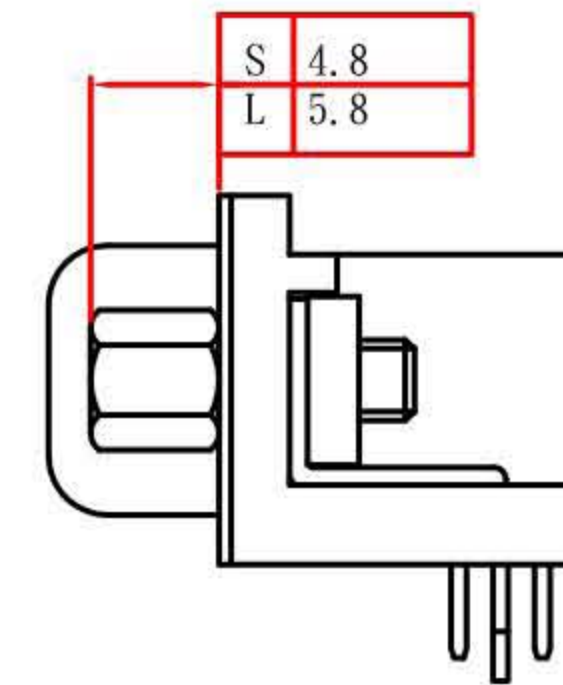
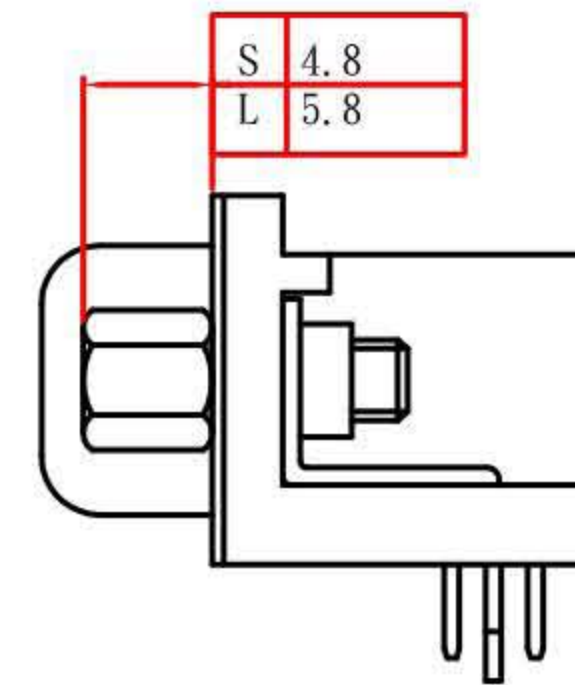
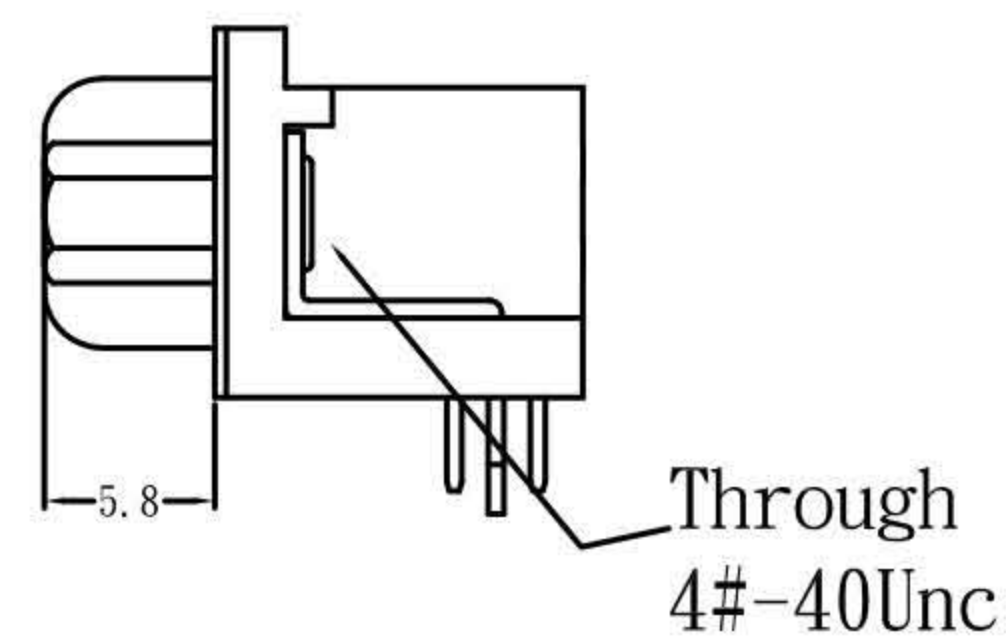
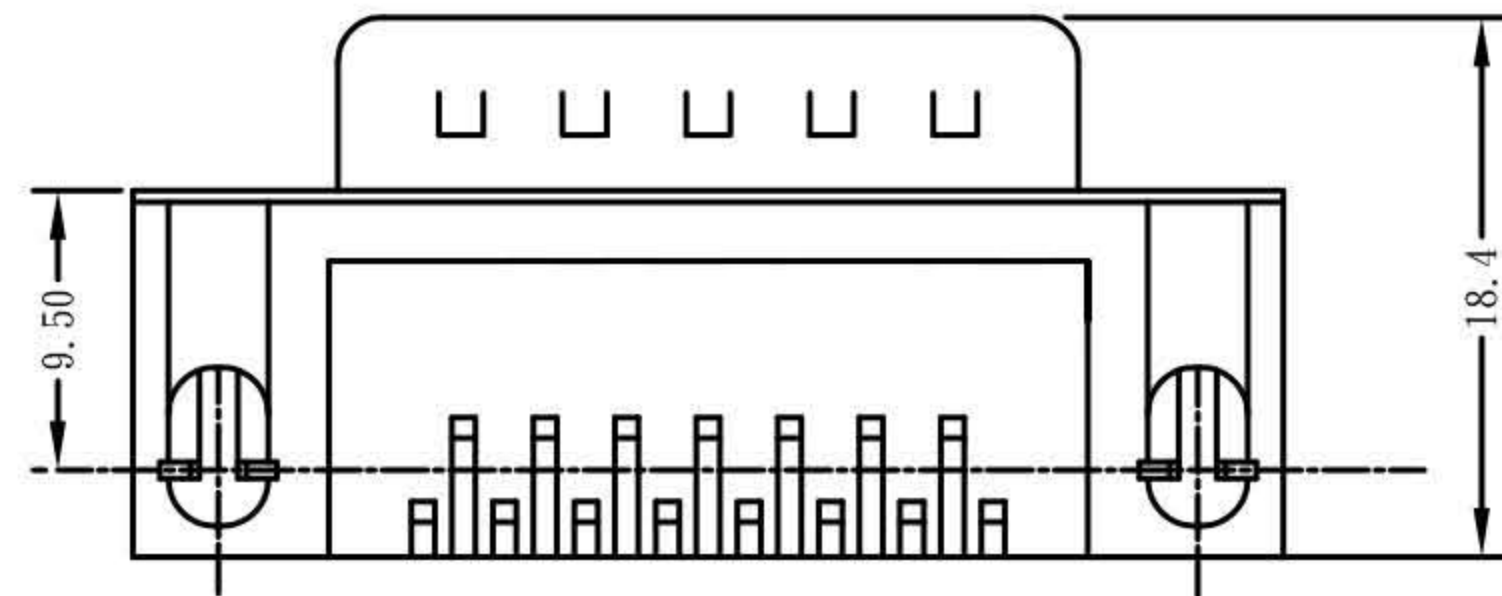
Contact Current Rating: 3Amperes.
 Dielectric Withstanding Voltage: AC 500V at sea level.
 Insulation Resistance: 1000Megohms Min.
 Contact Resistance: 30Milliohms Max.
 Operation Temperature : -55°C to +105°C.

Material

Contact : Copper Alloy.
 Insulator: PBT. (Select PA6T /LCP /PA9T)
 Shell: SPCC.
 Z-Piece: Fe.
 Screw: Copper Alloy.
 Rivet: Copper Alloy. or Zinc.

Note:

No.	A	B	C
09	16.92	24.99	30.81
15	25.25	33.32	39.14
25	38.96	47.04	53.04
37	55.42	63.50	69.32



RoHS Compliant		TAIWAN MAKE	
APPD.		TOLERANCE	PART NAME 品名
DWG. Karen	SCALE 参考	.0 ±0.3 .00 ±0.25 ANG. ±2°	D-SUB RIGHT ANGLE 7.2MM MALE
DATE 2012/08/02	UNIT M M	SIZE. A 4	PART NO.
	PAGE 1 OF 1	REV. B	料 號 106 SERIES