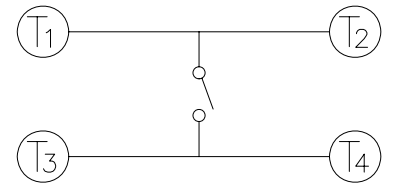
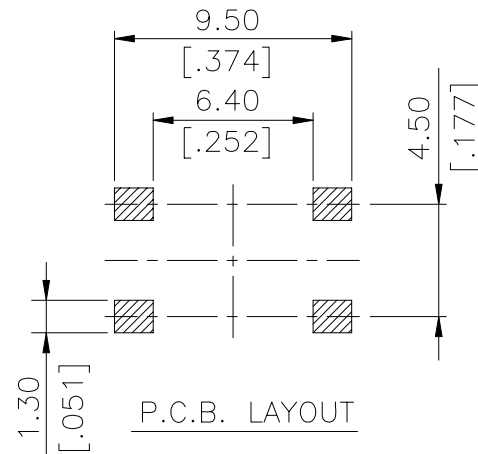
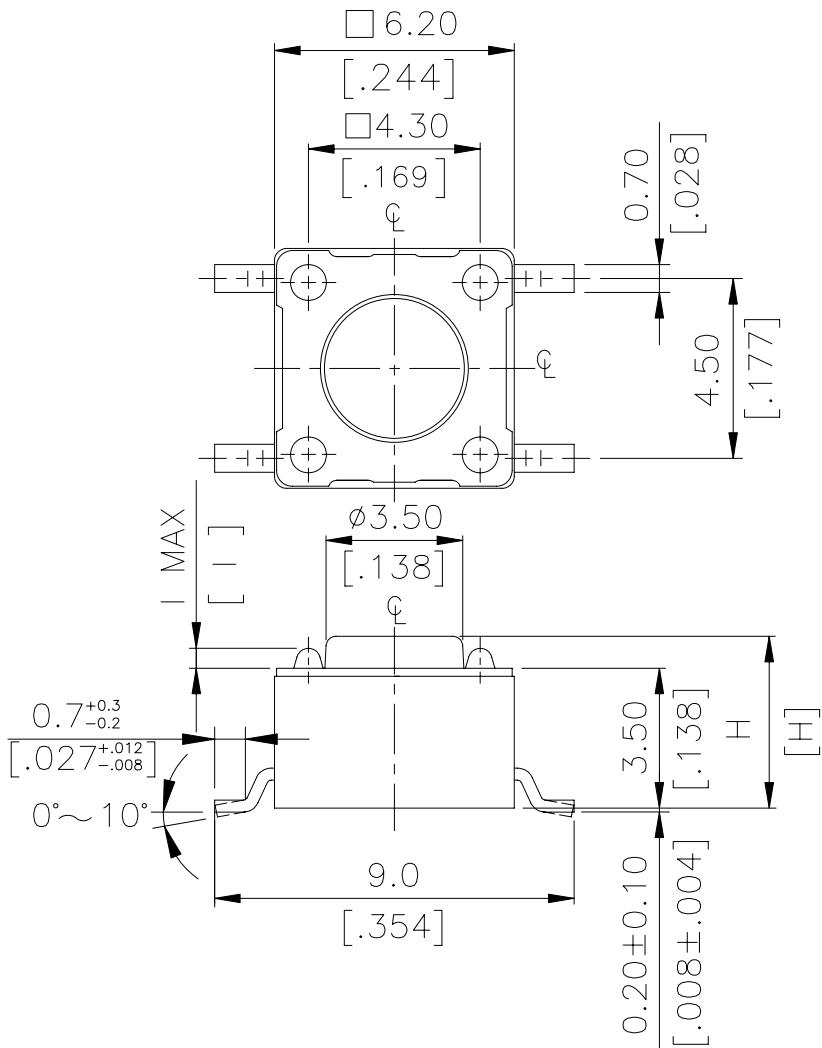


DTSM(G)-6(2) SERIES



DIMENSIONS

DTSM-6



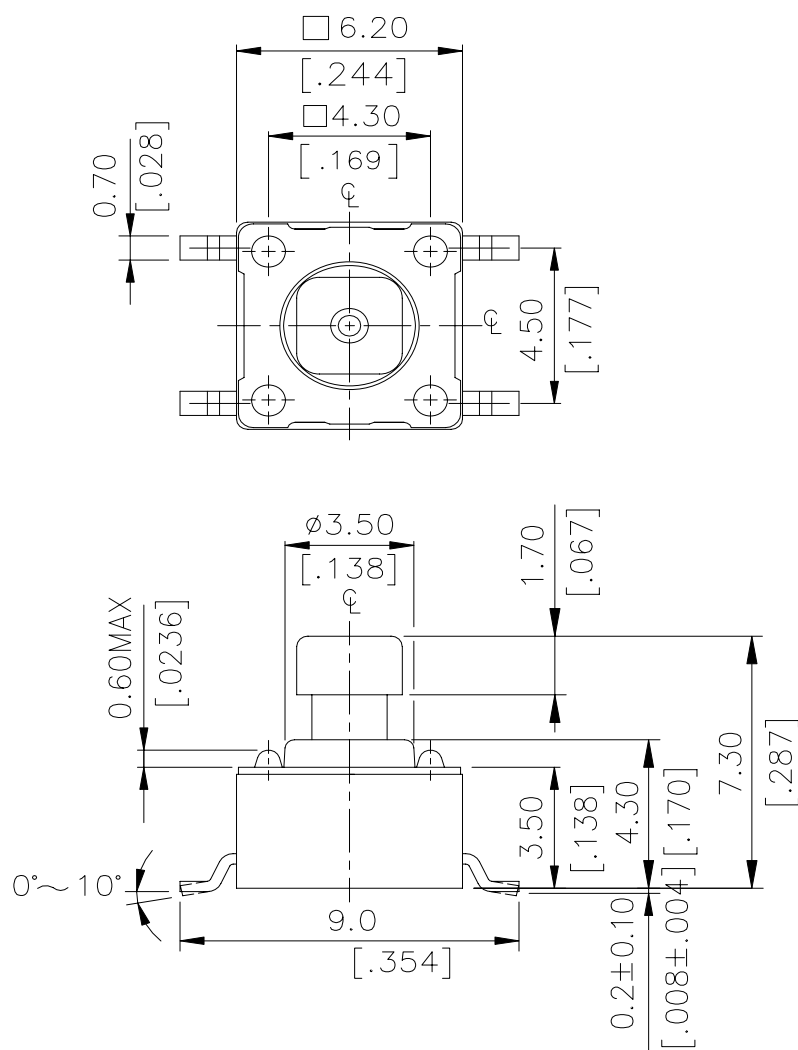
CIRCUIT DIAGRAM

DTSM-62~66 □ -V	0.6 MAX	.0236MAX
DTSM-61 □ -V	0.5 MAX	.0197MAX
PROD. NO.	I	INCHES.

DTSM-66 □ -V	13.0	[.512]
DTSM-65 □ -V	9.5	[.374]
DTSM-63 □ -V	7.0	[.275]
DTSM-62 □ -V	5.0	[.197]
DTSM-61 □ -V	4.3	[.169]
PROD. NO.	H	

General Tolerance : ±0.2mm

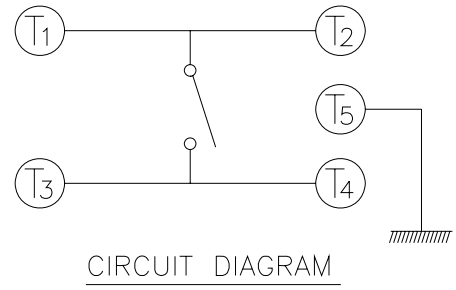
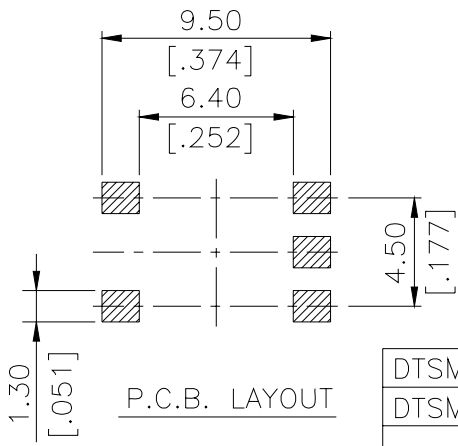
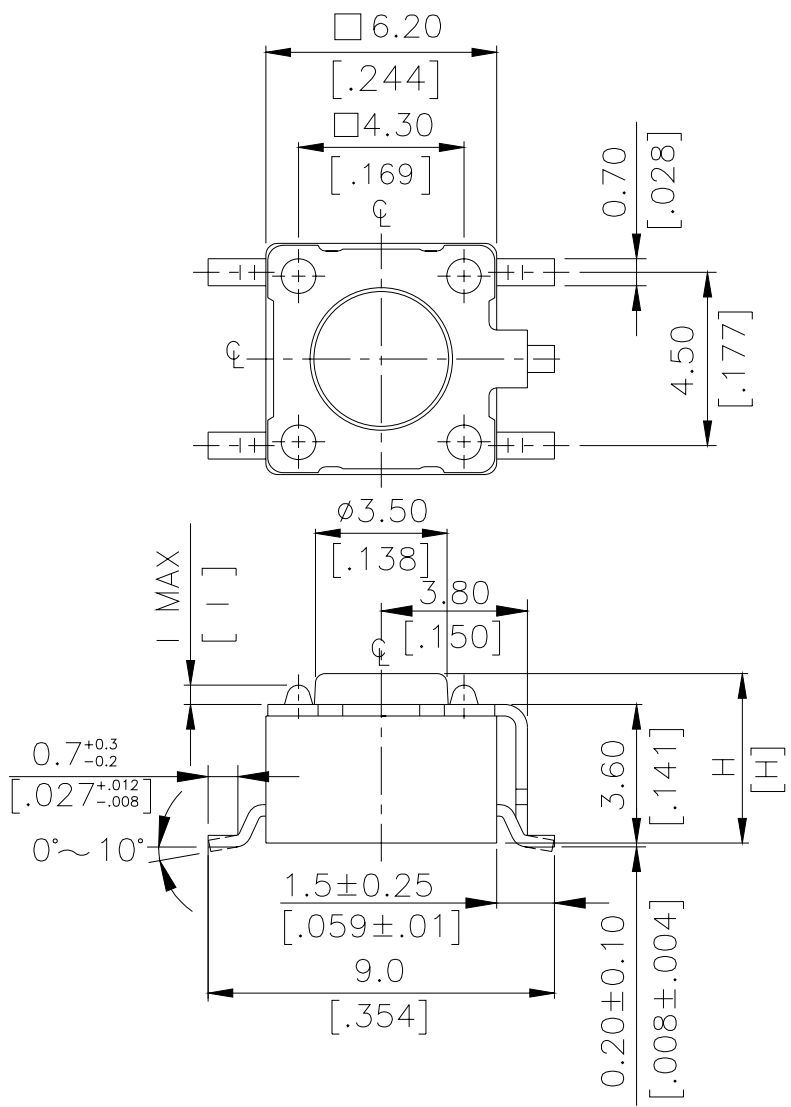
DTSM-64



DTSM-644 □	□ A	2.4	[.095]
	□ B	1.6	[.063]
DTSM-648 □	□ A	2.8	[.110]
	□ B	2.0	[.079]
PROD. NO.	LOC.	MM.	INCH.

General Tolerance : ±0.2mm

DTSMG-6

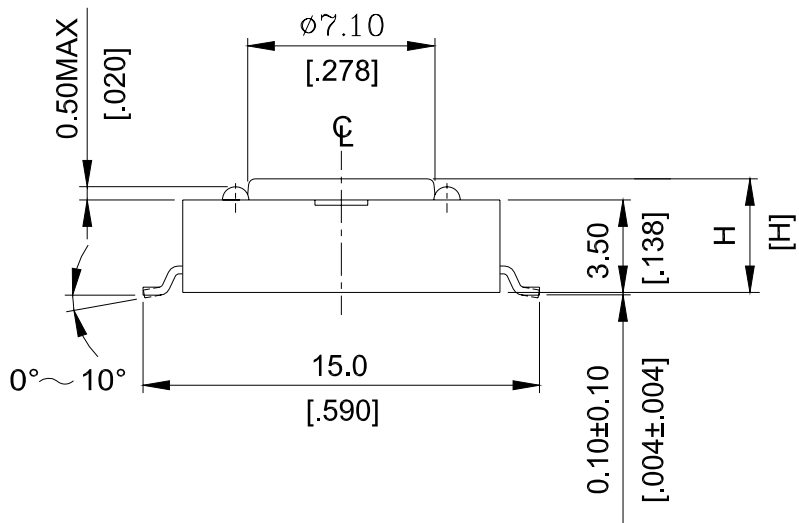
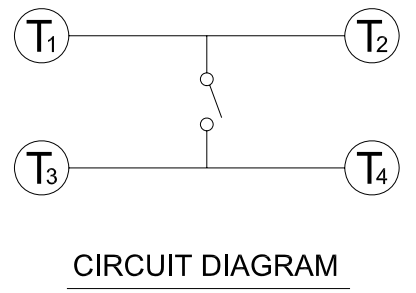
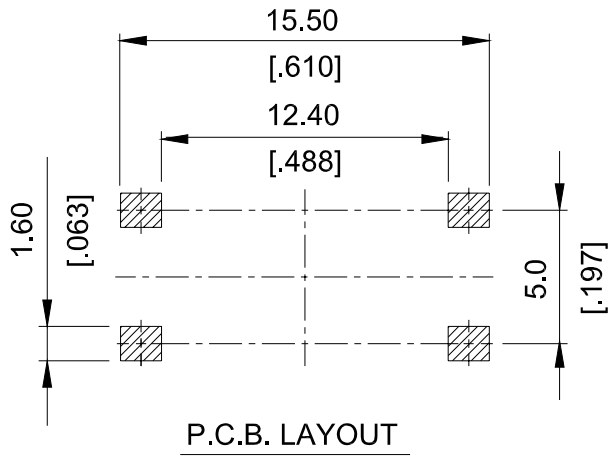
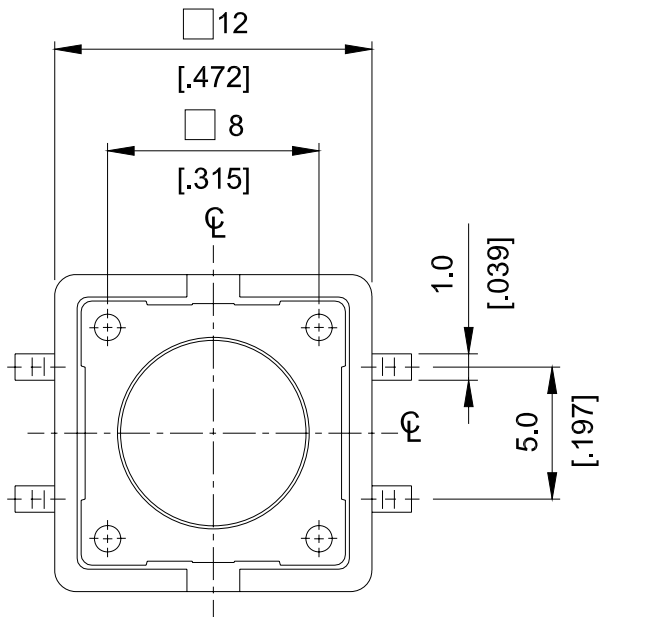


DTSMG-62~66□-V	0.5 MAX	.02MAX
DTSMG-61□-V	0.4 MAX	.016MAX
PROD. NO.	I	INCHES.

DTSMG- 6 6 □ -V	13.0 [0.512]
DTSMG- 6 5 □ -V	9.5 [0.374]
DTSMG- 6 3 □ -V	7.0 [0.275]
DTSMG- 6 2 □ -V	5.0 [0.197]
DTSMG- 6 1 □ -V	4.3 [0.169]
PROD. NO.	H

General Tolerance : ±0.2mm

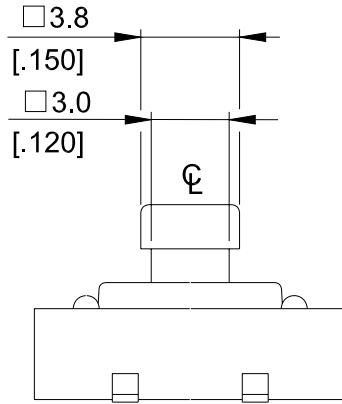
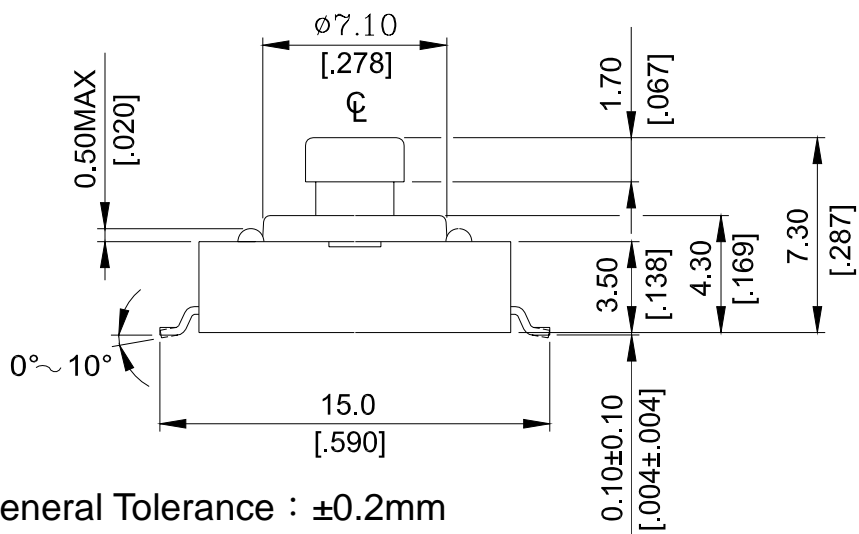
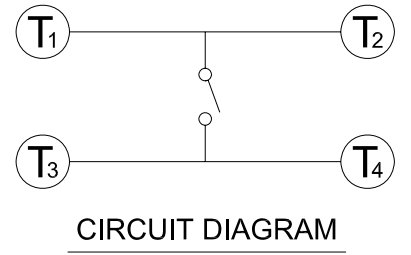
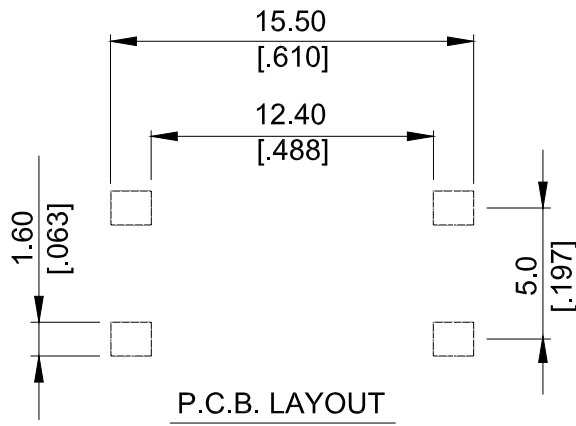
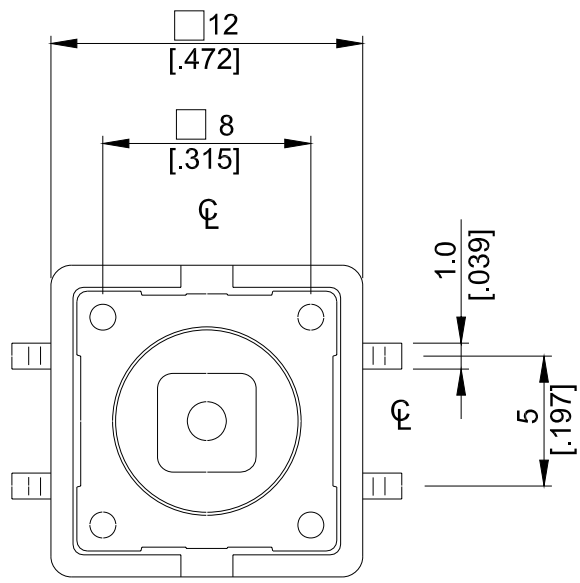
DTSM-2



DTSM-25	8.5[0.335]
DTSM-21	4.6[0.169]
PART NO	H

General Tolerance : ±0.2mm

DTSM-24



General Tolerance : ±0.2mm

HOW TO ORDER

DTSM □ - □ - □ - □ - □ - □

Package style :
B=Tube
T/R=Tape&Reel <▲ Except DTSM-66>

Soldering :
V=Lead Free Solderable

□=Phosphor Bronze Dome
S= Stainless Steel Dome
Color Of Stem For Operating Force :
K=Black,100gf
N=Brown,160gf
R=Red,260gf
S=Salmon,320gf
Y=Yellow,520gf

Dimension H :
1=4.3mm
2=5.0mm
3=7.0mm
44=7.3mm(SQ)X2.4mm
48=7.3mm(SQ)X2.8mm
5=9.5mm
6=13mm

Prod Size :
6=6X6mm

□=Without Ground Terminal
G=With Ground Terminal

Surface-Mourting Type Tactile Switch (Non-Washable)

DTSM - □ □ □ - □ - □

Package Style :

B = Tube

T/R = Tape & Reel

Soldering :

V = Lead Free Solderable

Color Of Stem For Operating Force :

N = Brown,160gf

R = Red,260gf

S = Salmon,320gf

Dimension H :

1 = 4.3mm

4 = 7.3mm(SQ)X3.8mm

5 = 8.5mm

Prod. Size :

2 = 12X12mm

Surface-Mounting Type Tactile Switch

<Non-Washable>

SPECIFICATION

△MECHANICAL

Operation Force: 520 ± 130gf Yellow (Y)
320 ± 80gf Salmon (S)
260 ± 50gf Red (R)
160 ± 50gf Brown (N)
100 ± 50gf Black (K)

Stroke: (6x6) 0.25 +0.2mm / -0.1mm
(12X12) 0.35 ±0.1mm

Operation Temperature: -25°C to +70°C

Storage Temperature: -30°C to +80°C

△ELECTRICAL(12x12)

Electrical Life: 100,000 cycles for 320gf, 520gf
100,000 cycles for 260gf
200,000 cycles for 100gf, 160gf

△ELECTRICAL(6x6)

Electrical Life: 1,000,000 cycles for 320gf, 520gf
500,000 cycles for 260gf
300,000 cycles for 100gf, 160gf

Rating: 50mA , 12VDC

Contact Resistance: 100mΩ max.

Insulation Resistance: 100MΩ min. at 500VDC

Dielectric Strength: 250VAC/ minute

Contact Arrangement: SPST

MATERIAL

△COVER: Stainless Steel(for DTSM-6、2)
Nickel Silver (for DTSMG-6)

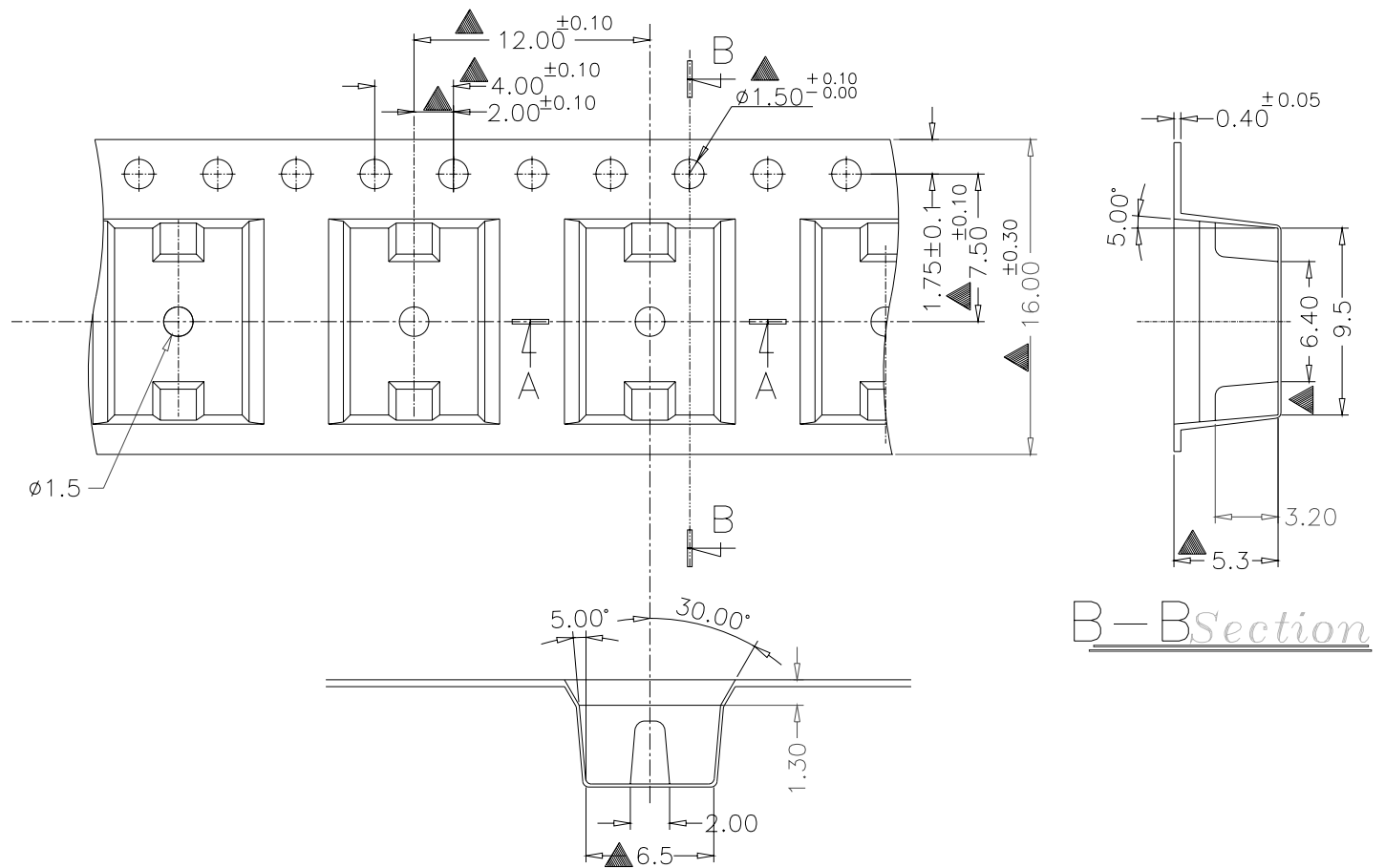
△BASE: UL94V-0 Nylon High-Temp. Thermoplastic
Color: Black (Standard)
Color: Brown (V option)

△STEM: UL94V-0 Nylon High-Temp. Thermoplastic
Color: Black (100gf), Brown (160gf)
Red (260gf), Salmon (320gf)
Yellow (520gf)

△CONTACT DISC: Phosphor Bronze with silver cladding
(Standard)
Stainless Steel(V option)

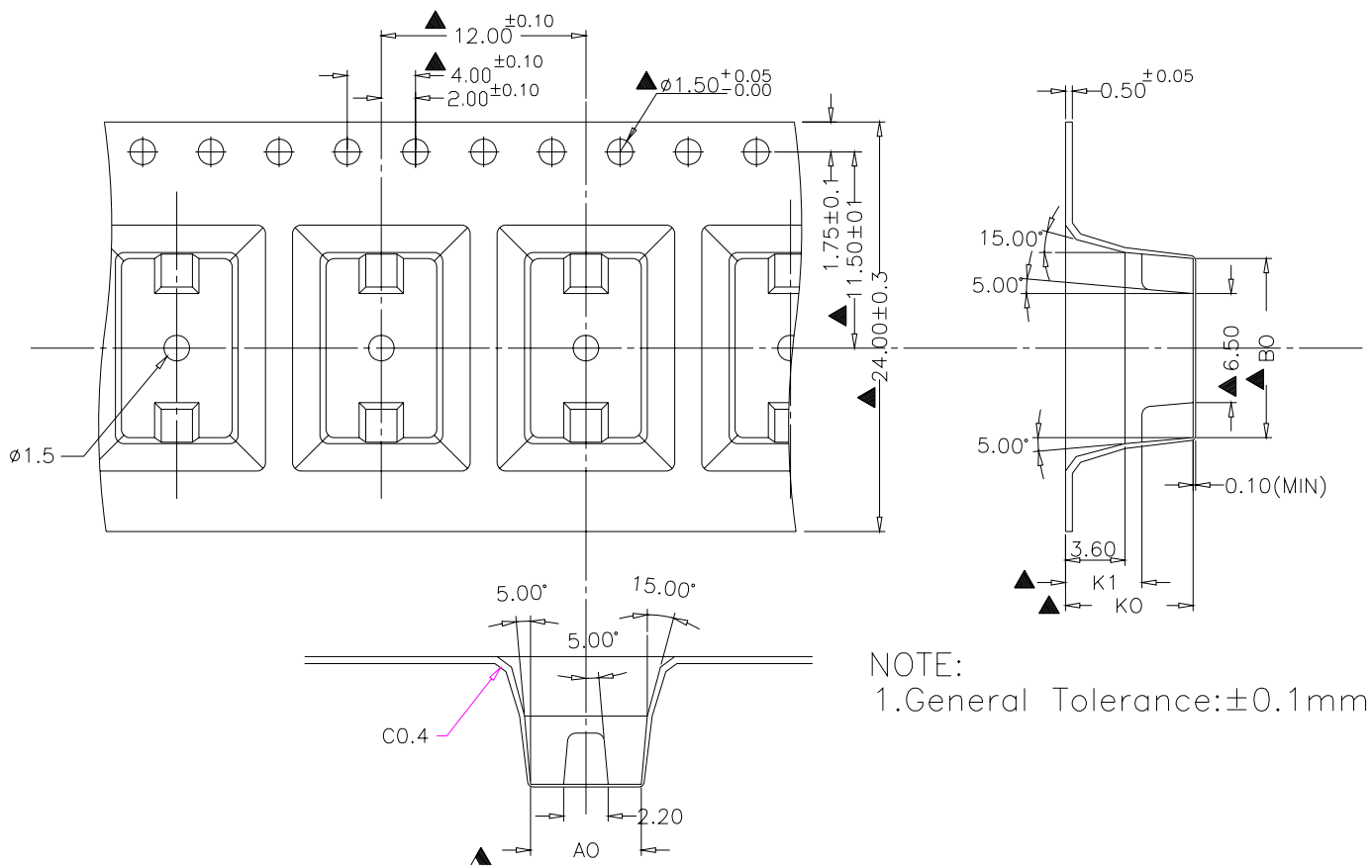
△TERMINAL: Brass with silver plated

DTSM-61.62 REEL



General Tolerance : ± 0.1 mm

DTSM-64 REEL

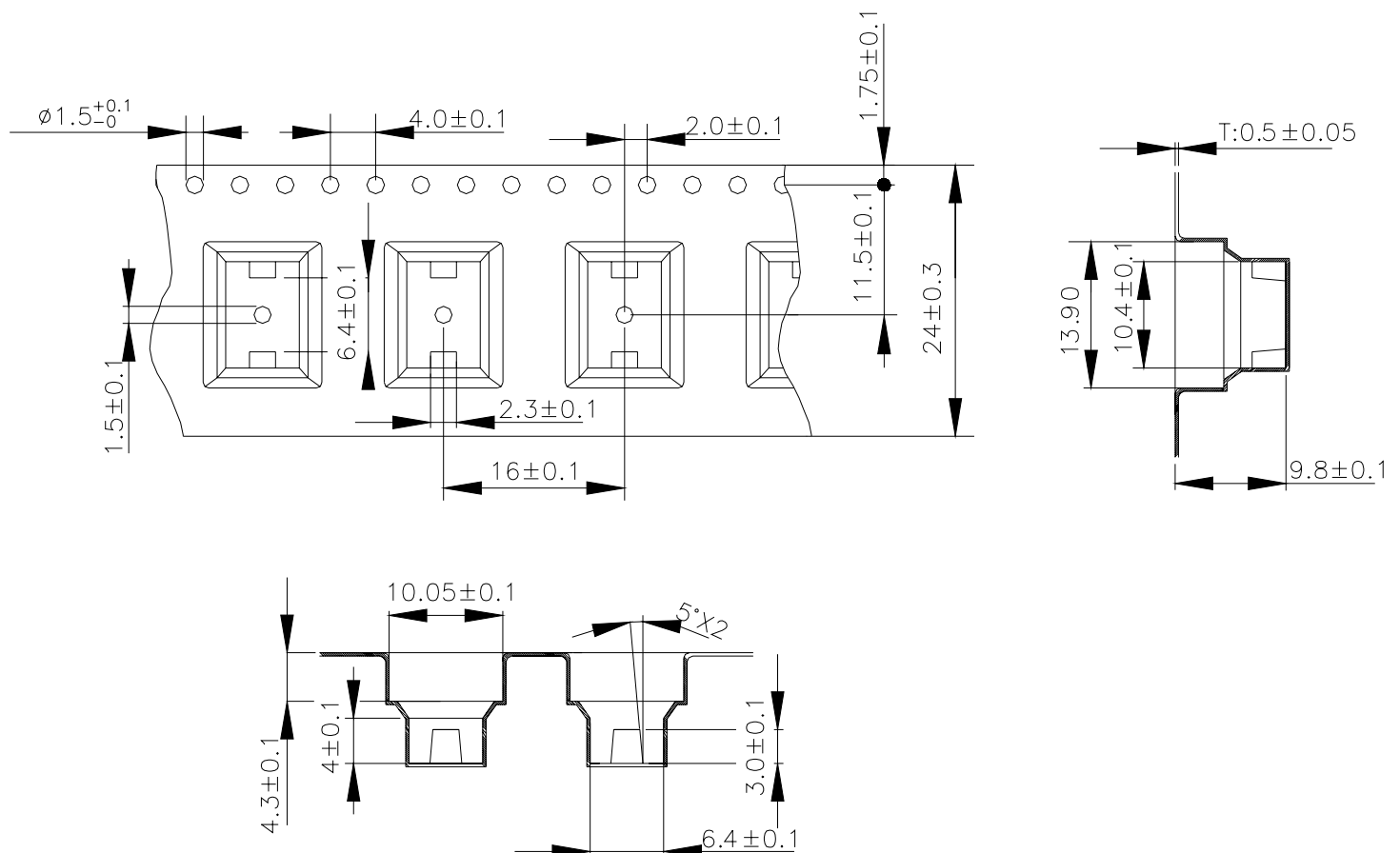


NOTE:
1. General Tolerance: ± 0.1 mm

Ao	6.50 ± 0.10
Bo	10.00 ± 0.10
Ko	7.60 ± 0.10
K1	4.90 ± 0.10

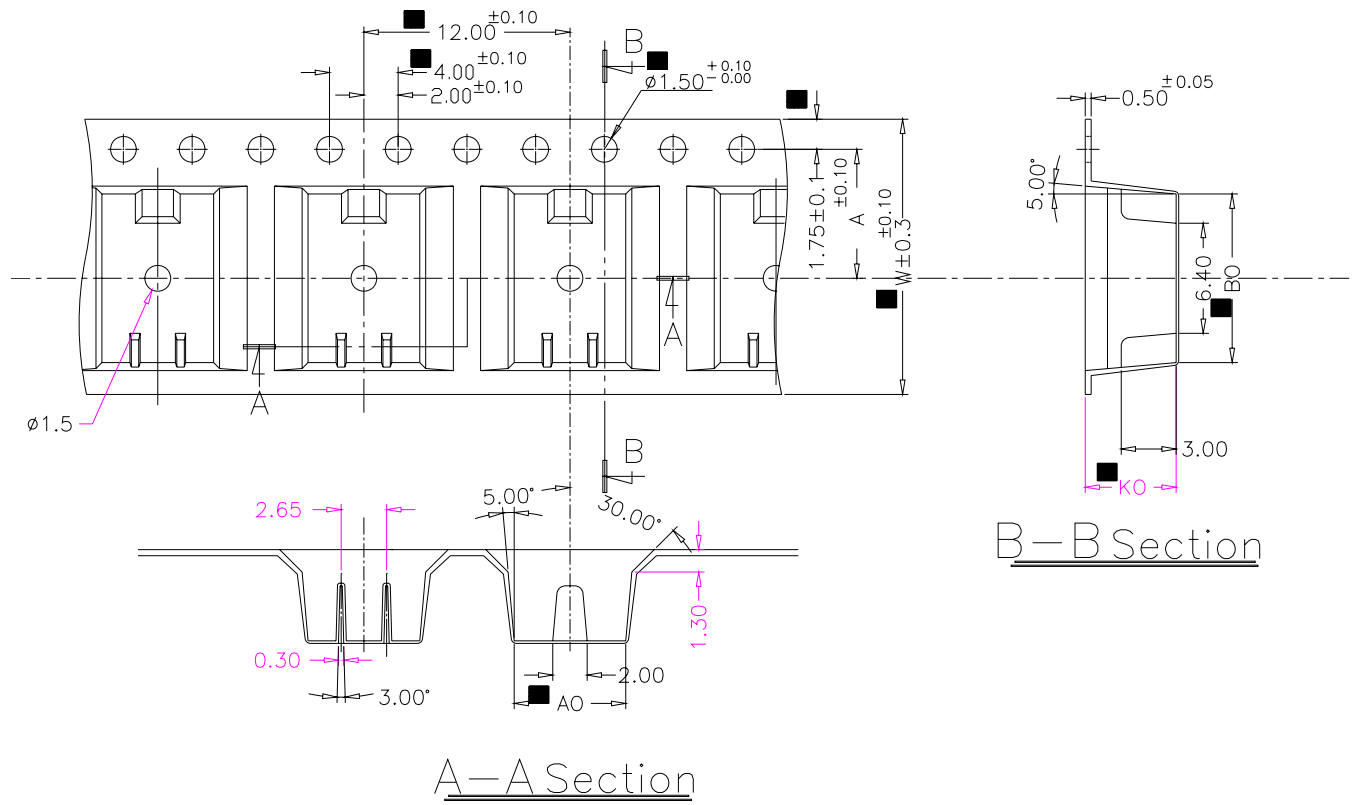
General Tolerance : ± 0.1 mm

DTSM-65 REEL



General Tolerance : ± 0.1 mm

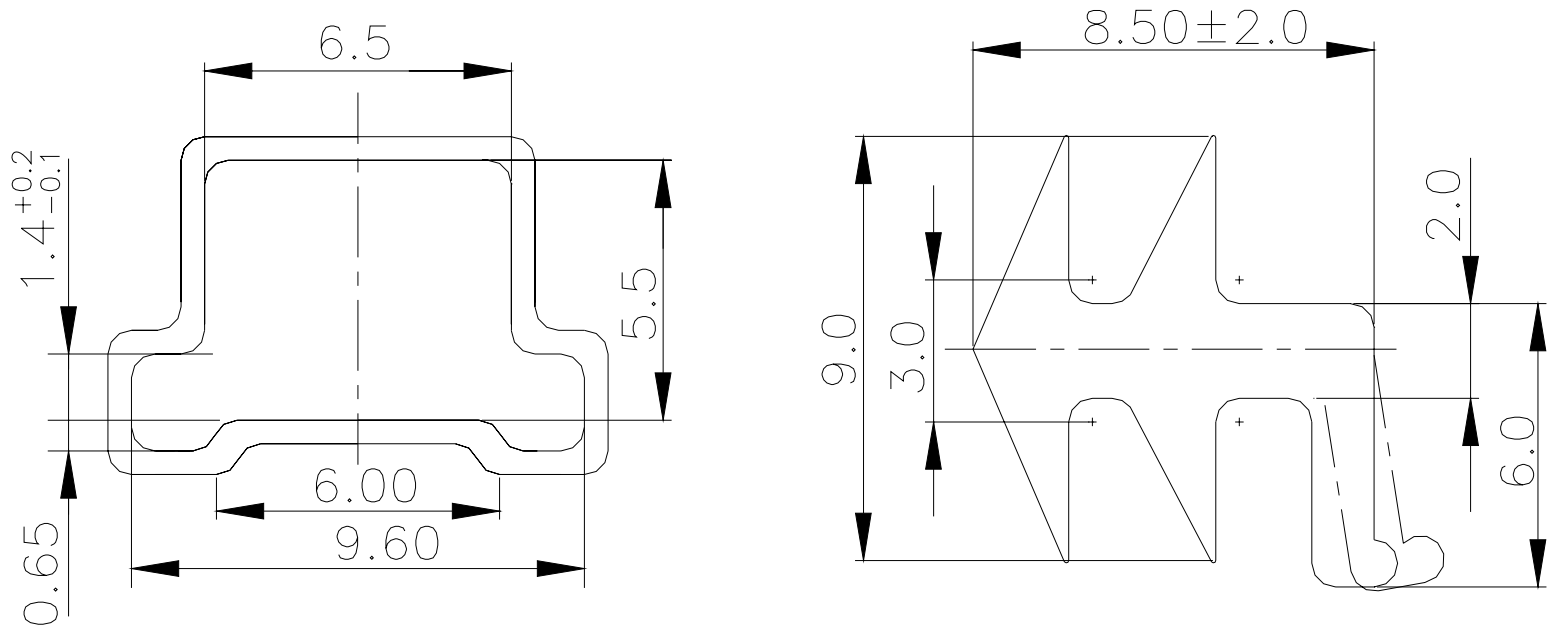
DTSMG-61.62.63.64.65 REEL



625350000	DTSMG-65	6.50	9.50	9.75	24.0	
625330000	DTSMG-63.64	6.50	9.50	7.40	24.0	11.50
625300000	DTSMG-61.62	6.50	9.50	5.30	16.0	7.50
PART NO:	PART NAME:	A0	BO	KO	W	A

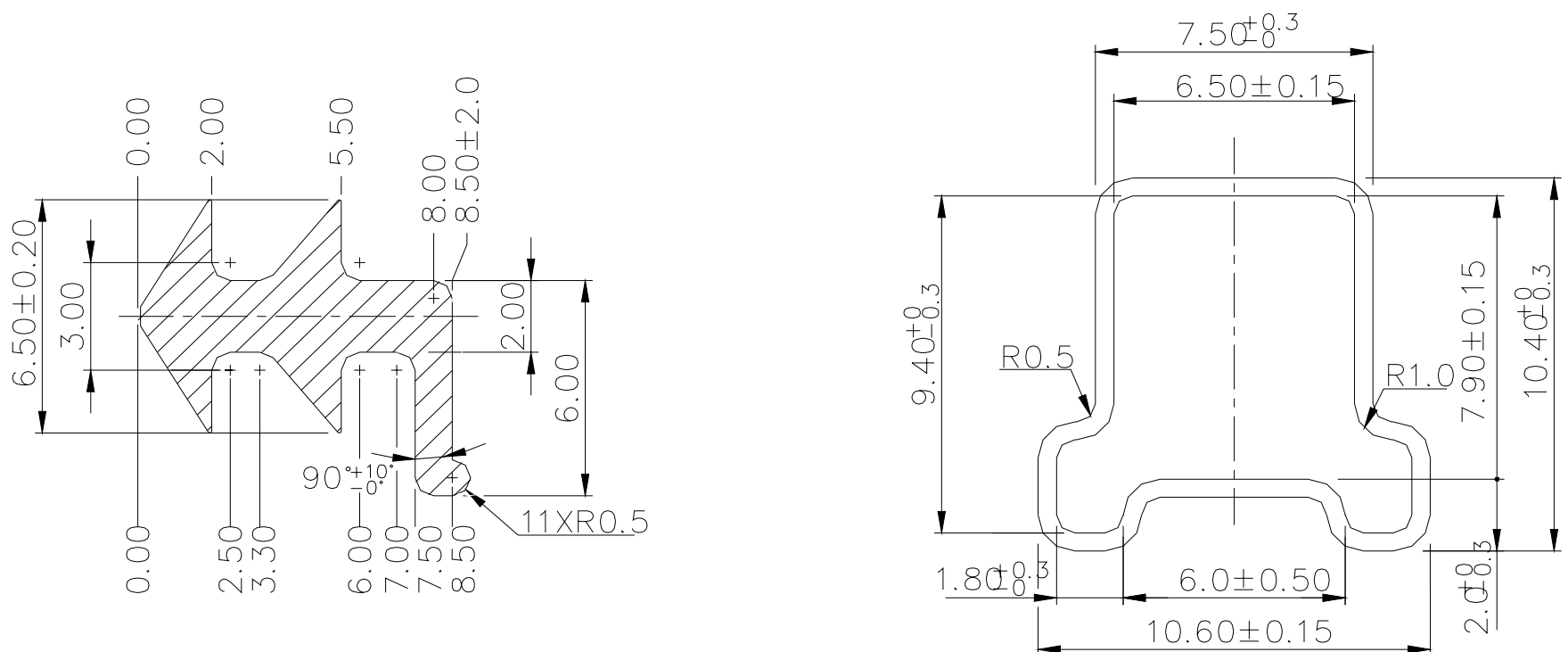
General Tolerance : $\pm 0.1\text{mm}$

DTSM-61.62 TUBE



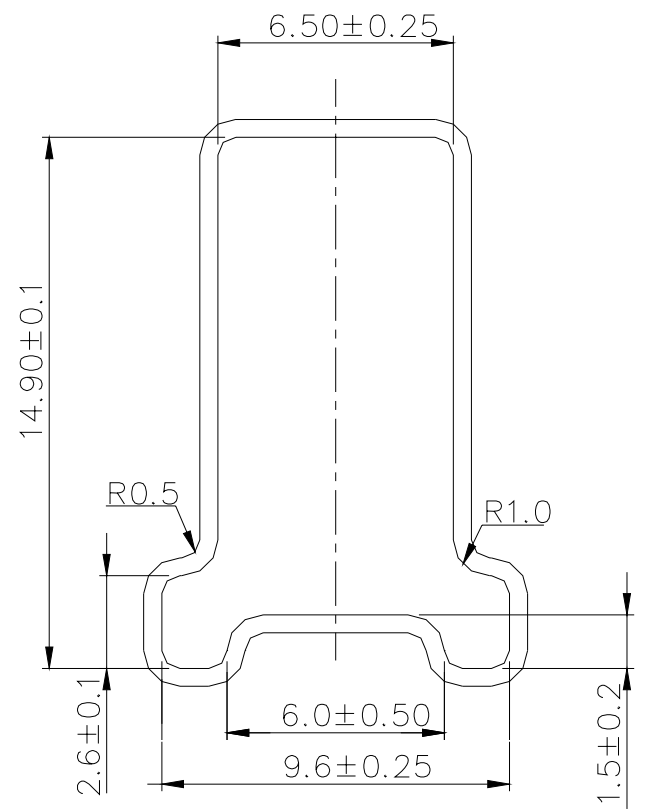
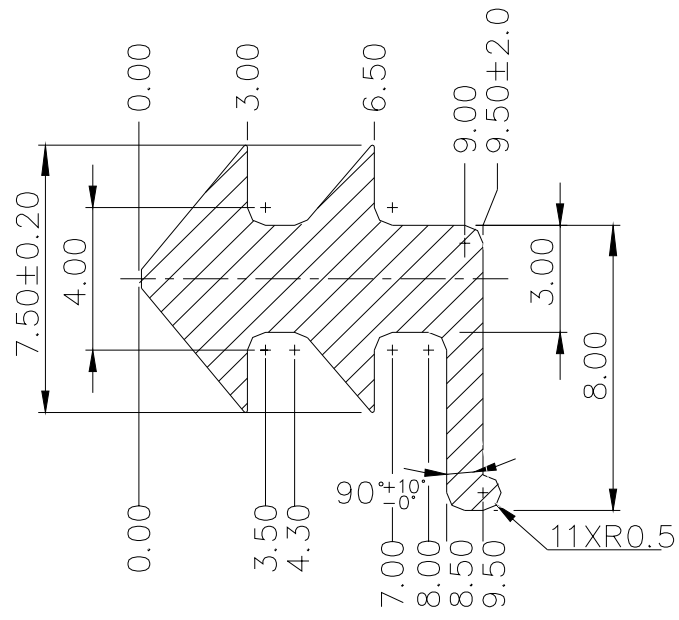
General Tolerance : $\pm 0.2\text{mm}$

DTSM-63.644(8) TUBE



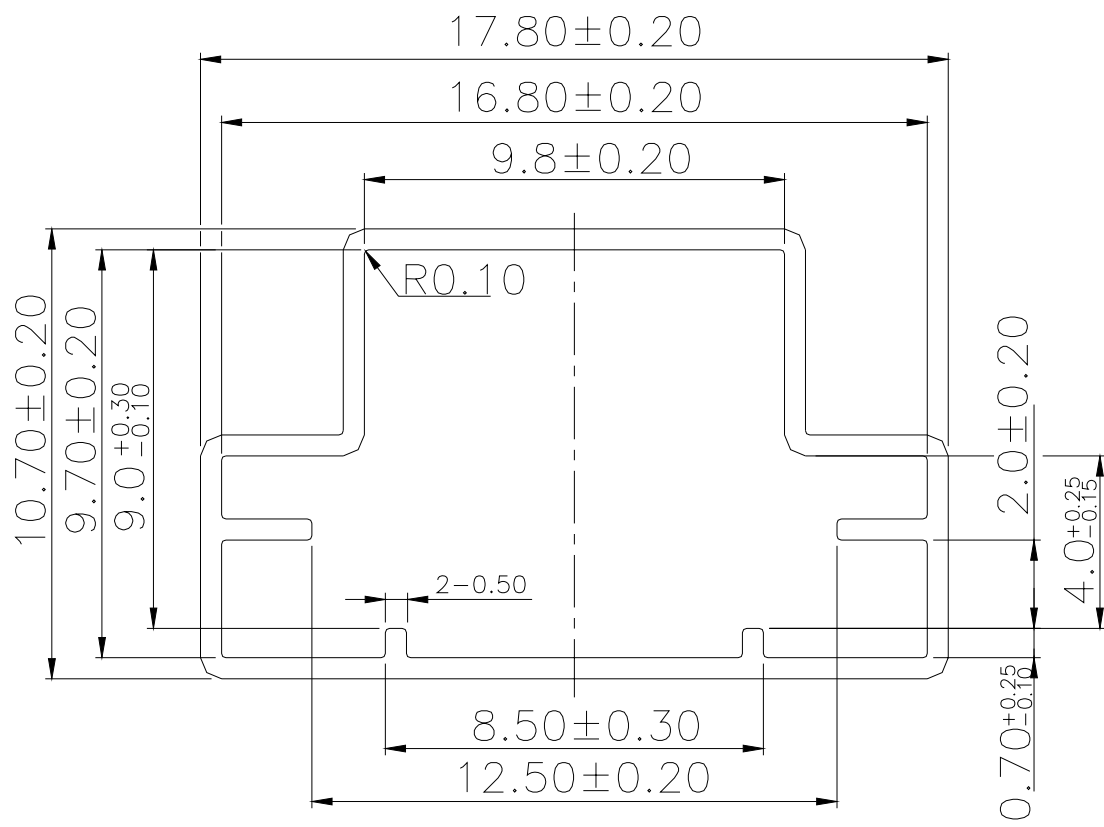
General Tolerance : $\pm 0.2\text{mm}$

DTSM-65.66 TUBE



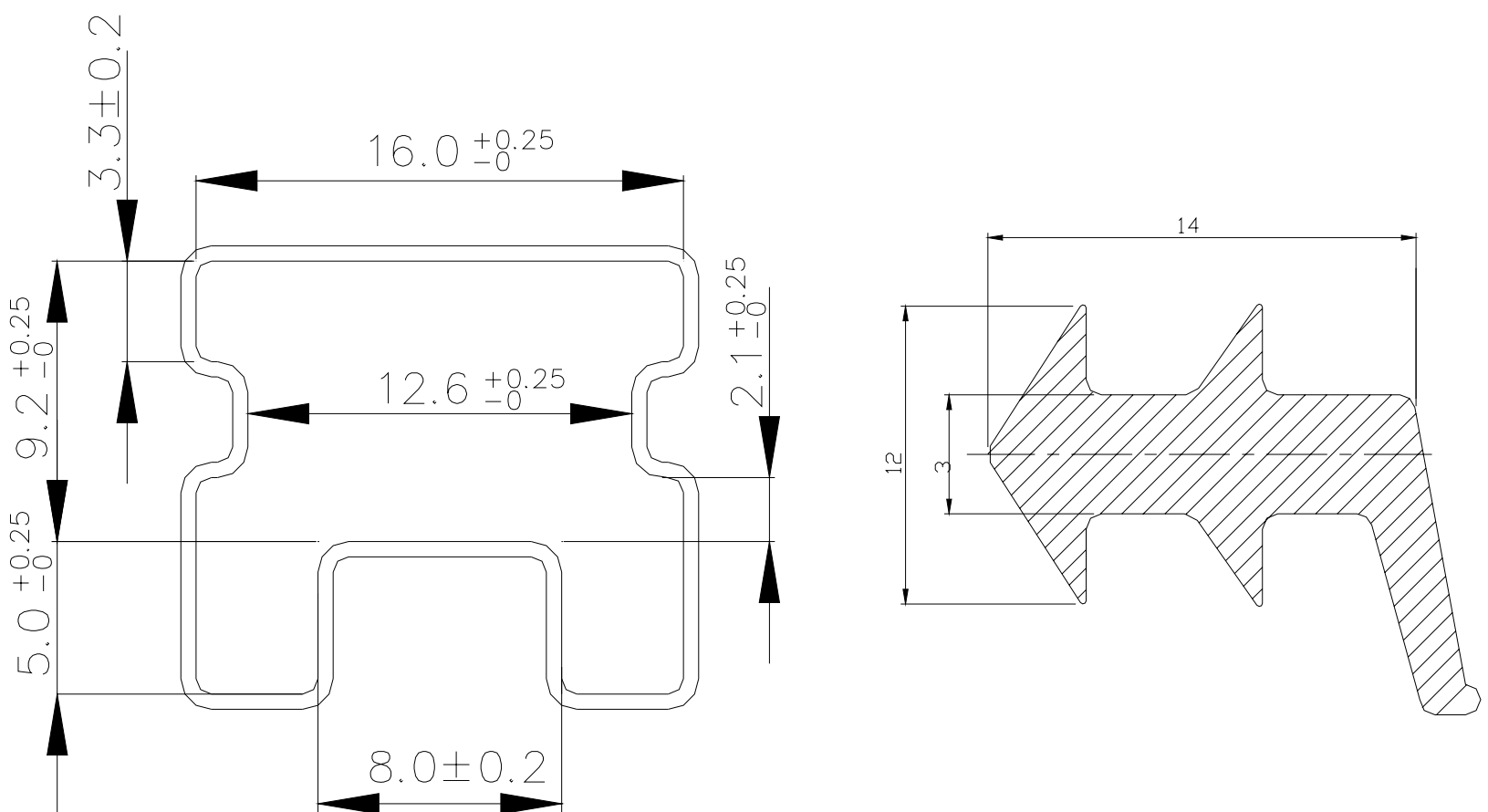
General Tolerance : ±0.2mm

DTSM-2 TUBE



General Tolerance : ±0.2mm

DTS-2 TUBE



General Tolerance : ±0.2mm