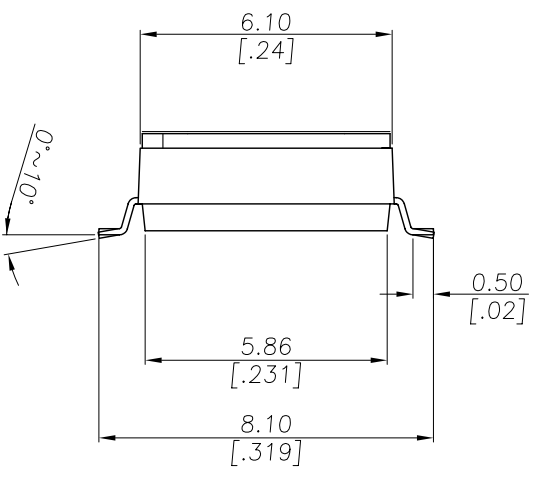
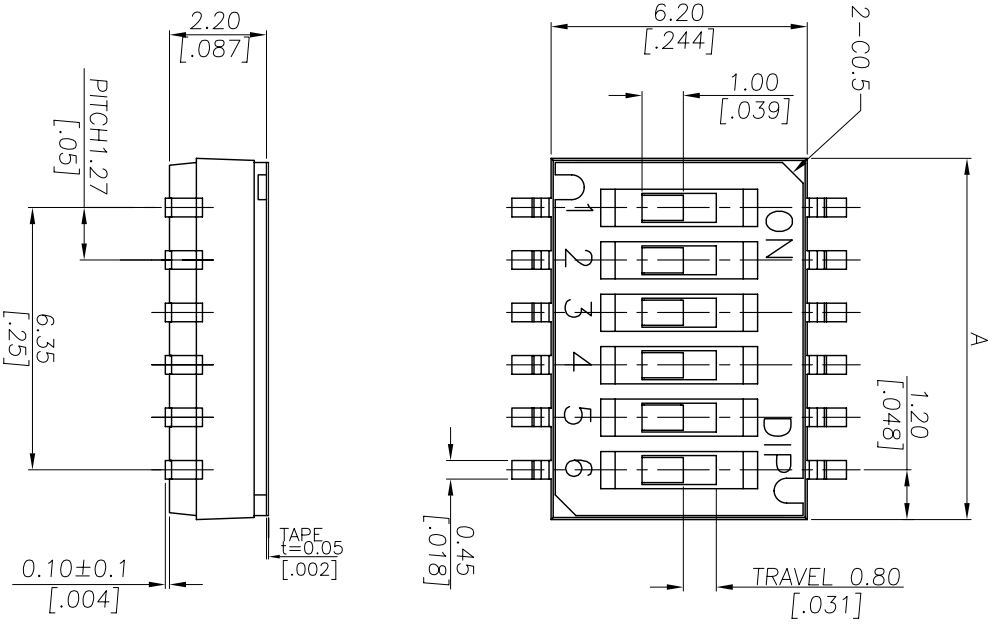
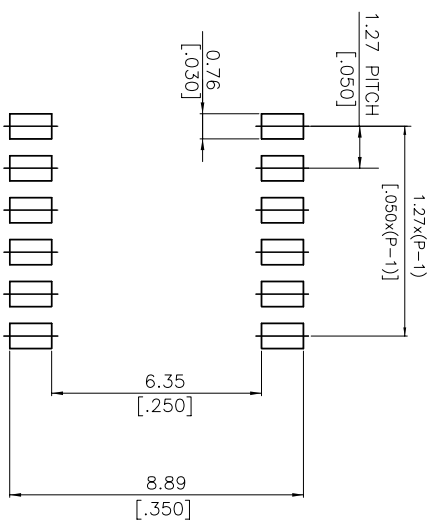


△			
△			
△			
△	A1	DMG.REL	6.27.11
△	ZONE	REV	DESCRIPTION
			日期
			APPD.

本公司之權利，未經同意不得複製  
 Diptronics copyright, from Diptronics  
 may not be used without permission from Diptronics



DHA-04Q	4	6.21 [0.244]
DHA-06Q	6	8.75 [0.344]
PROD.NO.	NO. OF POS	DIM A
SCHEMATIC(TYP.)		
(4.6 POS AVAIL)		



P.C.B. LAYOUT

NOTE:  
 1. ALL DIMENSIONS ARE IN MILLIMETERS, BRACKETED DIMENSIONS.  
 2. GENERAL TOLERANCES: ±0.20mm.

APPD:	DATE:		PART NAME:
CHKD:	SCALE:	2:1	S.M.T TYPE (HALF PITCH)
DR:	REV:	A1	DWG NO:
DESIGN:	UNITS:	mm	RD10PA
	PART NO.:	DHA-□□□□	
	MAT'L:		
	FINISH:		