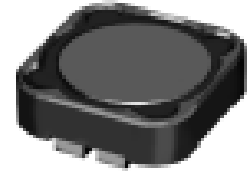
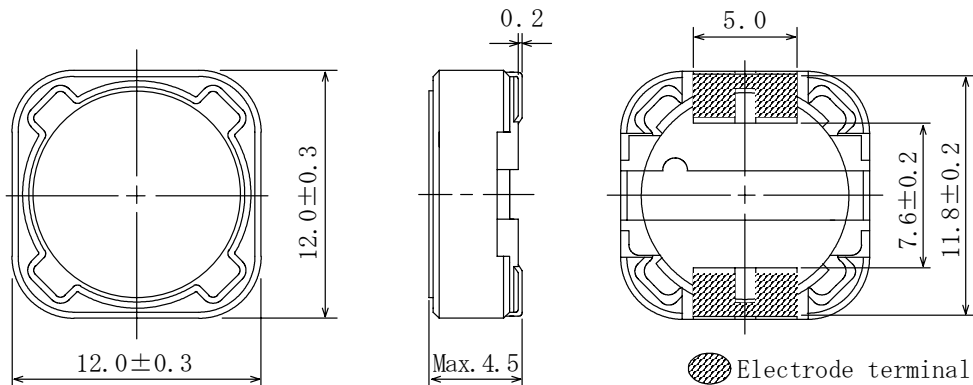
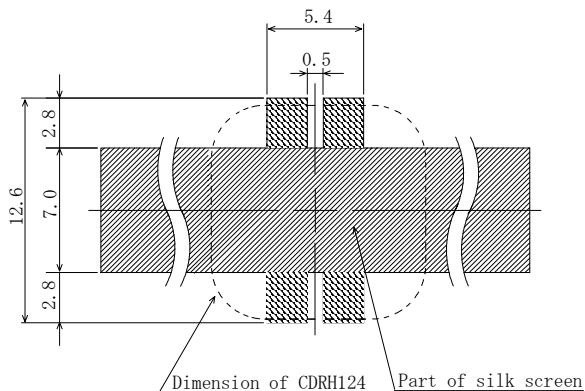


Type: CDRH124
◆ Product Description

- 12.3×12.3mm Max.(L×W), 4.5mm Max. Height.
- Inductance range:3.9~330 μ H
- Rated current range: 0.5~6.5A
- In addition to the standard versions of inductors shown here, custom inductors are available to meet your exact requirements.


◆ Feature

- Magnetically shielded construction.
- Ideally used in Notebook PC, LCD TV,DVD, Game machine, STB ,Projector etc as DC-DC Converter inductors.
- RoHS Compliance

◆ Dimensions (mm)

◆ Land Pattern (mm)


Type: CDRH124
◆ Specification

Part Name ※	Stamp	Inductance [Within] 100kHz/1V	D.C.R.(mΩ) Max(at 20°C)	Rated current (A) ※1
CDRH124NP-3R9M□	3R9	3.9 μH ± 20%	15	6.5
CDRH124NP-4R7M□	4R7	4.7 μH ± 20%	18	5.7
CDRH124NP-6R8M□	6R8	6.8 μH ± 20%	23	4.9
CDRH124NP-8R2M□	8R2	8.2 μH ± 20%	26	4.6
CDRH124NP-100M□	100	10 μH ± 20%	28	4.5
CDRH124NP-120M□	120	12 μH ± 20%	38	4.0
CDRH124NP-150M□	150	15 μH ± 20%	50	3.2
CDRH124NP-180M□	180	18 μH ± 20%	57	3.1
CDRH124NP-220M□	220	22 μH ± 20%	66	2.9
CDRH124NP-270M□	270	27 μH ± 20%	80	2.8
CDRH124NP-330M□	330	33 μH ± 20%	97	2.7
CDRH124NP-390M□	390	39 μH ± 20%	132	2.1
CDRH124NP-470M□	470	47 μH ± 20%	150	1.9
CDRH124NP-560M□	560	56 μH ± 20%	190	1.8
CDRH124NP-680M□	680	68 μH ± 20%	220	1.5
CDRH124NP-820M□	820	82 μH ± 20%	260	1.3
CDRH124NP-101M□	101	100 μH ± 20%	308	1.2
CDRH124NP-121M□	121	120 μH ± 20%	380	1.1
CDRH124NP-151M□	151	150 μH ± 20%	530	0.95
CDRH124NP-181M□	181	180 μH ± 20%	620	0.85
CDRH124NP-221M□	221	220 μH ± 20%	700	0.8
CDRH124NP-271M□	271	270 μH ± 20%	870	0.6
CDRH124NP-331M□	331	330 μH ± 20%	990	0.5

※ Description of part name

CDRH124RNP-3R9M□

└─── B Box
└─── C Carrier Tape

※1 Rated current: The DC current at which the inductance decreases to 75% of its nominal value or when Δt=40°C, whichever is lower (Ta=20°C).