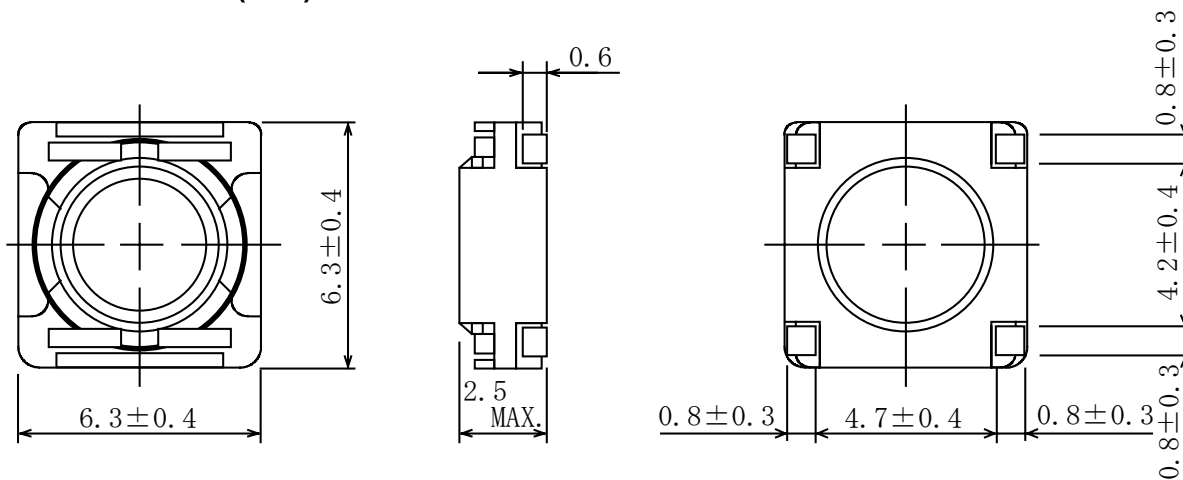
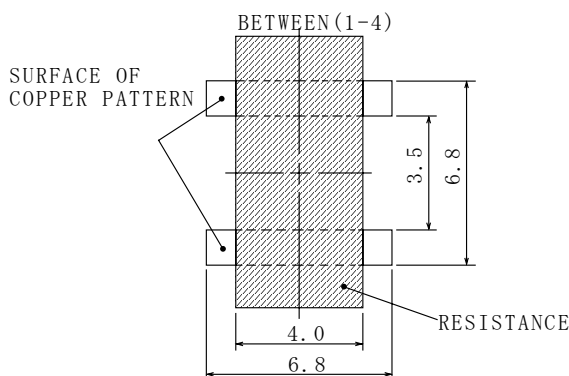
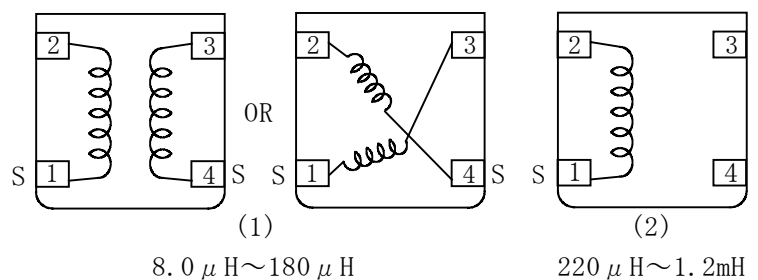


**Type: CDRC62**
**◆ Product Description**

- 6.7×6.7mm Max.(L×W), 2.5mm Max. Height.
- Inductance Range: 8μH~1.2mH
- Rated current range: 62mA~764mA
- 4 Terminal pins' type gives a flexible design as inductors or transformers(SEPIC,ZETA circuit).


**◆ Feature**

- Magnetically shielded construction.
- Ideally used in portable devices such as DVD,DSC/DVC,MP3,PDA,HDD etc as DC-DC Converter inductors.
- RoHS Compliance

**◆ Dimensions (mm)**

**◆ Land Pattern (mm)**

**◆ Schematics(Bottom)**


**Type: CDRC62**
**◆ Specification(Used as inductors)**

| Part name<br>※ | Stamp | Inductance<br>[within]<br>※ 1 | D.C.R.(Ω)<br>Max.(Typ.)<br>(at 20°C) | Rated<br>Current<br>(mA)※2 | S.R.F.<br>(MHz)<br>[Typ.] |
|----------------|-------|-------------------------------|--------------------------------------|----------------------------|---------------------------|
| CDRC62NP-8R0N□ | 8R0   | 8 μH ± 25%                    | 0.077 (0.062)                        | 764                        | 38.6                      |
| CDRC62NP-100N□ | 100   | 10 μH ± 25%                   | 0.104 (0.083)                        | 712                        | 33.9                      |
| CDRC62NP-150N□ | 150   | 15 μH ± 25%                   | 0.131 (0.105)                        | 556                        | 27.6                      |
| CDRC62NP-220N□ | 220   | 22 μH ± 25%                   | 0.200 (0.160)                        | 467                        | 23.0                      |
| CDRC62NP-330N□ | 330   | 33 μH ± 25%                   | 0.264 (0.211)                        | 374                        | 18.9                      |
| CDRC62NP-390N□ | 390   | 39 μH ± 25%                   | 0.381 (0.305)                        | 354                        | 16.9                      |
| CDRC62NP-470N□ | 470   | 47 μH ± 25%                   | 0.430 (0.344)                        | 320                        | 15.0                      |
| CDRC62NP-560N□ | 560   | 56 μH ± 25%                   | 0.480 (0.384)                        | 290                        | 14.0                      |
| CDRC62NP-680N□ | 680   | 68 μH ± 25%                   | 0.624 (0.499)                        | 248                        | 12.2                      |
| CDRC62NP-820N□ | 820   | 82 μH ± 25%                   | 0.671 (0.537)                        | 237                        | 11.4                      |
| CDRC62NP-101M□ | 101   | 100 μH ± 20%                  | 0.769 (0.615)                        | 212                        | 10.2                      |
| CDRC62NP-121M□ | 121   | 120 μH ± 20%                  | 1.02 (0.816)                         | 194                        | 9.4                       |
| CDRC62NP-151M□ | 151   | 150 μH ± 20%                  | 1.43 (1.14)                          | 174                        | 8.6                       |
| CDRC62NP-181M□ | 181   | 180 μH ± 20%                  | 1.60 (1.28)                          | 160                        | 7.5                       |
| CDRC62NP-221M□ | 221   | 220 μH ± 20%                  | 1.77 (1.42)                          | 142                        | 7.2                       |
| CDRC62NP-271M□ | 271   | 270 μH ± 20%                  | 2.30 (1.84)                          | 130                        | 6.5                       |
| CDRC62NP-331M□ | 331   | 330 μH ± 20%                  | 2.71 (2.16)                          | 117                        | 5.8                       |
| CDRC62NP-391M□ | 391   | 390 μH ± 20%                  | 3.02 (2.42)                          | 108                        | 5.3                       |
| CDRC62NP-471M□ | 471   | 470 μH ± 20%                  | 3.93 (3.14)                          | 98                         | 4.8                       |
| CDRC62NP-561M□ | 561   | 560 μH ± 20%                  | 4.46 (3.57)                          | 91                         | 4.4                       |
| CDRC62NP-681M□ | 681   | 680 μH ± 20%                  | 6.05 (4.84)                          | 83                         | 4.0                       |
| CDRC62NP-821M□ | 821   | 820 μH ± 20%                  | 6.79 (5.43)                          | 75                         | 3.7                       |
| CDRC62NP-102M□ | 102   | 1.0 mH ± 20%                  | 9.98 (7.98)                          | 66                         | 3.3                       |
| CDRC62NP-122M□ | 122   | 1.2 mH ± 20%                  | 11.8 (9.44)                          | 62                         | 3.0                       |

**※ Description of Part Name**

CDRC62NP-8R0N□

|     |   |              |
|-----|---|--------------|
| └── | B | Box          |
| └── | C | Carrier Tape |

※1 : Measuring frequency:    8.0 μH ~ 82 μH    ;    at 100kHz  
    100 μH ~ 1.2mH    ;    at 1kHz

※2: Rated current: The D.C. current at which the inductance decreases to 75% of it's nominal value or when Δt=40°C, whichever is lower(Ta=20°C).