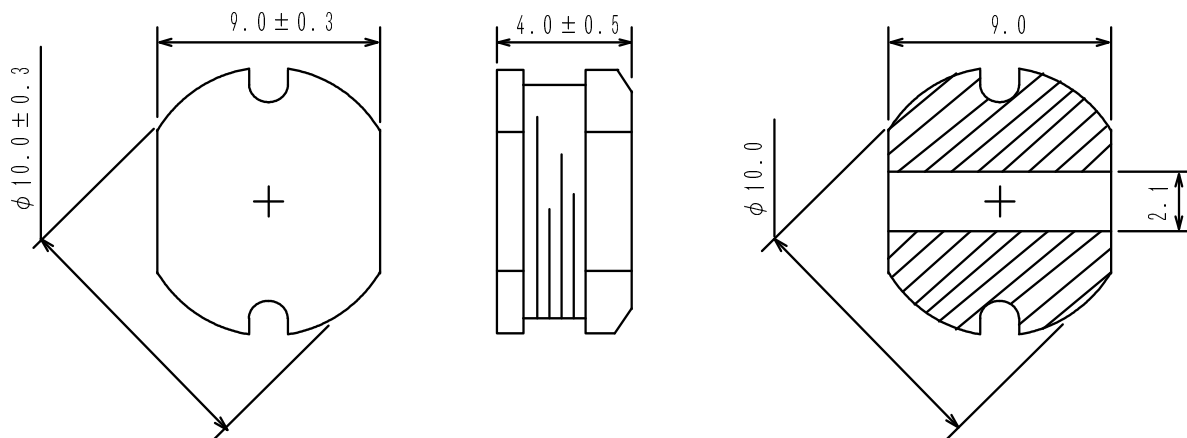
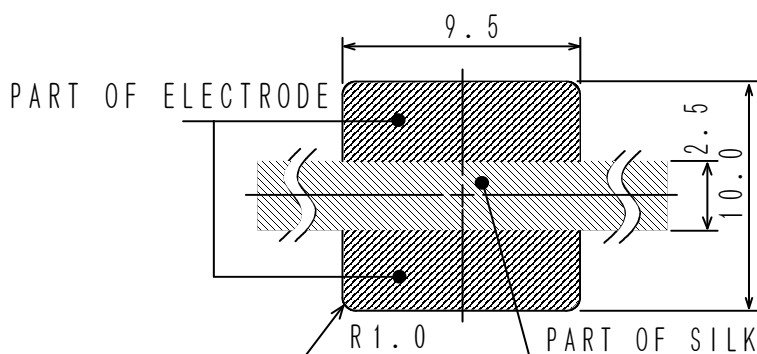


**Type: CD104**
**◆ Product Description**

- 10.3×9.3mm Max.(L×W),4.5mm Max. Height.
- Inductance range: 10~560  $\mu$  H.
- Rated current range: 0.32~2.38A.
- In addition to the standard versions of inductors shown here, custom inductors are available to meet your exact requirements.


**◆ Feature**

- Magnetically unshielded construction.
- Storage temperature range: -40°C~+100°C.
- Operating temperature range: -40°C~+100°C (Including coil's self temperature rise).
- Ideally used in PDA,MP3,DSC/DVC,HDD,Portable DVD,etc as DC-DC converter inductors.
- RoHS Compliance and Halogen Free.

**◆ Dimensions (mm)**

**◆ Land Pattern (mm)**


**Type: CD104**
**◆ Specification**

Part Name ※	Stamp	Inductance ( $\mu$ H) ※1	D.C.R (m $\Omega$ ) [Max.] (TYP.) (at 20°C)	Rated Current (A) ※2	S.R.F. (MHz) (TYP.)
CD104NP-100M□	100M	10 $\pm$ 20%	53(40.8)	2.38	29.9
CD104NP-120M□	120M	12 $\pm$ 20%	61(46.4)	2.13	29.7
CD104NP-150M□	150M	15 $\pm$ 20%	70(53.9)	1.87	25.1
CD104NP-180M□	180M	18 $\pm$ 20%	81(62.2)	1.73	23.0
CD104NP-220M□	220M	22 $\pm$ 20%	88(67.4)	1.60	20.0
CD104NP-270M□	270M	27 $\pm$ 20%	100(77.2)	1.44	18.5
CD104NP-330M□	330M	33 $\pm$ 20%	120(92.0)	1.26	16.9
CD104NP-390M□	390M	39 $\pm$ 20%	151(116.1)	1.20	14.9
CD104NP-470M□	470M	47 $\pm$ 20%	170(130.6)	1.10	13.8
CD104NP-560K□	560K	56 $\pm$ 10%	199(152.7)	1.01	12.6
CD104NP-680K□	680K	68 $\pm$ 10%	223(171.6)	0.91	10.4
CD104NP-820K□	820K	82 $\pm$ 10%	252(194.1)	0.85	10.0
CD104NP-101K□	101K	100 $\pm$ 10%	344(264.9)	0.74	9.42
CD104NP-121K□	121K	120 $\pm$ 10%	396(304.7)	0.69	8.74
CD104NP-151K□	151K	150 $\pm$ 10%	544(418.1)	0.61	7.29
CD104NP-181K□	181K	180 $\pm$ 10%	621(477.7)	0.56	6.53
CD104NP-221K□	221K	220 $\pm$ 10%	721(554.5)	0.53	5.85
CD104NP-271K□	271K	270 $\pm$ 10%	949(730.3)	0.45	5.51
CD104NP-331K□	331K	330 $\pm$ 10%	1100(845.8)	0.42	4.91
CD104NP-391K□	391K	390 $\pm$ 10%	1245(957.5)	0.38	4.32
CD104NP-471K□	471K	470 $\pm$ 10%	1526(1220.6)	0.35	4.06
CD104NP-561K□	561K	560 $\pm$ 10%	1904(1522.9)	0.32	3.55

**※ Description of part name**

CD104NP-100M□

— B: Box  
 — C: Carrier Tape

※1: Measuring frequency: 10  $\mu$  H $\sim$ 82  $\mu$  H ; at 2.52 MHz  
 100  $\mu$  H $\sim$ 560  $\mu$  H ; at 1 kHz

※2: Rated current: The DC current at which the inductance decreases to 90 % of it's initial value or when  $\Delta t=40^{\circ}\text{C}$ , whichever is lower( $T_a=20^{\circ}\text{C}$ ).