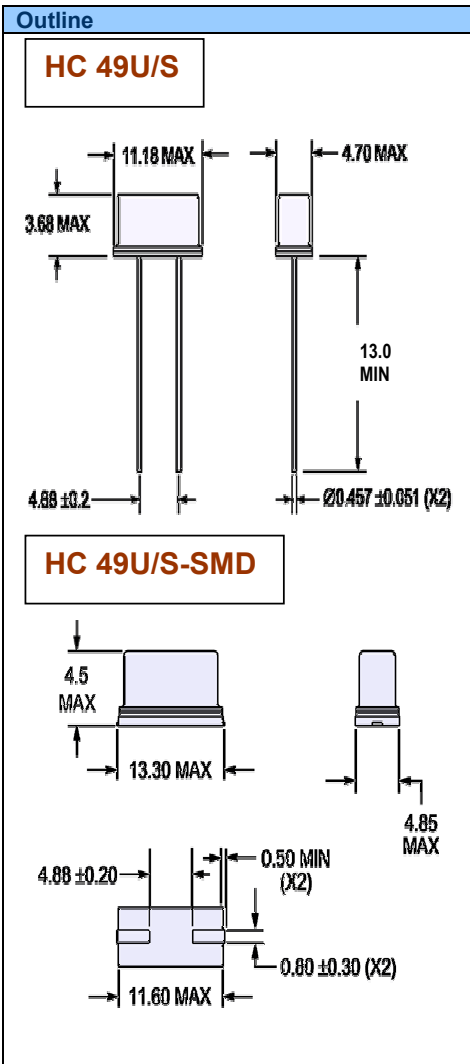




QUARTZ CRYSTAL HC 49U/S & HC 49U/S-SMD

FEATURE

- All metal welded package
- Wide frequency range from 3 MHz up to 75 MHz



Frequency Range	3 MHz to 75 MHz
Frequency Adjustment Tolerance at 25° C	± 20 ppm Standard ±5 ppm to ±100 ppm available
Operating Temperature Range	-10°C to +60°C Standard Select from table below
Frequency Stability	±20 ppm Standard Select from table below
ESR	Select from table below
Drive level	0.1 m W to 1m W
Shunt Capacitance C0	7.0 pF max.
Resonance Condition	XXS – series, XXP – Parallel with xx pF (for parallel please specify the xx value in pF) 20 pF Standard 8 pF to 35 pF available
Insulation Resistance	500 (DC 500 ± 10V) min.
Ageing	± 5 PPM / Year Max.

Codes	Stability Codes Frequency stability range	B	D	E	F	G _s	M
		±5 PPM	±10 PPM	±15 PPM	±20 PPM	±30 PPM	±50 PPM
A	0 to +50° C						
D	-10 to +60° C				■		
C	-20 to +70° C					■	
G	-30 to +80° C						
I	-40 to +85° C						

■ Denotes Available □ Denotes not Available ■ Recommended

Frequency Range By Mode Of Oscillation	
Fundamental	3rd Overtone
3.0 to 33.5 MHz	26.0 to 40.0 MHz

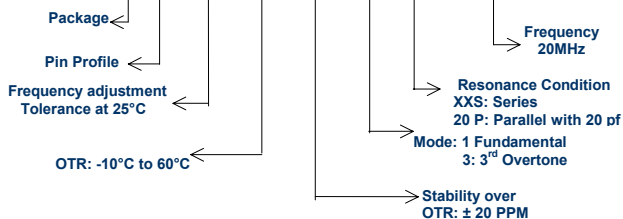
Max Equivalent Series Resistance Table			
Frequency Range MHz	ESR	Frequency Range MHz	ESR
Fundamental		3rd Overtone	
3.0 to 3.5	300 Ω	26.0 to 40.0	100Ω
3.5 to 3.8	150 Ω		
3.8 to 4.1	120 Ω		
4.1 to 5.0	100 Ω		
5.0 to 6.0	80 Ω		
6.0 to 8.0	70 Ω		
8.0 to 10.0	60 Ω		
10.0 to 12.0	50 Ω		
12.0 to 28.0	40 Ω		
28.0 to 33.5	30 Ω		

Pin Profile	Code
2 Pin Straight	2
2 Pin SMD	S

Ordering Information

Example

49S 2 F D F 1 20 P 20M000



Specifications subject to change without notice
Revision No. 11 of January 2006

ANDHRA ELECTRONICS LIMITED

34 & 35, IDA, Kakinada, AP – 533 005,
INDIA.
URL: www.andhraelec.com

Phone: +91-884-2342203
Fax: +91-884-2341145
E-mail: info@andhraelec.com