

# MESSRS.

## SPECIFICATION FOR APPROVAL

### 承 认 书

Product	MAGNETIC BUZZER
Part No.	AD-7504-BA3
Customer Approval	

Approved By	Checked By	Made By
工程部 王台平 JAN-16-2006	工程部 丁晓娥 JAN-16-2006	工程部 吕玲 JAN-16-2006



常 州 立 翔 电 子 有 限 公 司  
常 州 华 龙 电 子 有 限 公 司

ADVANCED ACOUSTIC TECHNOLOGY CORP.

Head Office / 台北 莒翔科技股份有限公司

Tel: +886-2-88665255 Fax: +886-2-88665250



ISO 9001 Certified

常州公司/工厂

中国江苏省常州市新区创新科技楼南区 A 座 4 楼

Tel: +86-519-5112382, 86-519-5106698, Fax: +86-519-5100908

http:// [www.aatc.com.tw](http://www.aatc.com.tw) [www.aatc.com.cn](http://www.aatc.com.cn)

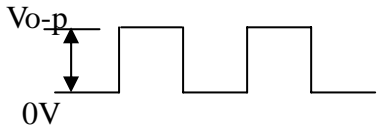
EDITION:1.1

# AD-7504-BA3

## FEATURES

Compact : rich sound magnetic buzzer.

Applications : Mobile phone , PDA , pager etc.

Items		Units	Specifications	Conditions
01	Rated Voltage	Vo-p	3.6	
02	Operating Voltage	Vo-p	3 ~ 4.5	
03	Consumption Current	mA (max)	100	Standard State, Standard Drive Circuit. Rated Voltage, Rated Frequency Square Wave 1 / 2 Duty Distance at 10 cm free air
04	Sound Pressure Label	dB (min)	87	
05	Resonant Frequency	Hz	2700	
06	Coil Resistance	$\Omega$	$15 \pm 3$	At Basic State
07	Operating Temp.	$^{\circ}\text{C}$	-30 ~ +75	
08	Storage Temp.	$^{\circ}\text{C}$	-40 ~ +85	
09	Weight	Gram	0.5	

## Test Condition

STANDARD

Temperature : 15 ~ 35 $^{\circ}\text{C}$

Relative humidity : 25% ~ 85%,

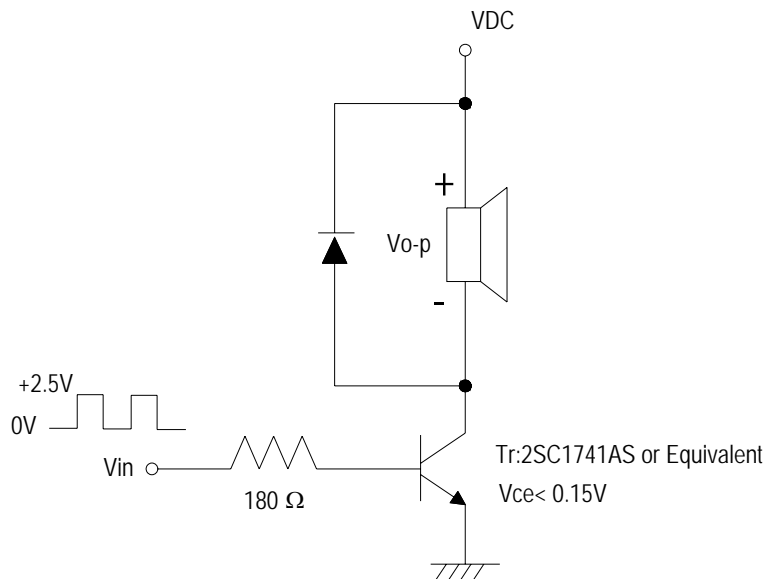
Atmospheric pressure : 860mbar to 1060mbar.

JUDGEMENT

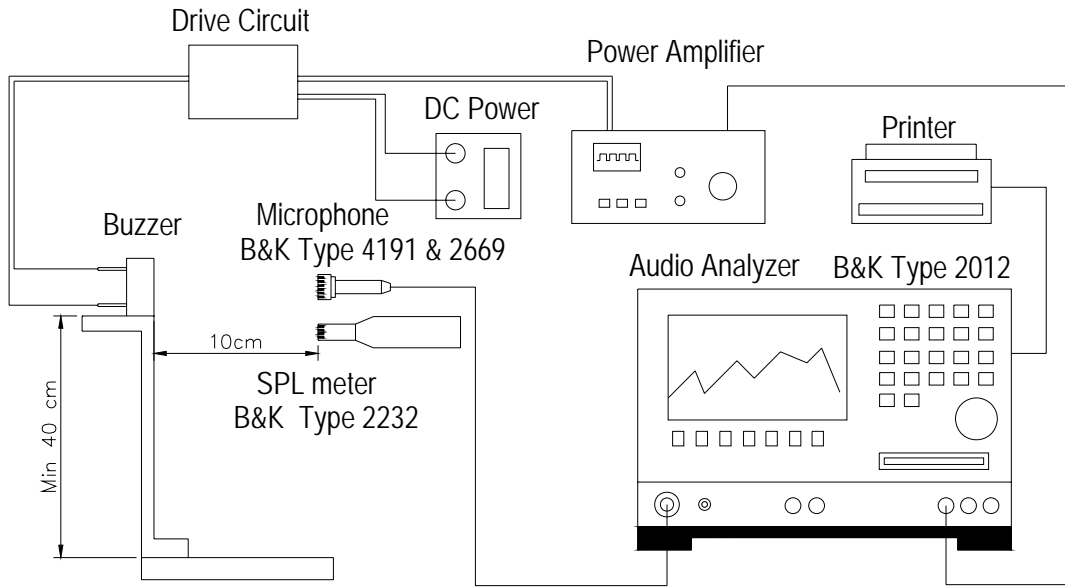
Temperature : 20 $\pm$ 3 $^{\circ}\text{C}$

Relative humidity : 60% ~ 70%,

Atmospheric pressure : 860mbar to 1060mbar

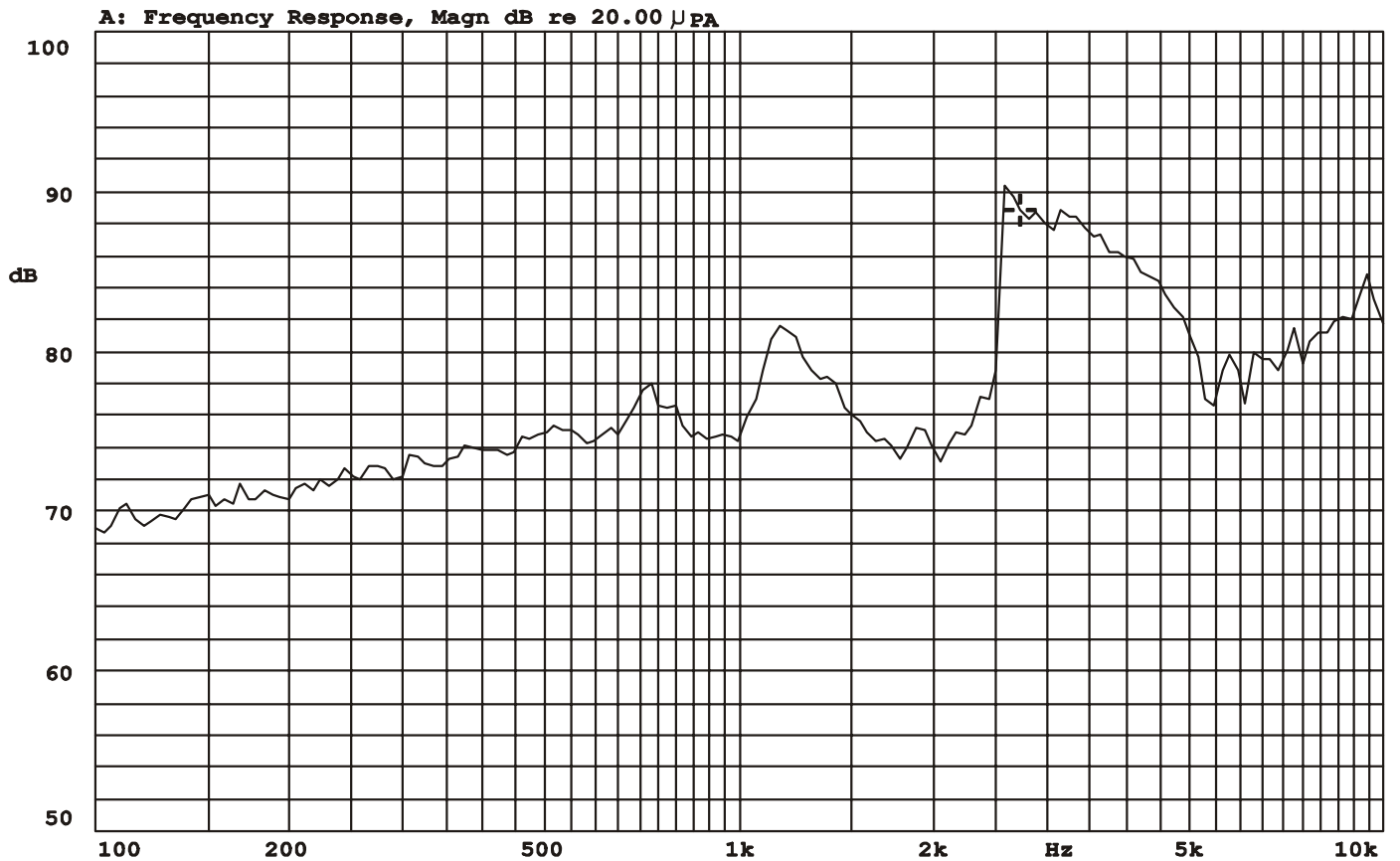


# Standard Test Fixture



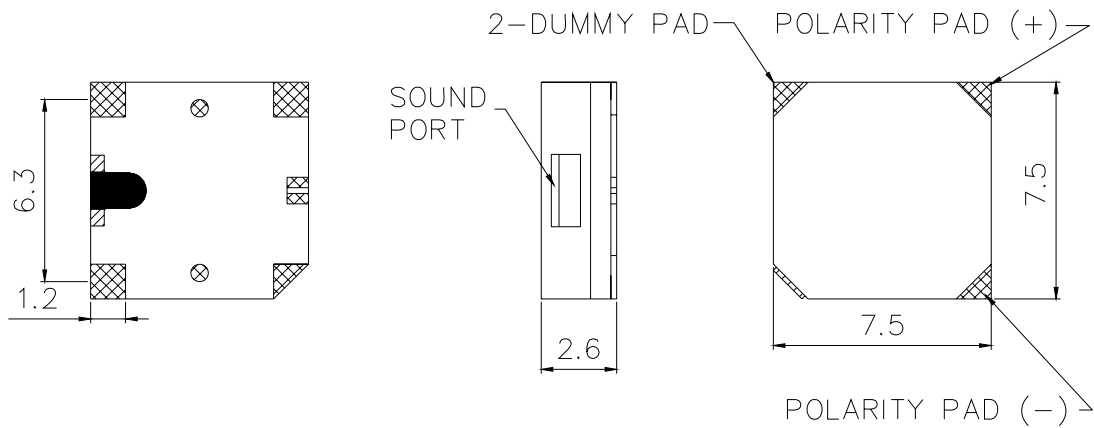
# Frequency Response Curve

X:2.7384kHz Y:88.82dB ZA:Live Curve SSR T. RMS



Mode: SSR

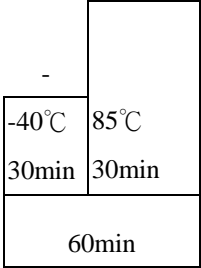
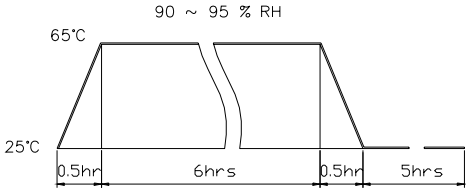




TITLE: SOUND TRANSDUCER (SMD)		DRAWN: <i>Evllen</i> 2006/01/16	SCALE: 4:1	SHEET: 1 OF 1
PART NO. AD-7504-BA3	1 REV	DESIGNED: R&D OF AAT	UNITS: mm	
DWG NO. DTE-1224		CHECKED:	TOLERANCE ± 0.2	
		APPROVAL:	UNLESS OTHERWISE SPECIFIED:	
		MATERIAL: LCP	ONE PLACE DECIMAL ± ***	
			TWO PLACE DECIMAL ± ***	
			THREE PLACE DECIMAL ± ***	



# RELIABILITY TEST

Item		Test conditions	Evaluation standard
01	High temp.Storage life	The part shall be capable of withstanding a storage Temperature of 85°C for 96 hours.	<p>After the test the part shall meet specifications without Any degradation in appearance and performance except S.P.L S.P.L shall be 79dB or more.</p>
02	Low temp.Storage life	The part shall be capable of withstanding a storage Temperature of -40°C for 96 hours.	
03	Temp. cycle	<p>The part shall be subjected 10 cycles. One cycle shall consist of;</p> 	
04	Temp./Humidity cycle	<p>The part shall be subjected 10 cycles. One cycle shall be 12 hours and consist of;</p> 	
05	Operating life	<p>Rated Voltage, Frequency applied.</p> <ol style="list-style-type: none"> <li>Ordinary temperature The part shall be subjected to 1000 hours at room temperature (25 ±10°C)</li> <li>High temperature The part shall be subjected to 500 hours at 75°C</li> <li>Low temperature The part shall be subjected to 500 hours at -30°C</li> </ol>	
06	Vibration	The part shall be subjected to a vibration cycle of 10Hz to 55Hz to 10Hz in a period of 1 minute. Total peak amplitude shall be 1.52mm (9.3G). The vibration test shall consist of 2 hours per plane in each three mutually perpendicular planes for a total time of 6 hours.	
07	Fixed drop	The part shall be mounted on standard pc board and dropped from a height of 152cm onto a concrete floor 5 times in each 6 planes.(a total of 30 times)	

Item		Test conditions	Evaluation standard
08	Free drop	The part only shall be dropped from a height of 75cm onto a 40mm thick wooden board 3 times in 3 axes (X.Y.Z). (a total of 9 times).	
10	Lead strength	Pull lead with a force of 10N, on the direction of the lead axis for 10 :10±1 sec	
11	Washability	Solvent : deionized water Solvent temp. : 55±5°C Soaking time : 5±0.5 min.	

## SOLDER ABILITY

Temperature profile for reflowable Buzzer .

